

# baby jogger®

## city mini® GT2

Pushchair

CITY  
MINI® GT2

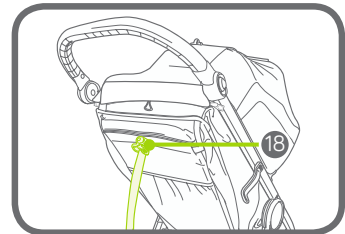
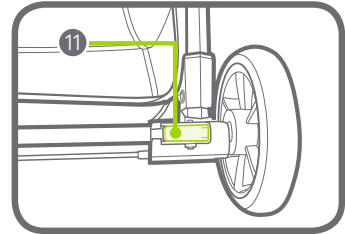
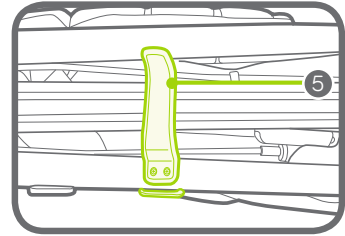
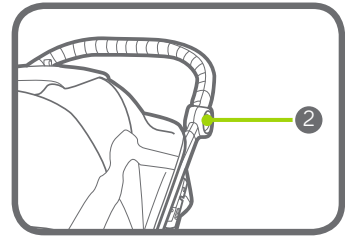
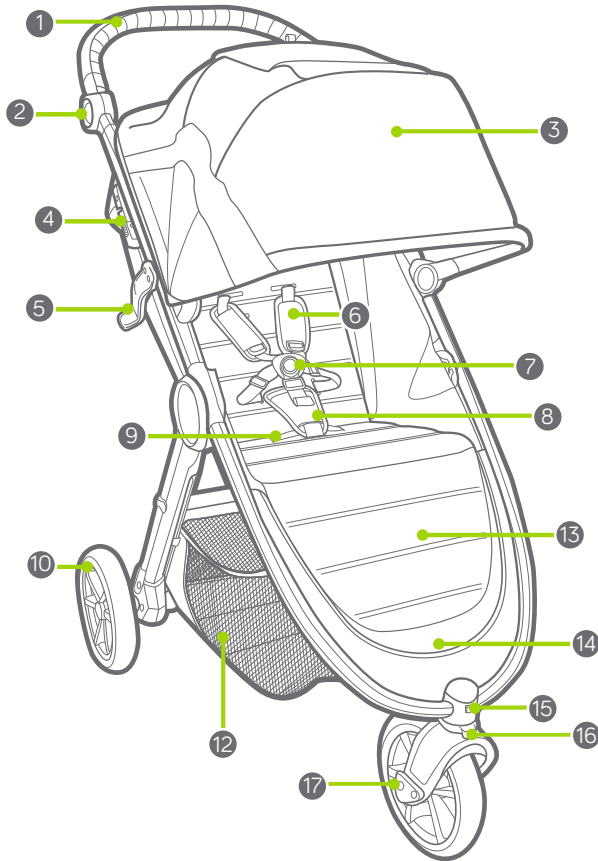


ASSEMBLY INSTRUCTIONS  
INSTRUCTIONS D'ASSEMBLAGE  
INSTRUCCIONES DE MONTAJE  
ISTRUZIONI PER IL MONTAGGIO  
GEBRAUCHSANLEITUNG  
NÁVOD K SESTAVENÍ  
SAMLINGSANVISNINGER  
KOKOAMISOHJEET  
**ΟΔΗΓΙΕΣ ΣΥΝΑΡΜΟΛΟΓΗΣΗΣ**  
UPUTE ZA SASTAVLJANJE  
ÖSSZESZERELÉSI UTASÍTÁSOK  
MONTAGE-INSTRUCTIES  
MONTERINGSANVISNING  
INSTRUKCJA MONTAŻU  
INSTRUÇÕES DE MONTAGEM  
**INSTRUCȚIUNI DE ASAMBLARE**  
**ИНСТРУКЦИИ ПО СБОРКЕ**  
UPUTSTVA ZA SASTAVLJANJE  
NÁVOD NA MONTÁŽ  
NAVODILA ZA SESTAVO  
MONTERINGSINSTRUKTIONER  
MONTAJ TALIMATLARI  
إرشادات التجميع

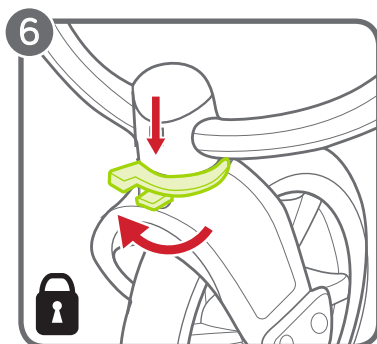
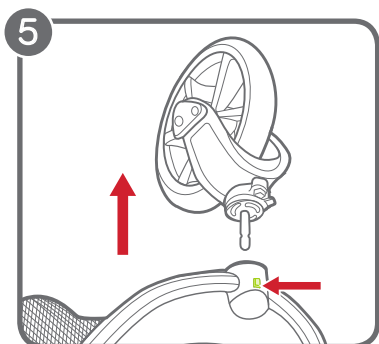
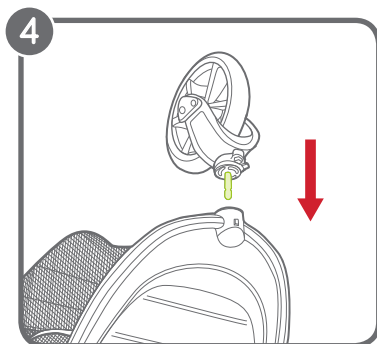
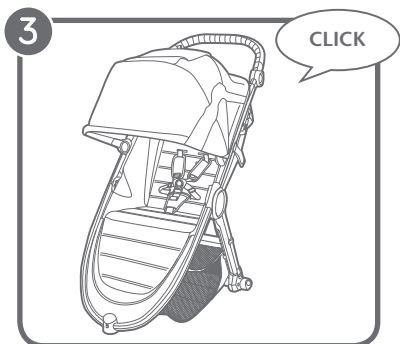
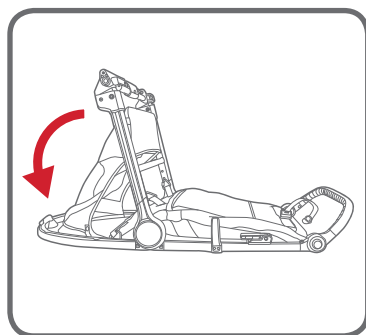
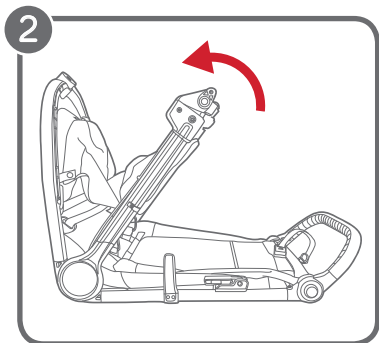
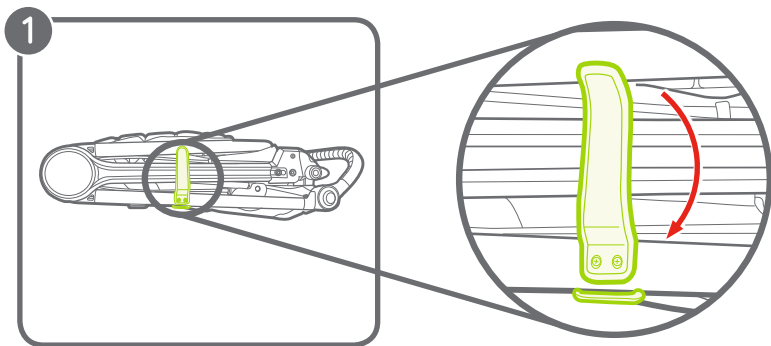
©2018 Baby Jogger NWL0000900948B 4/19

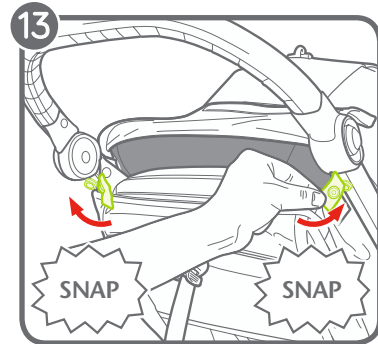
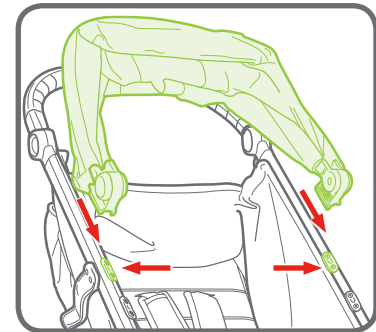
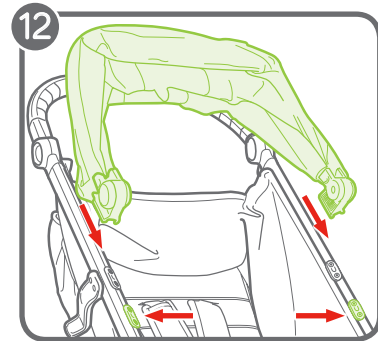
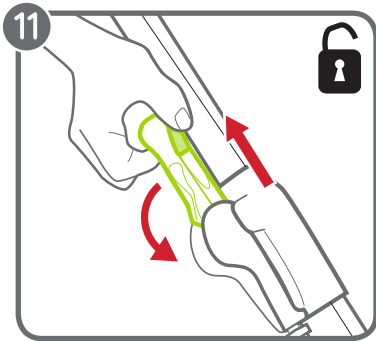
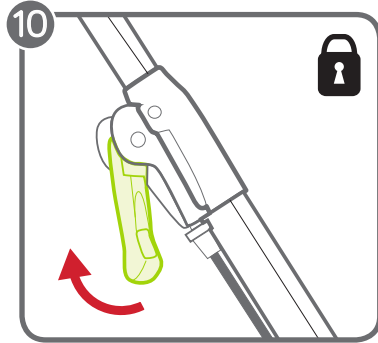
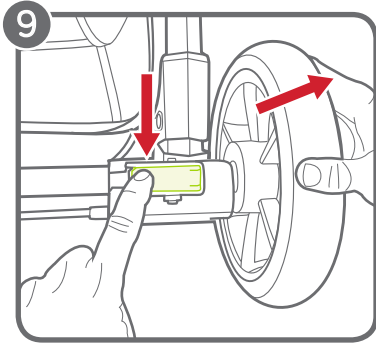
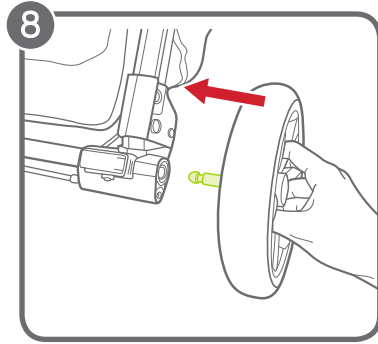
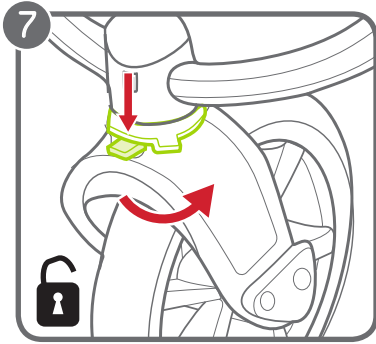
**IMPORTANT:** READ CAREFULLY AND KEEP FOR FUTURE REFERENCE.  
Your child's safety may be affected if you do not follow these instructions.

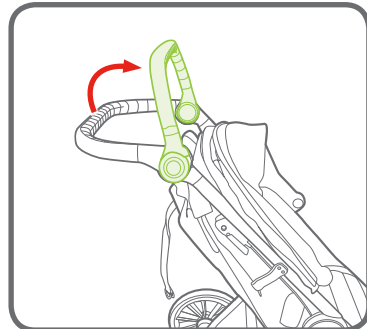
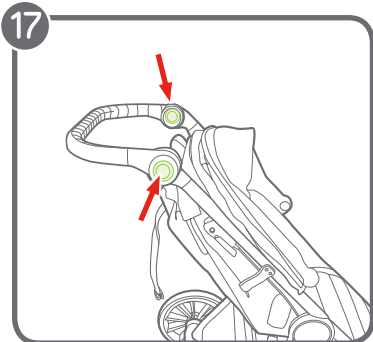
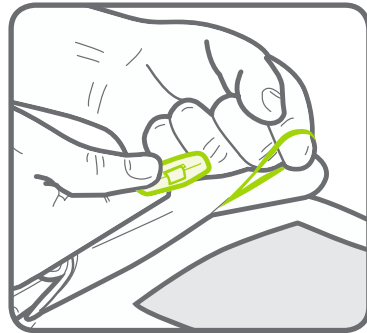
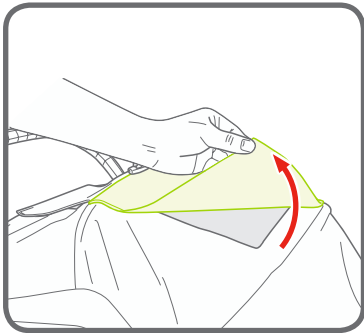
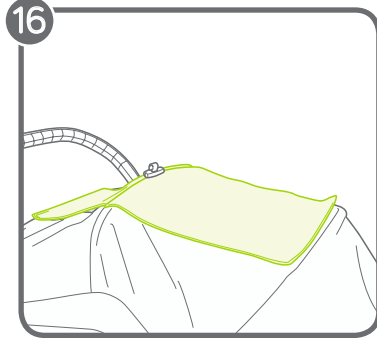
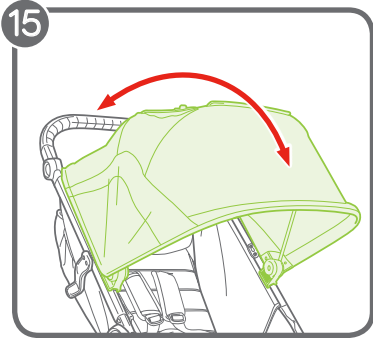
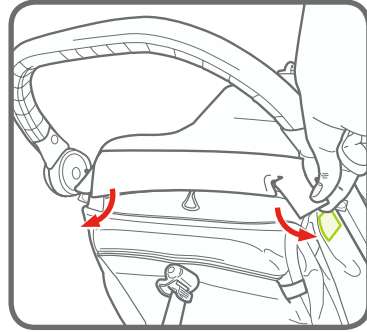
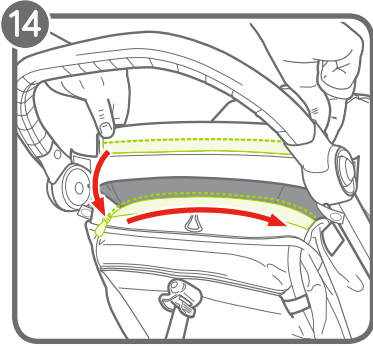
[babyjogger.com](http://babyjogger.com)

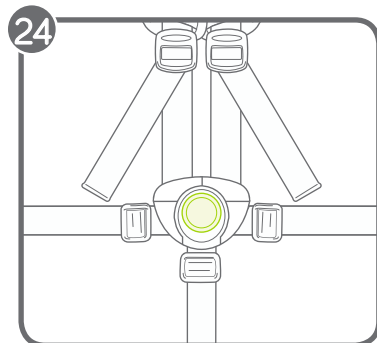
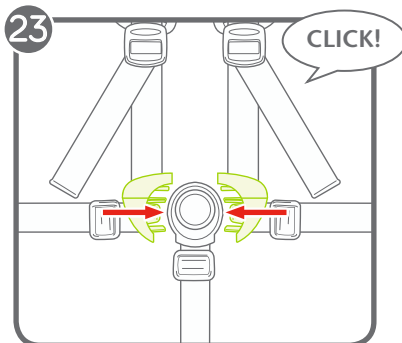
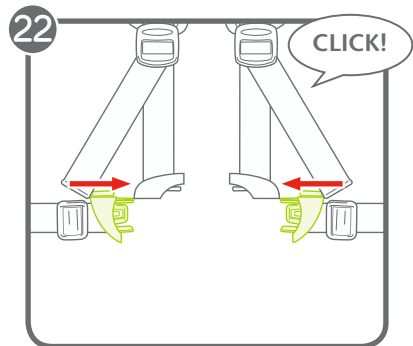
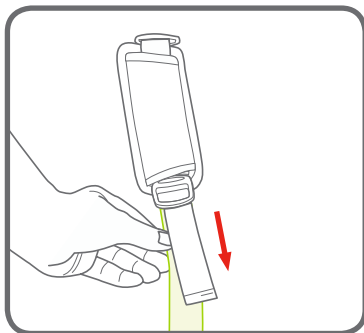
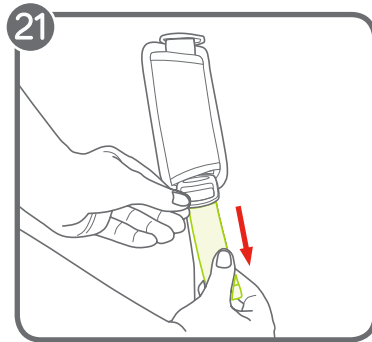
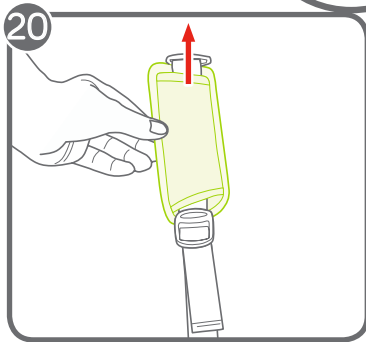
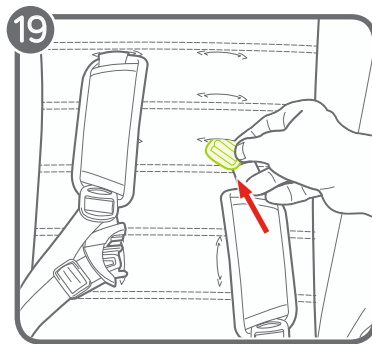
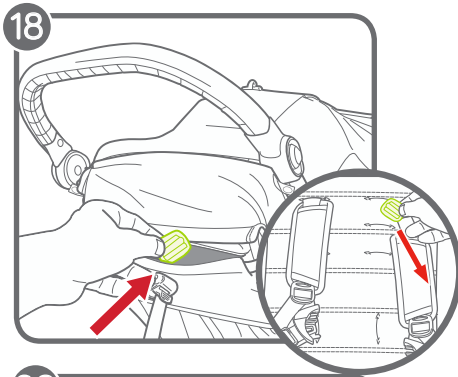


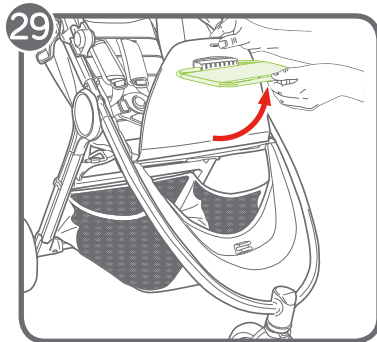
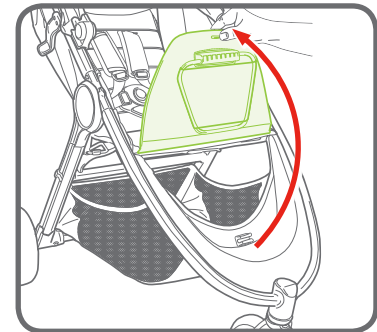
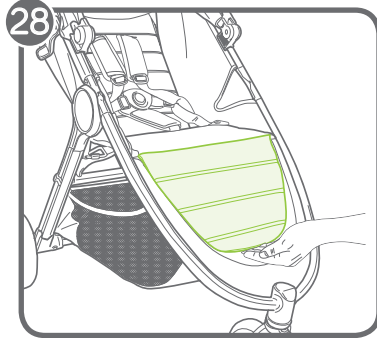
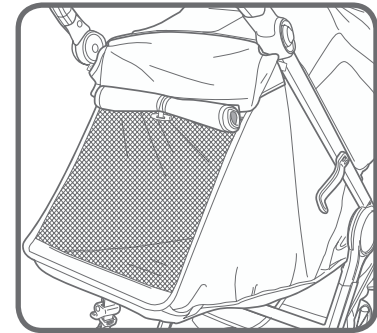
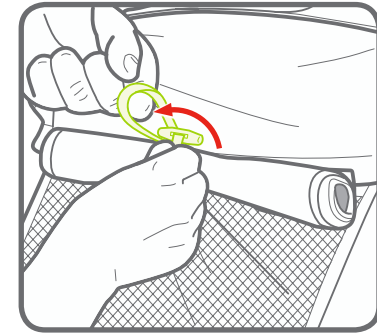
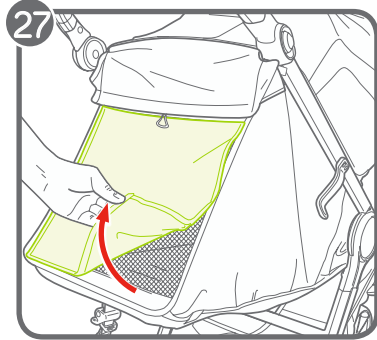
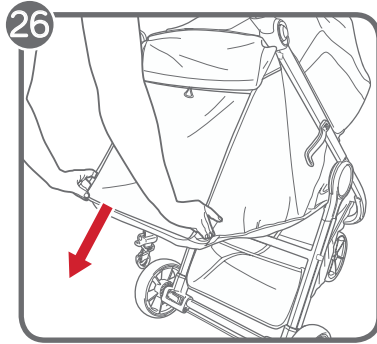
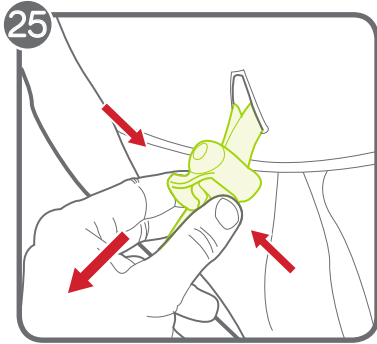
- |   |                       |    |                            |
|---|-----------------------|----|----------------------------|
| 1 | Handlebar             | 10 | Rear Wheel                 |
| 2 | Handlebar Fold Button | 11 | Rear Wheel Release Button  |
| 3 | Canopy                | 12 | Storage Basket             |
| 4 | Parking Brake         | 13 | Leg Support                |
| 5 | Auto-lock             | 14 | Footwell                   |
| 6 | Harness Pads          | 15 | Front Wheel Release Button |
| 7 | Harness Buckle        | 16 | Swivel/Lock                |
| 8 | Crotch Strap Pad      | 17 | Front Wheel                |
| 9 | Fold Strap            | 18 | Seat Recline Strap         |

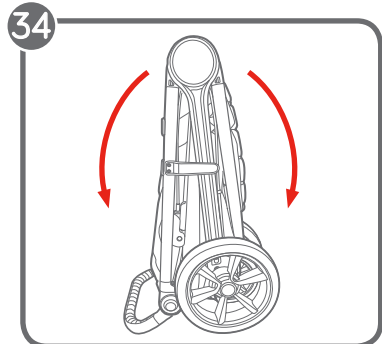
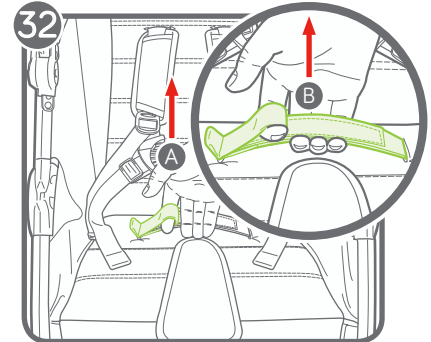
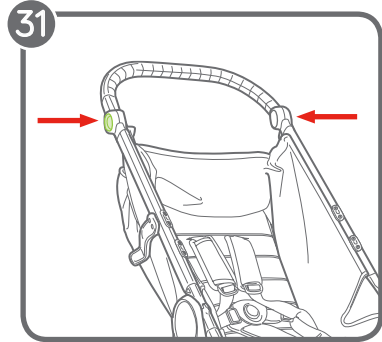
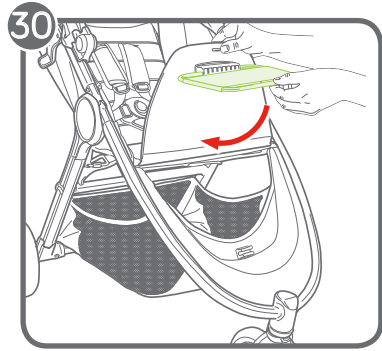
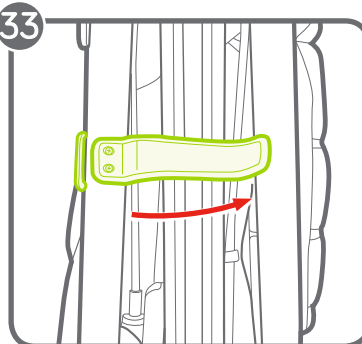
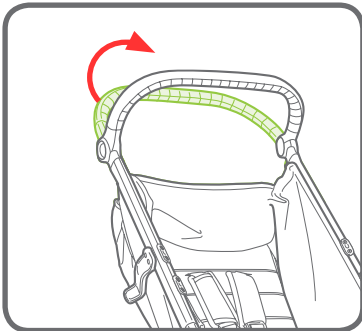
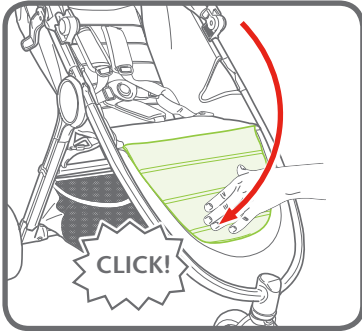
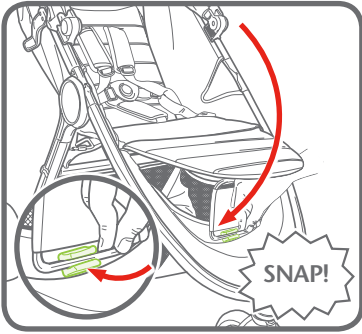




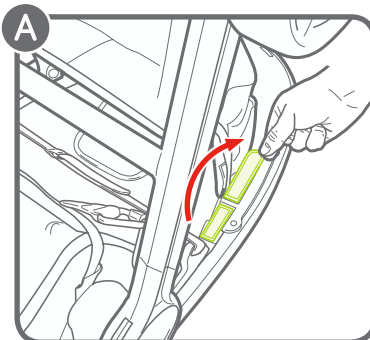
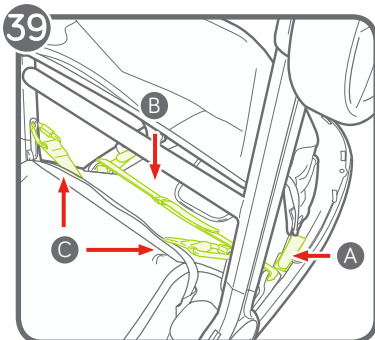
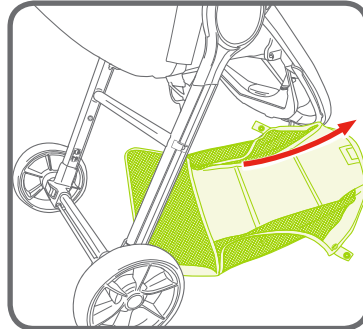
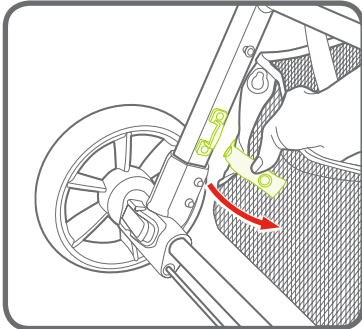
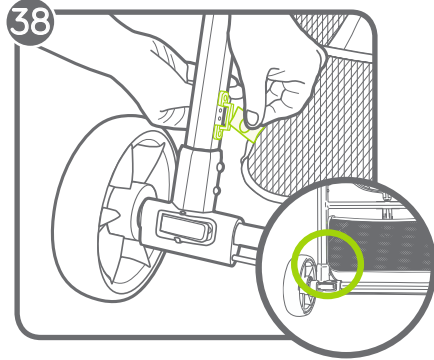
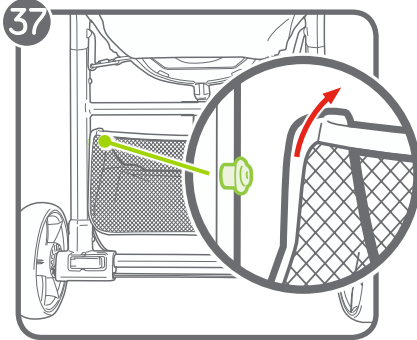
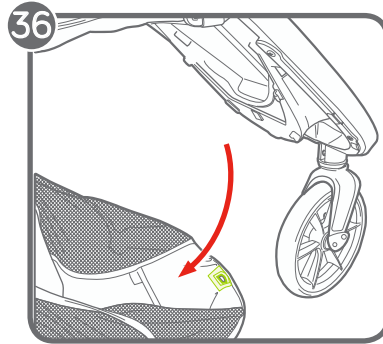
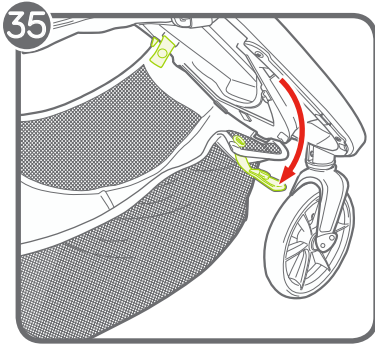


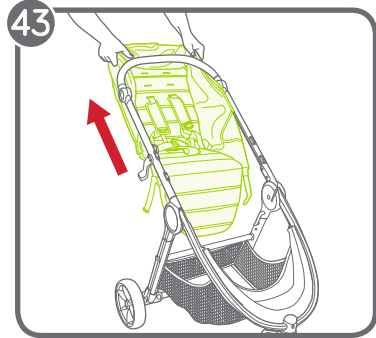
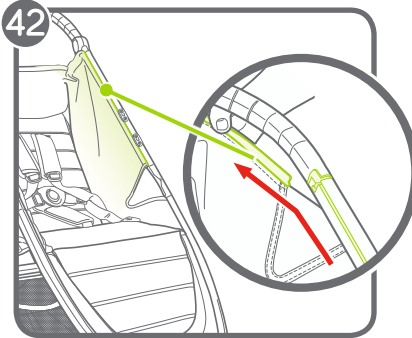
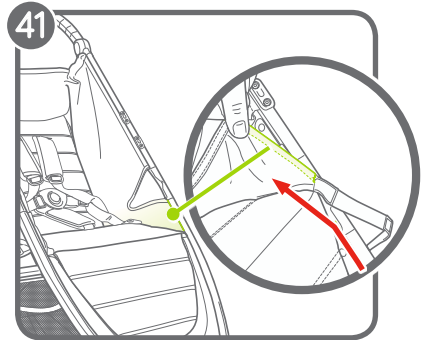
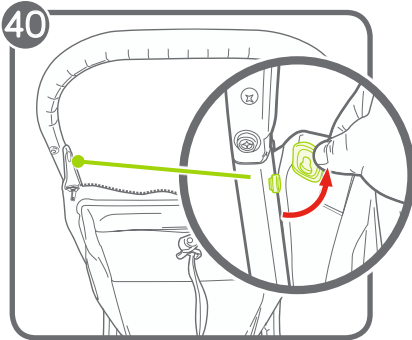
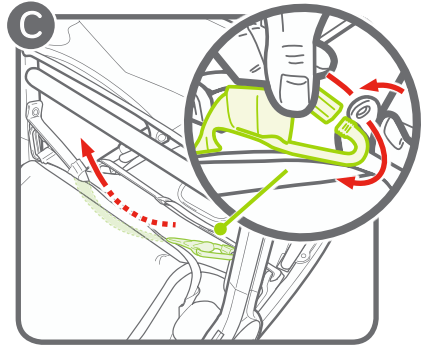
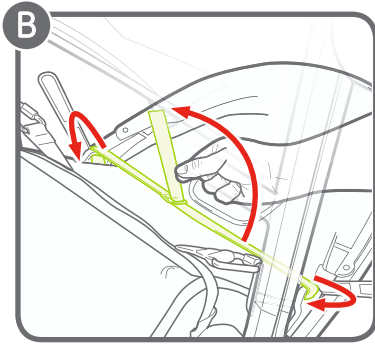












## WARNING

**IMPORTANT** - Read carefully and keep for future reference.  
Your child's safety may be affected if you do not follow these instructions.

### WARNING

- Never leave the child unattended.
- Always use the restraint system.
- This product is not suitable for running or skating
- Ensure that all the locking devices are engaged before use.
- To avoid injury, ensure that the child is kept away when unfolding and folding this product.
- To prevent injury, remove Child Tray or Belly Bar accessory when folding or unfolding the stroller.
- Do not let the child play with this product.

### ADDITIONAL SAFETY INFORMATION

- This pushchair seats one passenger. NEVER allow more than one child at a time on this stroller.
- on the sides of the vehicle will affect the stability of the vehicle.
  - For new born babies we recommend always to use the most reclined seat position.
  - Lock the brakes before loading and unloading your child and whenever the pushchair is not moving.
  - Ensure that the brake is properly engaged by moving the pushchairslightly back and forth.
  - Pushchair is not meant to be used for transporting children up or down stairs or escalators. Damage resulting to pushchair will not be covered under warranty.
  - Accessories which are not approved by Baby Jogger shall not be used.
  - Watch out for cars - never assume that a driver can see you and your child.
  - The passenger shall remain seated (no standing in the stroller).
  - Use only replacement parts supplied or approved by Baby Jogger.



max 22 kg

- The seat unit is suitable for one child from birth up to 22 kg.
- Total weight load recommended for this pushchair is 28 kg, 22 kg in the seat, 1 kg in the seat back pocket, and 4.5 kg in the basket. Excessive weight may cause a hazardous unstable condition to exist.
- For car seats used in conjunction with a chassis, this vehicle does not replace a cot or a bed. Should your child need to sleep, then it should be placed in a suitable pram body, cot or bed.
- Any load attached to the handle and/or on the back of the backrest and/or

## FRAME

- 1 Unpack the pushchair frame from the box and set the wheels aside. Unlock the pushchair by pulling the storage lock Lever.
- 2 Unfold the pushchair by pulling the handlebar away from the frame. Then lift the handlebar away from the seat. The pushchair will lock into place and you will hear a click.
- 3 Place the pushchair in the upright position.

**⚠ WARNING:** Ensure that all the locking devices are engaged before use.

## FRONT WHEEL

- 4 Installation
  - Lay pushchair on its back so the handlebar is resting on the floor.
  - Attach the Front Wheel by sliding it into the front wheel mount until it clicks. Gently pull on the Front Wheel to make sure it is properly attached.
- 5 Removal
  - While pressing the front wheel release button, gently slide the Front Wheel out of the front wheel mount.

## SWIVEL FEATURE

- 6 Push the swivel button down and rotate to the left to lock the front wheel assembly in a fixed position for long distance strolling.
- 7 Push the swivel button down and rotate to the right to allow the front wheel assembly to swivel.

**⚠ WARNING:** When loading and unloading child, lock the front wheel in a fixed position. Although the front wheel of your pushchair lock, it is not intended for jogging or exercise purposes.

## REAR WHEELS

- 8 Installation
  - Align the rear wheel axle with the wheel mount on the pushchair frame and insert it into the wheel mount until it locks into place. You will hear a click.
  - Gently pull on the rear wheel to make sure it is properly attached.
- 9 Removal

- While pressing down on the wheel release button, gently slide the rear wheel out of the wheel mount.

## BRAKE

- 10 To Lock the Brakes: gently pull the Brake Lever into upright position until it clicks into place.
- 11 To Release the Brakes: Pinch the gray tabs and pull the lever towards you. Push the Brake Lever down until it is parallel with the frame.

**⚠ WARNING:** Lock the brakes before loading and unloading your child and whenever the pushchair is not moving.

## CANOPY

- 12 Attach the canopy to the frame by sliding the canopy onto one of two mounting brackets. To remove, slide canopy off of mounts.
 

NOTE: When using a City Go/ Graco or Britax car seat, the canopy must be in the top position. For all other carseats, canopy must be removed.

- 13 Snap the two snaps to the pushchair frame.
- 14 Zip the back of the seat to the canopy top. Attach the 2 fastening strips on the side of the canopy.
- 15 Pull forward to open canopy and push backwards to close canopy.
- 16 There are two canopy windows, a top one and back one. To use them, roll the shade up towards the top and secure with the elastic and button.

## HANDLE

- 17 To change the handle to one of 6 use positions, press the handle release buttons on both sides and rotate up or down to the new position.

## ADJUSTING SAFETY HARNESS

- 18 From the back of the seat, unfasten and open the pocket to locate the plastic square stopper. Turn stopper and pass through the openings in the PE board

and seat fabric.

- 19 Reinsert stopper at seat opening closest to child's shoulders. Pass back through seat fabric and PE board. Tug on strap to ensure stopper is locked. Repeat on both sides.

**⚠ WARNING:** Avoid serious injury from falling or sliding out. Always properly adjust and fasten safety harness.

**⚠ WARNING:** Always use the crotch strap in combination with the shoulder straps and waist belt.

- 20 Slide the harness pads up to access plastic guide on strap.
- 21 Hold the plastic guide and pull strap to tighten or loosen.

### USING SAFETY HARNESS

- 22 Insert side strap buckle into harness buckle on both sides.
- 23 Insert connected harness and side strap buckles into the sides of the crotch buckle.
- 24 Press button on crotch buckle to release.

### RECLINE THE SEAT

- 25 Pinch the clamp behind the seat, and slide it down to desired recline.
- 26 Pull seat down on both sides to match the clamp position. Reverse steps to return to the upright position.

**⚠ WARNING:** When making adjustments to the stroller seat, make sure child's head, arms, and legs are clear of moving seat parts and pushchair frame.

- 27 For extra ventilation, roll up the seat back flap and secure with elastic and button.

### LEG SUPPORT

- 28 To use the leg support, lift the front of the seat pad.
- 29 Rotate the support arm out and lower the seat pad. Lock the support arm.
- 30 To lower leg support, reverse the steps.

### FOLDING

- Remove your child from the seat.
- Disengage front wheel swivel locks.
- Remove all attachments and all items from basket.

**WARNING:** To prevent injury, remove

**⚠** Child Tray or Belly Bar accessory when folding or unfolding the stroller.

- 31 Press buttons on both sides of frame. Rotate handle up.
- 32 **A.** Insert finger into loop and pull up, then **B.** Pull up on the "Pull to Fold" folding handle and let the frame collapse.
- 33 Make sure the auto-lock lever clicks into place.
- 34 Place pushchair upright in standing position.

### BASKET REMOVAL

- 35 From the front of the pushchair, unsnap the 2 snaps and pull the straps out of the foot well.
- 36 Lift basket off the hook.
- 37 From the back, lift the top of the basket off the tab on both sides of the frame.
- 38 Remove the strap from the C clamp on both sides of frame.

### REMOVING THE SEAT FABRIC

- 39 Flip the pushchair over to expose the seat bottom.
  - A Unfasten the 2 fastening strips and pull them out of the pushchair frame.
  - B Unfasten the fastening strip and pull them out of the sides of the pushchair frame.
  - C Unscrew the right carabiner hook and pull strap out from the seat pad.
- 40 Flip the seat back over on its wheels. Pull seat fabric up and off of buttons.
- 41 Starting from the bottom, slide the seat pad out from the stroller frame on both sides.
- 42 From the top, slide the seat pad out of the frame on both sides.
- 43 Remove seat fabric. Reverse the steps to reattach the seat pad to the frame.

**⚠ WARNING:** Make sure that all fasteners are properly closed when re-attaching the seat pad.

# CARE AND MAINTENANCE

To preserve the longevity of your pushchair, it is important to perform simple, regular maintenance. From time to time, make sure that the joints and folding areas are still in good condition. If you hear any squeaking or feel tension, you can take your pushchair to a local bike shop for added lubrication. All repairs should only be carried out by an authorized dealer.

## WASHING

### Seat Fabric

- You can hand wash your pushchair's seat in cold water with a mild detergent.
- Be sure to remove the metal frame and PE boards from the seat before washing.
- Do not use solvents, caustic or abrasive cleaning materials.
- To minimize shrinkage, simply reattach the seat to the frame to dry.
- Do not press, iron, dry clean, tumble dry or wring the fabric.
- If the seat covers need to be replaced, only use parts from a Baby Jogger Authorized Dealer. They are the only ones that are guaranteed to have been safety tested and designed to fit this seat.

### Plastic/Metal Parts

- Wipe clean using a mild soap and warm water.
- You must not remove, dismantle or alter any part of the seat folding mechanism or brakes.

### Wheel Care

- The wheels can be cleaned using a damp cloth. They will need to be dried completely with a soft towel or cloth.

## STORING

- Sunshine can fade seat fabric and dry out tires, so storing your pushchair indoors will prolong its good looks.
- DO NOT store outside.
- Ensure that the pushchair is dry before storing for prolonged periods.
- Always store the pushchair in a dry environment.
- Store the pushchair in a safe place when not in use (i.e. where children cannot play with it).
- DO NOT place heavy objects on top of the pushchair.
- DO NOT store the pushchair near a direct heat source such as a radiator or fire.

# Baby Jogger's Limited Lifetime Warranty:

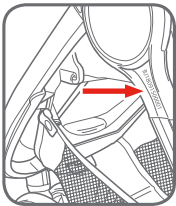
Baby Jogger warrants that the frame is free of manufacturer defects for the lifetime of the product. Manufacturer's defects include but are not limited to the breaking of welds and frame tube damage. Textile or soft side materials and all other components shall be warranted for one year from the date of purchase (except for tubes and tires). Proof of purchase is required to make a warranty claim and the warranty is only extended to the original purchaser.

## THIS WARRANTY DOES NOT COVER:

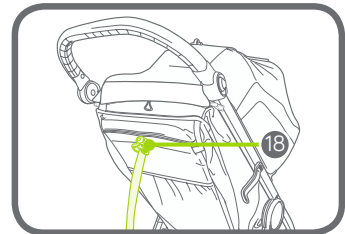
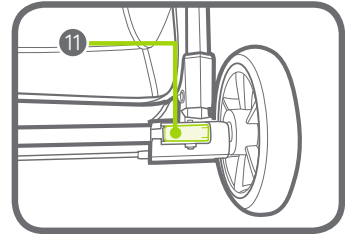
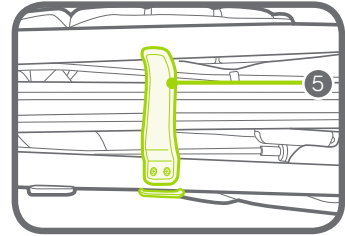
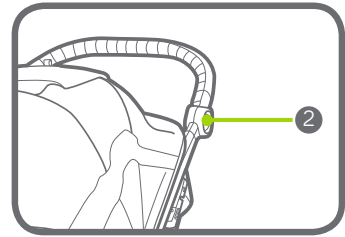
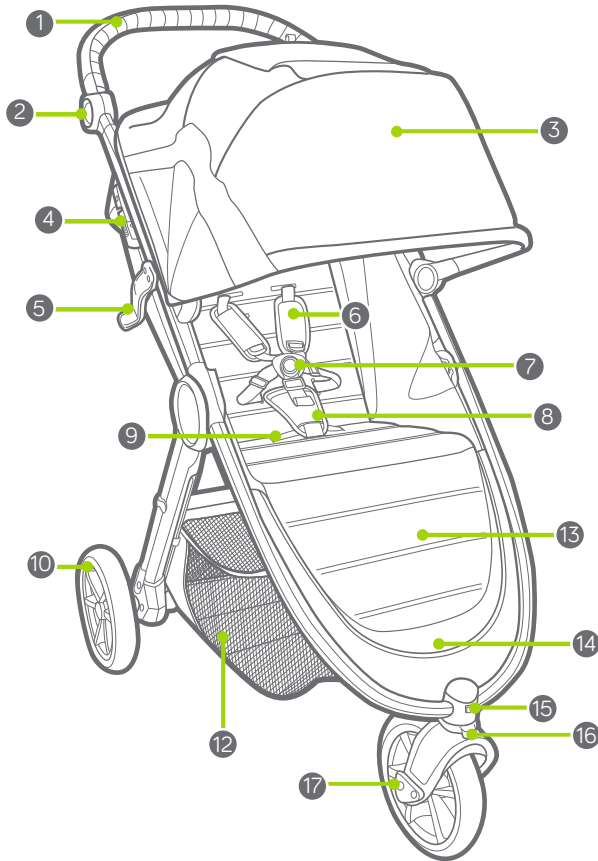
- Normal wear and tear
- Corrosion or rust
- Incorrect assembly, or the installation of third party parts or accessories not compatible with the original design
- Accidental or intentional damage, abuse or neglect, or use on stairs or escalators.
- Commercial use
- Improper storage/care of the unit

This warranty specifically excludes claims for indirect, incidental, or consequential damages. The implied warranties of merchantability and fitness for a particular purpose is according to the specific warranty period for this model unit at time of purchase. Some states do not allow the exclusion or limitation of incidental or consequential damages, so the above limitations or exclusions may not apply to you. This warranty gives you specific legal rights, and you may also have other rights which vary from state to state. To know what your legal rights are in your state, consult your local or state consumer affairs office or your State's Attorney General.

If your pushchair was purchased outside of the United States, please contact the distributor in the country nearest you. Their contact information can be found on our website at <http://www.babyjogger.com/retailers/#international>. Claims for warranty outside of the country in which the product was purchased may incur shipping charges.



NOTE: When contacting Baby Jogger distributor regarding your pushchair, please have your pushchair's serial number ready. It can be located just below the hub on the outside of rear leg.



- |   |                                     |    |   |
|---|-------------------------------------|----|---|
| 1 | Guidon                              | 10 | Roue arrière                                |
| 2 | Bouton d'ajustement de guidon       | 11 | Bouton de déverrouillage de la roue arrière |
| 3 | Canopy                              | 12 | Panier de rangement                         |
| 4 | Frein de stationnement              | 13 | Repose-jambes                               |
| 5 | Verrou                              | 14 | Repose-pieds                                |
| 6 | Coussins du harnais                 | 15 | Bouton de déverrouillage de la roue avant   |
| 7 | Boucle du harnais                   | 16 | Bouton de verrouillage du pivot             |
| 8 | Coussin de la sangle d'entre-jambes | 17 | Roue avant                                  |
| 9 | Poignée de pliage                   | 18 | Sangle d'inclinaison du siège               |



# AVERTISSEMENTS

**IMPORTANT** – A lire attentivement et à conserver pour référence ultérieure. La sécurité de votre enfant risque d'être affectée si vous ne suivez pas ces instructions.

## AVERTISSEMENTS

- Ne jamais laisser un enfant sans surveillance.
- Toujours utiliser le système de retenue.
- Ce produit ne convient pas pour faire du jogging ou des promenades en rollers.
- S'assurer que tous les dispositifs de verrouillage soient enclenchés avant utilisation.
- Pour éviter toute blessure, maintenir l'enfant à l'écart lors du dépliage et du pliage du produit.
- Pour prévenir les blessures, retirez le plateau pour enfants ou l'arceau de protection lors du pliage ou dépliage de la poussette.
- Ne pas laisser un enfant jouer avec ce produit.

## CONSIGNES DE SÉCURITÉ ADDITIONNELLES

- Cette poussette ne peut accommoder qu'un seul enfant. **NE** laissez **JAMAIS** plus d'un enfant à la fois sur cette poussette.



**max 22 kg**

- Cette unité de siège convient à un enfant à partir de la naissance jusqu'à un poids de 22 kg.
- La charge de poids totale recommandée pour cette poussette est de 28 kg. 22 kg dans le siège, 1 kg dans la poche arrière du siège et 4,5 kg dans le panier. Un poids excessif peut entraîner l'existence une instable et dangereuse.

- Pour les sièges-auto utilisés en conjonction avec une poussette, ce siège-auto ne remplace pas un berceau ou un lit. Si votre enfant a besoin de dormir, il doit être placé dans un landau, berceau ou lit approprié.
- Toute charge attachée au guidon et/ou sur l'arrière du dossier et/ou sur les côtés de la poussette affectera la stabilité de la poussette.
- Pour les nouveau-nés, nous recommandons de toujours utiliser la position de siège la plus inclinée.
- Verrouillez les freins avant de mettre l'enfant dans ou de le sortir de la poussette, et lorsque la poussette ne bouge pas.
- Assurez-vous que le frein est correctement enclenché en déplaçant la poussette légèrement en avant et en arrière.
- La poussette n'est pas destinée à être utilisée pour transporter les enfants dans les escaliers ou les escalators. Les dommages résultant sur la poussette ne seront pas couverts par la garantie.
- Les accessoires qui ne sont pas approuvés par Baby Jogger ne doivent pas être utilisés.
- Faites attention aux voitures - ne supposez jamais qu'un conducteur peut vous voir, vous et votre enfant.
- Le passager devra rester assis (pas de position debout dans la poussette).
- Utilisez uniquement les pièces de rechange fournies ou approuvées par Baby Jogger.

## CADRE

- 1 Déballiez le cadre de la poussette du carton et mettez les roues de côté. Déverrouillez la poussette en tirant sur le levier de verrou.
- 2 Dépliez la poussette en écartant le guidon du cadre. Ensuite, soulevez le guidon en l'écartant du siège. La poussette se verrouillera et un déclic retentira.
- 3 Placez la poussette en position debout.

**⚠ AVERTISSEMENT** : Vérifiez que tous les dispositifs de verrouillage soient bien enclenchés avant toute utilisation.

## ROUE AVANT

- 4 Installation
  - Déposez la poussette sur son dos de sorte que le guidon repose sur le sol.
  - Attachez la roue avant en la faisant glisser dans la monture de roue avant jusqu'à ce qu'elle s'enclenche. Tirez délicatement sur la roue avant pour vous assurer qu'elle soit correctement attachée.
- 5 Retrait
  - Tout en appuyant sur le bouton de déblocage de la roue avant, faites délicatement glisser la roue avant hors de la monture de roue avant.

## FONCTION PIVOTANTE

- 6 Appuyez sur le bouton de verrouillage du pivot et faites glisser le verrouillage du pivot vers la gauche pour verrouiller l'ensemble de la roue avant en position fixe pour une promenade de longue distance.
- 7 Appuyez sur le bouton de verrouillage du pivot et faites glisser le verrou du pivot vers la droite pour permettre à l'ensemble de la roue avant de pivoter.

**⚠ AVERTISSEMENT** : Pour mettre l'enfant dans la poussette ou le faire sortir, verrouillez la roue avant en position fixe. Bien que la roue avant de votre poussette se verrouille, elle n'est pas prévue pour faire du jogging ou des exercices.

## ROUES ARRIÈRE

- 8 Installation
  - Alignez l'axe de la roue arrière sur la monture de roue sur le cadre de la poussette et insérez-le dans la monture de roue jusqu'à ce qu'il se verrouille. Un déclic retentira.
  - Tirez délicatement sur la roue arrière pour vous assurer qu'elle soit correctement attachée.

## 9 Retrait

- Tout en appuyant sur le bouton de déverrouillage de la roue, faites délicatement glisser la roue arrière hors de la monture de roue.

## FREIN

- 10 Pour verrouiller les freins : tirez délicatement le levier de frein en position verticale jusqu'à ce qu'il s'enclenche.
- 11 Pour déverrouiller les freins : pincez les pattes grises et tirez le levier vers vous. Poussez sur le levier de frein jusqu'à ce qu'il soit parallèle avec le cadre.

**⚠ AVERTISSEMENT** : Verrouillez les freins avant de mettre l'enfant dans ou de le sortir de la poussette, et lorsque la poussette ne bouge pas.

## CANOPY

- 12 Attachez la canopy au cadre en la faisant glisser dans l'un des deux montants de fixation. Pour l'enlever, faites glisser la canopy hors des montants.

NOTE : Lors de l'utilisation d'un siège-auto City Go i-Size/Graco ou Britax, la capote doit se trouver en position supérieure. Pour tous les autres sièges-auto, il faut enlever la canopy.

- 13 Attachez les deux boutons-pression sur le cadre de la poussette.
- 14 Fermez la fermeture éclair à l'arrière du siège sur le haut de la canopy. Attachez les 2 bandes de fixation sur le côté de la canopy.

- 15 Poussez vers l'avant pour ouvrir la canopy et poussez vers l'arrière pour la fermer.
- 16 Il y a deux fenêtres dans la canopy, une sur le dessus et l'autre à l'arrière. Pour les utiliser, enroulez le store vers le haut et attachez le avec l'élastique et le bouton.

### POIGNÉE

- 17 Pour régler le guidon sur l'une des 6 positions, appuyez sur les boutons d'ajustement du guidon des deux côtés et faites pivoter vers le haut ou vers le bas sur la nouvelle position.

### RÉGLAGE DU HARNAIS DE SÉCURITÉ

- 18 À partir de l'arrière du siège, détachez et ouvrez la poche pour localiser l'obturateur carré en plastique. Faites tourner l'obturateur et passez-le à travers les ouvertures dans le panneau en polyéthylène et le tissu du siège.

- 19 Réinsérez l'obturateur dans l'ouverture du siège la plus proche des épaules de l'enfant. Faites repasser par le tissu du siège et le panneau en polyéthylène. Tirez sur la sangle pour vous assurer que l'obturateur soit verrouillé. Répétez des deux côtés.

**⚠ AVERTISSEMENT** : Évitez les risques d'accidents graves dus à une chute ou à une glissade hors du siège. Réglez et fixez toujours correctement le harnais de sécurité.

**⚠ AVERTISSEMENT** : Utilisez toujours la sangle l'entrejambe en association avec les sangles des épaules et la ceinture.

- 20 Faites glisser les coussins du harnais vers le haut pour accéder au guide en plastique sur la sangle.

- 21 Tenez le guide en plastique et tirez la sangle pour serrer ou desserrer.

### UTILISATION DU HARNAIS DE

### SÉCURITÉ

- 22 Insérez la boucle de sangle latérale dans la boucle du harnais des deux côtés.
- 23 Insérez les boucles du harnais et de la sangle latérale connectées dans les côtés de la boucle d'entrejambe.
- 24 Appuyez sur le bouton de la boucle d'entrejambe pour débloquer.

### INCLINAISON DU SIÈGE

- 25 Pincez la pince derrière le siège et faites-la glisser vers le bas à l'inclinaison souhaitée.
- 26 Tirez le siège vers le bas des deux côtés pour l'aligner à la position de la pince. Inverser les étapes pour revenir en position verticale.

**⚠ AVERTISSEMENT** : Pour ajuster le siège de la poussette, veillez à ce que la tête, les bras et les jambes de l'enfant se trouvent à l'écart des pièces du siège en mouvement et du cadre de la poussette.

- 27 Pour une ventilation additionnelle, enroulez le rabat de l'arrière du siège et attachez le avec l'élastique et le bouton.

### REPOSE-JAMBES

- 28 Pour utiliser le support des jambes, relevez le devant du coussin de siège.
- 29 Faites tourner le bras de support vers l'extérieur et abaissez le coussin du siège. Verrouillez le bras de support.
- 30 Pour abaisser le support des jambes, inversez les étapes.

### PLIAGE

- Retirez l'enfant du siège.
- Dégagez les verrous pivots des roues avant.
- Retirez tous les accessoires et tous les articles du panier.

**⚠ AVERTISSEMENT** : Pour prévenir les blessures, retirez le plateau pour enfants ou l'arceau de protection lors du pliage ou dépliage de la poussette.


- 31 Appuyez sur les boutons d'ajustement du guidon des deux côtés du cadre. Faites pivoter le guidon vers le haut.
- 32 Insérez l'index dans la petite boucle, tirez sur la poignée « Tirer pour plier » et laissez le cadre se replier.
- 33 Veillez à ce que le verrou s'enclenche.
- 34 Placez la poussette en position debout.

### RETRAIT DU PANIER

- 35 Depuis le devant de la poussette, détachez les 2 boutons-pression et sortez les sangles du repose-pieds.
- 36 Enlevez le panier du crochet.
- 37 Depuis l'arrière, enlevez le haut du panier de la languette de part et d'autre du cadre.
- 38 Détachez les boutons-pression puis retirez la sangle de la boucle de part et d'autre du cadre.

### RETRAIT DU SIÈGE

- 39 Retournez la poussette pour exposer le dessous du siège.
  - A Défaites les 2 bandes de fixation et sortez-les du cadre de la poussette.
  - B Défaites les bandes de fixation et sortez-les des côtés du cadre de la poussette.
  - C Dévissez le mousqueton droit et tirez la sangle hors du coussin de siège.
- 40 Retournez la poussette sur ses roues. Tirez le tissu du siège vers le haut et hors des boutons.
- 41 En commençant par le bas, faites glisser le coussin du siège hors du cadre de poussette des deux côtés.
- 42 Depuis le haut, faites glisser le siège hors du cadre des deux côtés.
- 43 Retirez le coussin du siège. Inversez les étapes pour rattacher le coussin du siège au cadre.

 **AVERTISSEMENT :** Veillez à ce que toutes les fixations soient correctement fermées lors de la fixation du coussin du siège.

# ENTRETIEN ET MAINTENANCE

Pour préserver la longévité de votre poussette, il est important d'effectuer une maintenance simple et périodique. De temps à autre, assurez-vous que les joints et zones de pliage soient toujours en bon état. Si vous entendez un grincement ou sentez une certaine tension, vous pouvez emporter votre poussette au revendeur local de vélos pour une lubrification additionnelle. Toutes les réparations ne doivent être effectuées que par un vendeur agréé.

## LAVAGE

### Tissu du siège

- Le siège de la poussette peut être lavé à la main à l'eau froide avec un détergent doux.
- Veillez à retirer le cadre en métal et les panneaux en polyéthylène du siège avant de le laver.
- N'utilisez ni solvants, ni matériaux de nettoyage caustiques ou abrasifs.
- Pour minimiser le rétrécissement, il suffit de rattacher le siège au cadre pour le faire sécher.
- Ne pressez ni repassez, nettoyez à sec, séchez au séchoir ni essorez le tissu.
- Si la housse du siège a besoin d'être remplacée, utilisez uniquement des pièces d'un revendeur agréé Baby Jogger. Elles sont les seules à être garanties pour avoir été testées la sécurité et conçues pour convenir à ce siège.

### Pièces en plastique / métal

- Essuyez à l'aide d'un savon doux et d'eau chaude.
- Vous ne devez ni retirer ni démonter ni modifier quelque pièce que ce soit du mécanisme de pliage du siège ou des freins.

## Entretien des roues

- Les roues peuvent être nettoyées à l'aide d'un chiffon humide. Elles devront être complètement séchées avec une serviette ou un chiffon doux.

## RANGEMENT

- Le soleil peut décolorer le tissu du siège et dessécher les pneus, il est donc important d'entreposer votre poussette à l'intérieur pour prolonger son bel aspect.
- N'entreposez PAS la poussette à l'extérieur.
- Veillez à ce que la poussette soit bien sèche avant de l'entreposer pour de longues durées.
- Entreposez toujours la poussette dans un milieu sec.
- Entreposez la poussette dans un lieu sûr lorsqu'elle n'est pas utilisée (c'est-à-dire où les enfants ne peuvent pas jouer avec).
- NE placez PAS d'objets lourds sur le dessus de la poussette.
- N'entreposez PAS la poussette à proximité d'une source de chaleur directe telle qu'un radiateur ou un feu.

# GARANTIE À VIE LIMITÉE DE BABY JOGGER

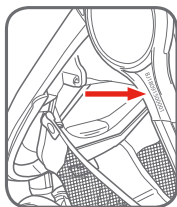
Baby Jogger garantit que le cadre est exempt de défauts de fabrication pour la durée de vie du produit. Les défauts de fabrication incluent, mais sans s'y limiter, la cassure des soudures et les dommages des tubes du cadre. Les matériaux en textile ou souples et tous les autres composants seront garantis pendant un an à compter de la date d'achat (à l'exception des tubes et des pneus). Une preuve d'achat est exigée pour effectuer une réclamation de garantie et la garantie n'est étendue qu'à l'acheteur original.

## LA PRÉSENTE GARANTIE NE COUVRE PAS CE QUI SUIT :

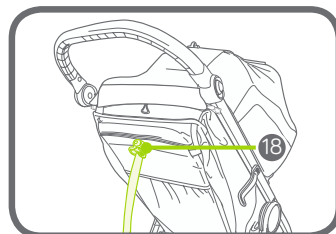
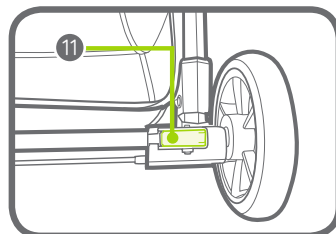
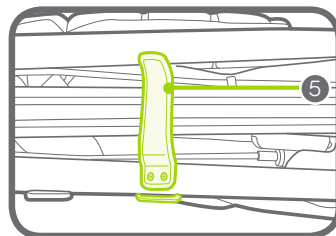
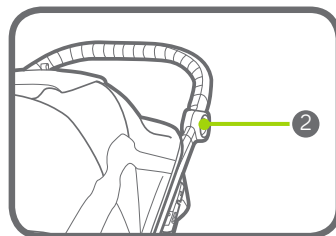
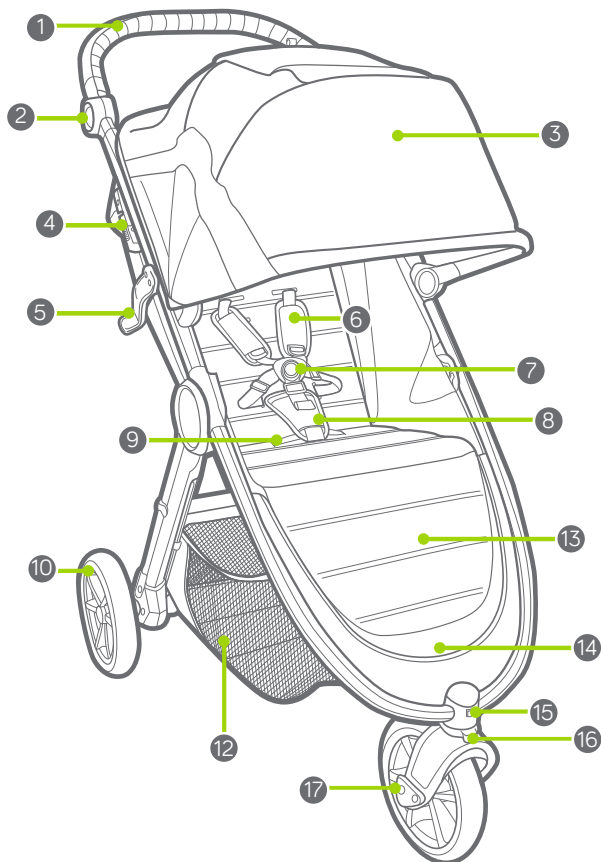
- L'usure normale
- La corrosion ou la rouille
- Un assemblage incorrect ou l'installation de pièces ou d'accessoires tiers incompatibles avec le modèle d'origine
- Dommage accidentel ou intentionnel, abus ou négligence, ou utilisations sur des escaliers ou escalators.
- Un usage commercial
- Un rangement/entretien incorrect de la poussette

Cette garantie exclut spécifiquement les réclamations pour dommages indirects, accessoires ou consécutifs. Les garanties tacites de qualité marchande et d'adaptation à un usage particulier sont conformes à la période de garantie spécifique pour ce modèle au moment de l'achat. Certains États ne permettant pas l'exclusion ou la limitation de dommages accessoires ou consécutifs, les limitations ou exclusions ci-dessus peuvent ne pas s'appliquer à votre cas. La présente garantie vous donne des droits juridiques spécifiques et vous pouvez également disposer d'autres droits qui varient d'une juridiction à une autre. Pour savoir quels sont vos droits juridiques dans votre État, consultez votre bureau des affaires de consommateurs local ou de l'État ou le procureur général de votre État.

Si votre poussette a été achetée en-dehors des États-Unis, veuillez contacter le distributeur dans le pays le plus proche de vous. Ses coordonnées figurent sur notre site Web à <http://www.babyjogger.com/retailers/#international>. Les recours en garantie en-dehors du pays dans lequel le produit a été acheté peuvent entraîner des frais d'expédition.



REMARQUE : Lorsque que vous contactez le distributeur Baby Jogger au sujet de votre poussette, veuillez avoir le numéro de série de la poussette à votre disposition. Il se trouve juste en-dessous du moyeu sur l'extérieur de la jambe arrière.



- |   |                               |    |   |
|---|-------------------------------|----|---|
| 1 | Manillar                      | 10 | Rueda trasera                             |
| 2 | Botón de pliegue del manillar | 11 | Botón de liberación                       |
| 3 | Capota                        | 12 | Canasta de almacenamiento                 |
| 4 | Freno de mano                 | 13 | Soporte para las piernas                  |
| 5 | Bloqueo automático            | 14 | Hueco del pie                             |
| 6 | Almohadillas del arnés        | 15 | Botón de liberación de la rueda delantera |
| 7 | Hebilla del arnés             | 16 | Girar/Trabar                              |
| 8 | Crotch Strap Pad              | 17 | Rueda delantera                           |
| 9 | Correa de plegado             | 18 | Correa de reclinación de la silla         |

## ADVERTENCIA

Importante – Leer detenidamente y mantenerlas para futuras consultas. La seguridad del niño puede verse afectada si no sigue estas instrucciones.

### ADVERTENCIA

- No dejar nunca al niño desatendido.
- Usar siempre el sistema de retención.
- Este producto no es adecuado para correr o patinar.
- Asegurarse de que todos los dispositivos de cierre están engranados antes del uso.
- Para evitar lesiones, asegúrese de que el niño se mantiene alejado durante el desplegado y el plegado de este producto.
- Para evitar lesiones, retire el accesorio de bandeja infantil o de barra para la barriguita al plegar o desplegar el carrito.
- No permita que el niño juegue con este producto.

### INFORMACIÓN DE SEGURIDAD ADICIONAL

- Este carrito es para un solo pasajero. No permita NUNCA que se sienta más de un niño a la vez en este carrito.



- La unidad de asiento es apta para un niño desde su nacimiento hasta un peso máximo de 22 kg.
- La carga de peso total recomendada para este carrito es de 28 kg, 22 kg en la silla, 1 kg en el bolsillo del respaldo de la silla y 4,5 kg en la cesta. Un peso excesivo puede provocar la existencia de una condición inestable y peligrosa.

- Para las sillas para el coche que se usan en combinación con un chasis, este vehículo no sustituye a la cuna o a la cama. Si su hijo tiene que dormir, deberá colocarlo en una cama, una cuna o en un capazo apropiado.
- Cualquier carga acoplada al manillar y/o en la parte posterior del respaldo y/o en los laterales del vehículo afectará a la estabilidad del vehículo.
- Para bebés recién nacidos, recomendamos que utilice siempre la posición de asiento más reclinada.
- Bloquee los frenos antes de colocar o sacar a su hijo y siempre que el carrito esté parado.
- Asegúrese de que el freno esté correctamente acoplado desplazando el carrito ligeramente hacia delante y hacia atrás.
- El carrito no debe utilizarse para transportar a niños al subir o bajar escaleras o escaleras mecánicas. Los daños provocados al carrito no estarán cubiertos por la garantía.
- No deberán usarse accesorios que no estén aprobados por Baby Jogger.
- Cuidado con los coches, no asuma nunca que un conductor puede verles a usted y a su hijo.
- El pasajero permanecerá sentado (y no de pie en el carrito).
- Utilice solamente piezas de recambio suministradas o aprobadas por Baby Jogger.



## BASTIDOR

- 1 Desembale el bastidor del carrito de la caja y aparte las ruedas. Desbloquee el carrito tirando de la palanca de bloqueo de almacenamiento.
- 2 Despliegue el carrito tirando del manillar alejándolo del bastidor. A continuación, levante el manillar alejándolo de la silla. Oirá un chasquido cuando el carrito encaje en su sitio.
- 3 Coloque el carrito en posición vertical.

**⚠️ ADVERTENCIA:** Antes de usarla, asegúrese de que todos los dispositivos de bloqueo estén acoplados.

## RUEDA DELANTERA

- 4 Instalación
  - Coloque el carrito con el respaldo en el suelo de manera que el manillar descansa en el suelo.
  - Acople la rueda delantera deslizándola hacia el soporte de la rueda delantera hasta oír un chasquido. Tire suavemente de la rueda delantera para asegurarse de que esté correctamente acoplada.
- 5 Desmontaje
  - Deslice con cuidado la rueda delantera para extraerla del soporte de la rueda delantera al tiempo que presiona el botón de desbloqueo de la rueda delantera.

## CARACTERÍSTICA DE GIRO

- 6 Presione el botón de bloqueo de giro y deslice el bloqueo de giro hacia la izquierda para bloquear el conjunto de rueda delantera en una posición fija para largos desplazamientos.
- 7 Presione el botón de bloqueo de giro y deslice el bloqueo de giro hacia la derecha para permitir el giro del conjunto de rueda delantera.

**⚠️ ADVERTENCIA:** Al colocar y sacar al niño, bloquee la rueda delantera en una posición fija. Si bien la rueda delantera de su carrito se bloquea, no ha sido diseñado para correr o hacer ejercicio con él.

## RUEDAS TRASERAS

- 8 Instalación
  - Alinee el eje de las ruedas traseras con el soporte de la rueda en el bastidor del carrito e insértelo en el soporte de la rueda hasta que encaje en su sitio. Oirá un chasquido.
  - Tire con suavidad de la rueda trasera para asegurarse de que esté correctamente acoplada.
- 9 Desmontaje
  - Deslice con cuidado la rueda trasera para extraerla del soporte de la rueda al tiempo que presiona el botón de desbloqueo de la rueda.

## FRENO

- 10 Bloqueo de los frenos: tire con suavidad de la palanca del freno colocándola en posición vertical hasta oír un chasquido.
- 11 Desbloqueo de los frenos: pellizque las lengüetas de color gris y tire de la palanca hacia usted. Empuje la palanca del freno hacia abajo hasta colocarla en posición paralela con el bastidor.

**⚠️ ADVERTENCIA:** Bloquee los frenos antes de colocar o sacar a su hijo y siempre que el carrito esté parado.

## CAPOTA

- 12 Acople la capota al bastidor deslizando la capota hacia uno de los soportes de montaje. Para extraerla, deslice la capota por los soportes.

NOTA: Al usar una silla para el coche City Go/Graco o Britax, la capota tiene que estar en la posición superior. Para el resto de sillas para el coche, hay que quitar la capota.

- 13 Abroche los dos broches al bastidor del carrito.
- 14 Cierre la cremallera que une el respaldo de la silla a la parte superior de la capota.  
Acople las 2 tiras de fijación situadas en el lateral de la capota.
- 15 Tire hacia delante para abrir la capota y empuje hacia atrás para cerrar la capota.
- 16 La capota tiene dos ventanas, una en la parte superior y la otra en la parte de atrás. Para utilizarlas, enrolle la pantalla hacia la parte superior y asegúrela con el elástico y el botón.

#### ASA

- 17 Para cambiar el asa a una de las 6 posiciones de uso, oprima el botón de desbloqueo del asa a ambos lados y gire hacia arriba o hacia abajo a la posición nueva.

#### AJUSTE DEL ARNÉS DE SEGURIDAD

- 18 Desde el respaldo de la silla, desabroche y abra el bolsillo para localizar el tapón cuadrado de plástico. Gire el tope y páselo a través de las aberturas del tablero de polietileno y la tela de la silla.
- 19 Vuelva a insertar el tope en la abertura de la silla que se encuentra más cerca de los hombros del niño. Pásela a través de la tela de la silla y el tablero de polietileno. Tire de la correa para asegurarse de que el tope esté bloqueado. Repita a ambos lados.

**⚠ ADVERTENCIA:** Evite lesiones graves provocadas por caídas o resbalones. Ajuste y abroche siempre de manera correcta el arnés de seguridad.

**⚠ ADVERTENCIA:** Utilice siempre la correa de la entrepierna en combinación con las correas del hombro y el cinturón para la cintura.

- 21 Sostenga la guía de plástico y

tire de la correa para apretarla o aflojarla.

#### USO DEL ARNÉS DE SEGURIDAD

- 22 Inserte la hebilla de la correa lateral en la hebilla del arnés a ambos lados.
- 23 Inserte el arnés conectado y las hebillas de las correas laterales en los laterales de la hebilla de la entrepierna.
- 24 Presione el botón de la hebilla de la entrepierna para soltarlo.

#### RECLINE LA SILLA

- 25 Pellizque la abrazadera situada detrás de la silla y deslice hacia abajo hasta lograr la inclinación deseada.
- 26 Empuje el asiento hacia abajo a ambos lados hasta alcanzar la posición de la abrazadera. Invierta los pasos para regresar a la posición vertical.

**⚠ ADVERTENCIA:** Al realizar ajustes en la silla del carrito, asegúrese de que la cabeza, los brazos y las piernas del niño estén alejados de las piezas móviles de la silla y del bastidor del carrito.

- 27 Para más ventilación, enrolle hacia arriba la solapa del respaldo de la silla y asegúrela con el elástico y el botón.

#### SOPORTE PARA LAS PIERNAS

- 28 Levante la parte delantera de la almohadilla de la silla para usar el soporte para las piernas.
- 29 Gire el brazo de apoyo hacia afuera y baje la almohadilla de la silla. Bloquee el brazo de apoyo.
- 30 Invierta los pasos para bajar el soporte para las piernas.

#### PLEGADO

- Saque al niño de la silla.
- Suelte los bloqueos de giro de las ruedas delanteras.
- Retire todas las fijaciones y todos los artículos de la cesta.

**⚠ ADVERTENCIA:** Para evitar lesiones, retire el accesorio de bandeja infantil o de barra para la barriguita al plegar o desplegar el carrito.

31 Oprima los botones a ambos lados del bastidor.

Gire el asa hacia arriba.

32 Inserte el dedo índice en la anilla pequeña, tire hacia arriba del asa de plegado "Pull to Fold" (tirar para plegar) hasta que el bastidor se pliegue.

33 Asegúrese de que la palanca de bloqueo automático encaje en su sitio, oirá un chasquido.

34 Coloque el carrito en posición vertical, levantado.

### RETIRADA DE LA CESTA

35 Desde la parte delantera del carrito, suelte los 2 broches y saque las correas del hueco para los pies.

36 Levante la cesta para extraerla del gancho.

37 Desde la parte trasera, levante la parte superior de la cesta para extraerla de la lengüeta a ambos lados del bastidor.

38 Quite la correa de la abrazadera en C a ambos lados del bastidor.

### RETIRADA DE LA ALMOHADILLA DE LA SILLA

39 Dé la vuelta al carrito para dejar a la vista la base de la silla.

A Desabroche las 2 tiras de fijación y extráigalas del bastidor del carrito.

B Desabroche las tiras de fijación y extráigalas de los laterales del bastidor del carrito.

C Desatornille el mosquetón derecho y extraiga la correa de la almohadilla del asiento.

40 Dele la vuelta a la silla para volver a colocarla sobre sus ruedas. Tire del tejido hacia arriba y suéltelo de los botones.

41 Comenzando por la parte inferior, deslice la almohadilla de la silla para extraerla del bastidor del carrito a ambos lados.

42 Desde la parte superior, deslice la almohadilla de la silla para extraerla del bastidor del carrito a ambos lados.

43 Extraiga la almohadilla de la silla. Invierta los pasos para volver a acoplar la almohadilla de la silla al bastidor.

**⚠ ADVERTENCIA:** Asegúrese de que todas las sujeciones estén correctamente cerradas al volver a acoplar la almohadilla de la silla.

# CUIDADO Y MANTENIMIENTO

A fin de mantener la vida útil de su carrito, es importante realizar un mantenimiento periódico sencillo. Asegúrese de comprobar de vez en cuando que las uniones y las áreas de plegado sigan estando en buen estado. Si oye cualquier chirrido o siente tensión, puede llevar el carrito a una tienda de bicicletas local para su lubricación. Todas las reparaciones deben ser realizadas solo por un distribuidor autorizado.

## LAVADO

### Tela de la silla

- Puede lavar a mano la silla del carrito en agua fría con un detergente suave.
- Antes de lavarla, asegúrese de retirar el bastidor metálico y el tablero de polietileno de la silla.
- No utilice disolventes ni materiales de limpieza cáusticos o abrasivos.
- Para evitar que encoja, tan solo tiene que volver a montar la silla en el bastidor para que se seque.
- No presione, planche, limpie en seco, seque en secadora ni retuerza la tela.
- Si fuera necesario sustituir las fundas de la silla utilice solo componentes de un distribuidor autorizado de Baby Jogger. Son las únicas con garantía de que cuentan con seguridad comprobada y diseñadas para ajustarse a esta silla.

### Piezas de plástico/metal

- Limpie con un jabón suave y agua templada.
- No debe retirar, desmontar ni modificar ninguna pieza de los frenos ni del mecanismo de plegado de la silla.

### Cuidado de las ruedas

- Las ruedas pueden limpiarse con un paño mojado. Tendrá que secarlas por

completo con un paño o con una toalla suaves.

## ALMACENAMIENTO

- La luz del sol puede decolorar la tela de la silla y secar los neumáticos por lo que guardar el carrito en el interior prolongará su buen aspecto.
- NO lo guarde en un espacio al aire libre.
- Antes de guardar el carrito durante periodos prolongados, asegúrese de que esté seco.
- Guarde siempre el carrito en un lugar seco.
- Guarde el carrito en un sitio seguro cuando no vaya a utilizarlo (es decir, donde los niños no puedan jugar con él).
- NO coloque objetos pesados sobre la silla.
- NO guarde el carrito cerca de una fuente de calor directa como por ejemplo un radiador o cerca del fuego.

# Garantía limitada de por vida de Baby Jogger

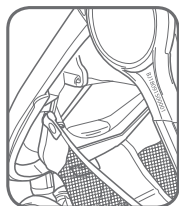
Baby Jogger garantiza que el bastidor está libre de defectos del fabricante durante la vida útil del producto. Los defectos del fabricante incluyen, a título enunciativo, la ruptura de las soldaduras y daños al tubo del bastidor. Los materiales laterales suaves o textiles y todos los demás componentes estarán garantizados durante un año desde la fecha de compra (salvo los tubos y neumáticos). Se necesita el comprobante de compra para realizar una reclamación de garantía y la garantía solo se extiende al comprador original.

## ESTA GARANTÍA NO CUBRE:

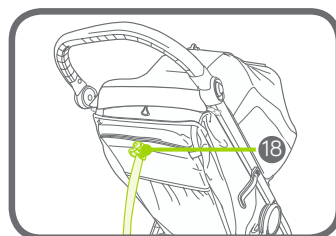
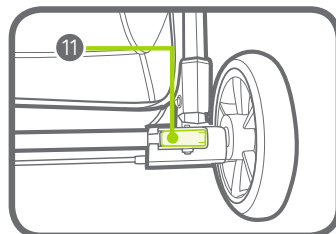
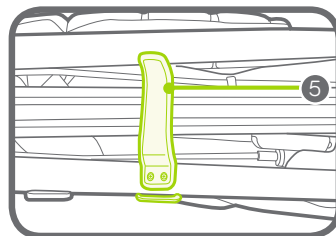
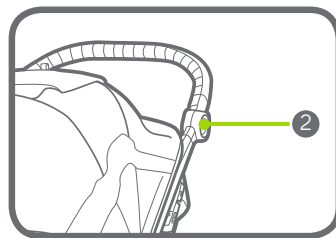
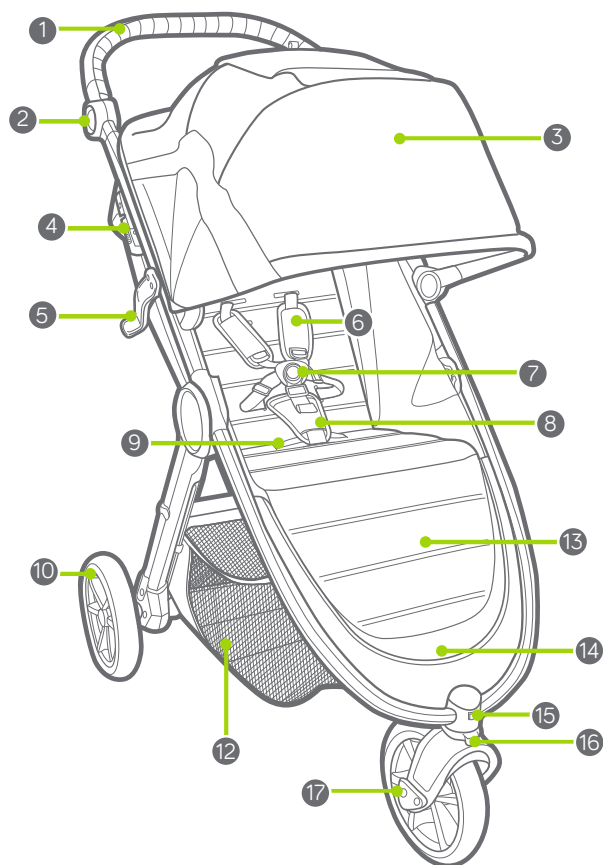
- Desgaste normal
- Corrosión u óxido
- Montaje incorrecto o la instalación de piezas o accesorios de terceros que no sean compatibles con el diseño original
- Daño, abuso o negligencia accidentales o intencionados, o el uso en escaleras o escaleras mecánicas.
- Uso comercial
- Almacenamiento o cuidado inadecuados de la unidad

Esta garantía excluye específicamente las reclamaciones por daños indirectos, incidentales o consecuenciales. Las garantías implícitas de comerciabilidad e idoneidad para un fin en particular son para el periodo de garantía específico para esta unidad de modelo en el momento de la compra. Algunos estados no permiten la exclusión o limitación de daños incidentales o consecuentes, por lo que las limitaciones o exclusiones podrían no ser aplicables a su caso. Esta garantía le ofrece derechos legales específicos y podría tener otros derechos que varían de un estado a otro. Para conocer cuáles son sus derechos legales en su estado, consulte con su oficina de consumo estatal o con el Fiscal General de su estado.

Si compró su carrito fuera de Estados Unidos, póngase en contacto con el distribuidor del país más cercano. Podrá encontrar su información de contacto en nuestra página web en <http://www.babyjogger.com/retailers/#international>. Las reclamaciones de garantía fuera del país donde se compró el producto podrían generar gastos de envío.



NOTA: Cuando se ponga en contacto con su distribuidor de Baby Jogger en relación con su carrito, tenga a mano el número de serie de su carrito. Se encuentra justo debajo del cubo en el exterior de la pata trasera.



- |   |   |    |                                       |
|---|---|----|---------------------------------------|
| 1 | Manubrio                                | 10 | Ruota posteriore                      |
| 2 | Pulsante per abbassare il manubrio      | 11 | Pulsante di rilascio ruota posteriore |
| 3 | Capottina                               | 12 | Cestino portaoggetti                  |
| 4 | Freno di stazionamento                  | 13 | Supporto per gambe                    |
| 5 | Blocco automatico                       | 14 | Vano gambe                            |
| 6 | Imbottitura spallacci                   | 15 | Pulsante di rilascio ruota anteriore  |
| 7 | Fibbia spallacci                        | 16 | Girevole/blocco                       |
| 8 | Imbottitura della cinghia per l'inguine | 17 | Ruota anteriore                       |
| 9 | Maniglia per la chiusura del passeggino | 18 | Fermaglio per reclinare il sedile     |

## ATTENZIONE

**IMPORTANTE** – Leggere attentamente e conservare per futuro riferimento. Il mancato rispetto di queste istruzioni potrebbe compromettere la sicurezza del bambino.

### ATTENZIONE

- Non lasciare mai il bambino incustodito.
- Utilizzare sempre la cintura di sicurezza.
- Questo prodotto non è adatto per correre o pattinare.
- Prima dell'uso assicurarsi che tutti i meccanismi di bloccaggio siano correttamente agganciati.
- Per evitare lesioni o ferimenti assicurarsi che il bambino sia a debita distanza durante le operazioni di apertura e chiusura del prodotto.
- Per prevenire possibili ferite, rimuovere il vassoio oppure il maniglione di sicurezza quando il passeggino viene aperto o ripiegato.
- Non lasciare che il bambino giochi con questo prodotto.

### INFORMAZIONI AGGIUNTIVE SULLA SICUREZZA

- Questo passeggino è destinato a un solo bambino. MAI far salire più di un



**max 22 kg**

- bambino per volta su questo passeggino.
- Il sedile è adatto per un bambino che non superi 22 kg.
- Il peso totale raccomandato per questo passeggino è 28 kg, 22 kg nel sedile, 1 kg nella tasca sul retro e 4,5 kg nel cestino. Un peso eccessivo potrebbe provocare una pericolosa instabilità.

- Per i seggiolini per auto utilizzati insieme a un telaio, questo veicolo non sostituisce un lettino o un letto. Se il bambino ha bisogno di dormire, deve essere spostato in una carrozzina, un lettino o un letto adatti.
- Qualsiasi carico appeso al manubrio e/o alla parte posteriore dello schienale e/o ai lati del passeggino ne comprometterà la stabilità.
- Per i neonati, si raccomanda di utilizzare sempre la posizione di seduta più reclinata.
- Bloccare i freni prima di collocare il bambino nel passeggino o di estrarlo da esso, nonché ogni volta che il passeggino non è in movimento.
- Verificare che il freno sia correttamente inserito spostando leggermente il passeggino avanti e indietro.
- Il passeggino non è destinato al trasporto di bambini su scale o scale mobili. Eventuali danni al passeggino non saranno coperti dalla garanzia.
- È vietato l'uso di accessori non approvati da Baby Jogger.
- Attenzione alle auto - evitare di supporre che un guidatore possa vedere voi e il bambino.
- Il bambino deve restare seduto (mai in piedi nel passeggino).
- Utilizzare soltanto parti di ricambio fornite o approvate da Baby Jogger.

## TELAIO

- 1 Disimballare il telaio del passeggino e mettere da parte le ruote. Sbloccare il passeggino tirando la leva di blocco portaoggetti.
- 2 Aprire il passeggino allontanando il manubrio dal telaio. In seguito, sollevare il manubrio allontanandolo dal sedile. Il passeggino si bloccherà in posizione e si sentirà uno scatto.
- 3 Collocare il passeggino in posizione eretta.

**⚠ AVVERTENZA:** Prima dell'uso, verificare che tutti i dispositivi di blocco siano inseriti.

## RUOTA ANTERIORE

- 4 Installazione
  - Posare il passeggino sullo schienale in modo che il manubrio poggi sul pavimento.
  - Inserire la ruota anteriore facendola scorrere nell'apposito attacco finché non scatta in posizione. Tirare delicatamente la ruota anteriore per assicurarsi che sia fissata correttamente.
- 5 Rimozione
  - Premere il pulsante di rilascio della ruota anteriore e, al contempo, estrarre delicatamente la ruota dall'apposito attacco.

## FUNZIONE DI ROTAZIONE

- 6 Abbassare il pulsante di perno girevole/blocco e far scorrere il perno verso sinistra, in modo da bloccare il gruppo ruote anteriori in posizione fissa se il passeggino deve essere spinto a lungo.
- 7 Abbassare il pulsante di perno girevole/blocco e far scorrere il perno verso destra, in modo da permettere la rotazione al gruppo ruote anteriori.

**⚠ AVVERTENZA:** Quando il bambino viene collocato nel passeggino o ne viene estratto, bloccare la ruota anteriore in posizione fissa. Sebbene

la ruota anteriore del passeggino possa essere bloccata, il passeggino non è adatto per fare jogging o esercizio fisico.

## RUOTE POSTERIORI

- 8 Installazione
  - Allineare l'asse delle ruote posteriori con l'attacco ruote sul telaio del passeggino e inserirlo in tale attacco finché non si blocca in posizione. Si sentirà uno scatto.
  - Tirare delicatamente la ruota posteriore per assicurarsi che sia fissata correttamente.
- 9 Rimozione
  - Premere il pulsante di rilascio ruote e, al contempo, estrarre delicatamente la ruota posteriore dall'apposito attacco.

## FRENO

- 10 Per bloccare i freni: tirare delicatamente la leva dei freni in posizione eretta finché non scatta in posizione.
- 11 Per sbloccare i freni: premere le alette di colore grigio e tirare la leva all'indietro. Abbassare la leva del freno finché non è parallela al telaio.

**⚠ AVVERTENZA:** Bloccare i freni prima di collocare il bambino nel passeggino o di estrarlo da esso, nonché ogni volta che il passeggino non è in movimento.

## CAPOTTINA

- 12 Fissare la capottina al telaio facendola scorrere su una delle due staffe di montaggio. Per la rimozione, estrarre la capottina dagli attacchi.

NOTA: Nel caso venga utilizzato un seggiolino per auto City Go/Graco o Britax, la capottina deve stare nella posizione superiore. Per tutti gli altri seggiolini per auto, è necessario rimuovere la capottina.

- 13 Agganciare i due fermagli al telaio del passeggino.



- 14 Agganciare la cerniera sullo schienale del sedile alla parte superiore della capottina. Fissare le 2 strip di fissaggio sul lato della capottina.
- 15 Tirare in avanti per aprire la capottina e spingere indietro per chiuderla.
- 16 Sono presenti due finestrelle sulla capottina, una sulla parte superiore e una sulla parte posteriore. Per utilizzarle, arrotolare lo schermo verso l'alto e fissarlo con l'elastico e il pulsante.

### MANUBRIO

- 17 Per spostare il manubrio in una delle 6 posizioni d'uso, premere i pulsanti di rilascio su entrambi i lati del manubrio e ruotarlo verso l'alto o verso il basso fino alla posizione desiderata.

### REGOLAZIONE DELLA CINTURA DI SICUREZZA

- 18 Dallo schienale del sedile, sganciare e aprire la tasca per individuare il fermo quadrato di plastica. Ruotare il fermo e passare attraverso le aperture nel pannello in PE e nel tessuto del sedile.
- 19 Reinserire il fermo nell'apertura più vicina alle spalle del bambino. Ripassare attraverso il tessuto del sedile e il pannello in PE. Tirare la strip per assicurarsi che il fermo sia bloccato. Ripetere l'operazione su entrambi i lati.

**⚠ AVVERTENZA:** Evitare di incorrere in lesioni gravi in caso di caduta o scivolamento. Regolare e tendere sempre correttamente la cintura di sicurezza.

**⚠ AVVERTENZA:** Utilizzare sempre la fascetta delle bretelle abbinata agli spillacci e alla cintura in vita.

- 20 Far scorrere verso l'alto l'imbottitura degli spillacci per accedere alla guida sulla fascetta.

- 21 Tenere la guida in plastica e tirare la fascetta per stringerla o allentarla.

### USO DELLA CINTURA DI SICUREZZA

- 22 Inserire la cinghia delle fascette laterali nella cinghia della cintura su entrambi i lati.
- 23 Inserire le cinghie collegate di cintura e fascette laterali nei lati della fibbia per le bretelle.
- 24 Premere il pulsante sulla fibbia per rilasciare le bretelle.

### PER RECLINARE IL SEDILE

- 25 Premere il morsetto dietro il sedile e farlo scivolare fino alla posizione desiderata.
- 26 Abbassare il sedile su entrambi i lati per farlo reclinare nella posizione del morsetto. Eseguire queste operazioni in ordine inverso per tornare alla posizione eretta.

**⚠ AVVERTENZA:** Durante le regolazioni sul sedile del passeggino, assicurarsi che la testa, le braccia e le gambe del bambino siano lontane dalle parti del sedile in movimento e dal telaio del passeggino.

- 27 Per una ventilazione ulteriore, arrotolare il risvolto dello schienale verso l'alto e fissarlo con l'elastico e il pulsante.

### SUPPORTO PER GAMBE

- 28 Per utilizzare il supporto per le gambe, sollevare la parte anteriore dell'imbottitura del seggiolino.
- 29 Ruotare il braccio di supporto e abbassare l'imbottitura del seggiolino. Bloccare il braccio di supporto.
- 30 Per abbassare il supporto per le gambe, eseguire l'operazione in ordine inverso.

### CHIUSURA DEL PASSEGGINO

- Estrarre il bambino dal passeggino.
- Sganciare il blocco della ruota anteriore.

- Rimuovere tutti gli accessori e gli elementi dal cestino.
- ⚠ **AVVERTENZA:** Per prevenire possibili ferite, rimuovere il vassoio oppure il maniglione di sicurezza quando il passeggino viene aperto o ripiegato.
- 31 Premere i pulsanti su entrambi i lati del telaio.  
Ruotare il manubrio verso l'alto.
- 32 Inserire l'indice nel piccolo occhio, tirare verso l'alto la maniglia di chiusura "Pull to Fold" e lasciare che il telaio si ripieghi.
- 33 Assicurarsi che la leva di blocco automatico scatti in posizione.
- 34 Collocare il passeggino in posizione eretta.

### RIMOZIONE DEL CESTINO

- 35 Nella parte anteriore del passeggino, sganciare i due fermagli ed estrarli dal vano gambe.
- 36 Sollevare il cestino ed estrarlo dal gancio.
- 37 Sul retro, sollevare la parte superiore del cestino ed estrarlo dall'aletta su entrambi i lati del telaio.
- 38 Rimuovere il fermaglio dal morsetto a C su entrambi i lati del telaio.

### RIMOZIONE DELL'IMBOTTITURA DEL SEDILE

- 39 Ribaltare il passeggino per accedere al fondo del sedile.
  - A Sganciare le due strip di fissaggio ed estrarle dal telaio del passeggino.
  - B Sganciare la strip di fissaggio ed estrarla dai lati del telaio del passeggino.
  - C Sganciare il moschettone ed estrarre la linguetta dall'imbottitura del seggiolino.
- 40 Ribaltare lo schienale sulle ruote.  
Sollevare il tessuto del sedile e rimuoverlo dai bottoni.
- 41 Partendo dal fondo, estrarre l'imbottitura del seggiolino dal telaio del passeggino su entrambi i lati.

42 Partendo dall'alto, estrarre l'imbottitura del seggiolino dal telaio su entrambi i lati.

- 43 Rimuovere l'imbottitura del seggiolino.  
Eseguire l'operazione in senso inverso per reinserire l'imbottitura nel telaio.

⚠ **AVVERTENZA:** Assicurarsi che tutti i dispositivi di fissaggio siano chiusi correttamente quando viene reinstallato l'imbottitura del seggiolino.

# CURA E MANUTENZIONE

Per preservare la durata del passeggino, è importante eseguire alcune semplici operazioni di manutenzione a intervalli regolari. Di quando in quando, assicurarsi che i giunti e le aree interessate quando viene chiuso il passeggino siano ancora in buone condizioni. Nel caso vengano uditi cigolii o scricchiolii o venga avvertita tensione, portare il passeggino in un negozio di biciclette per farlo lubrificare. Tutte le riparazioni devono essere eseguite esclusivamente da un rivenditore autorizzato.

## LAVAGGIO

### Tessuto del sedile

- È possibile lavare a mano il sedile del passeggino in acqua fredda con un detersivo delicato.
- Assicurarsi di rimuovere il telaio metallico e i pannelli in PE dal sedile prima del lavaggio.
- Non utilizzare solventi né materiali di pulizia caustici o abrasivi.
- Per ridurre il possibile restringimento, limitarsi a reinserire il sedile sul telaio e lasciarlo asciugare.
- Evitare di stirare, asciugare a secco, centrifugare o strizzare il tessuto.
- Se la copertura del sedile deve essere sostituita, utilizzare esclusivamente pezzi di ricambio di un rivenditore autorizzato Baby Jogger. Sono gli unici garantiti come collaudati con sicurezza e appositamente progettati per questa seduta.

### Parti in plastica/metallo

- Pulire strofinando con un sapone delicato e acqua calda.
- È vietato rimuovere, smontare o alterare qualsiasi pezzo del meccanismo di chiusura della seduta o i freni.

### Manutenzione delle ruote

- Le ruote possono essere pulite utilizzando un panno umido. Le ruote dovranno essere asciugate completamente con un panno o un asciugamano morbidi.

### CONSERVAZIONE

- La luce del sole può far scolorire il tessuto e far seccare le gomme delle ruote, perciò conservando il passeggino al chiuso verrà mantenuto l'aspetto originale.
- NON conservare all'aperto.
- Assicurarsi che il passeggino sia asciutto prima di riporlo per periodi prolungati.
- Conservare sempre il passeggino in un ambiente asciutto.
- Conservare il passeggino in un luogo sicuro quando non viene utilizzato (cioè dove i bambini non possano giocare con esso).
- NON collocare oggetti pesanti sopra il passeggino.
- NON conservare il passeggino nelle vicinanze di una fonte di calore diretto, ad esempio un termosifone o un camino.

## Garanzia limitata a vita di Baby Jogger

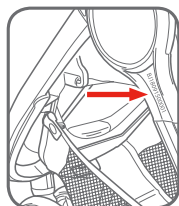
Baby Jogger garantisce che il telaio è esente da difetti di produzione per l'intera durata del prodotto. I difetti di produzione includono - ma non sono limitati a - rottura delle saldature e danni delle tubazioni del telaio. Tessuti o materiali soffici e tutti gli altri componenti saranno garantiti per un anno dalla data d'acquisto (ad eccezione delle camere d'aria e degli pneumatici delle ruote). È richiesta la prova d'acquisto in caso di reclami sulla garanzia e la garanzia è estesa esclusivamente all'acquirente originale.

QUESTA GARANZIA NON COPRE QUANTO SEGUE:

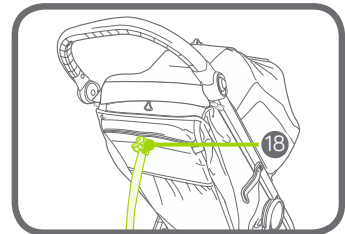
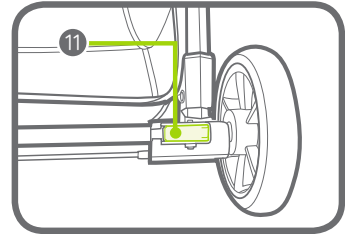
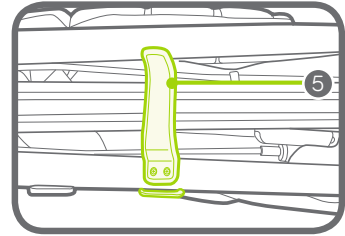
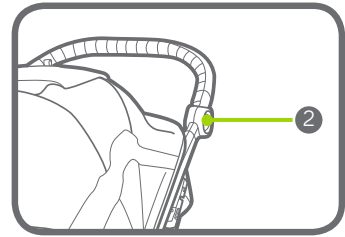
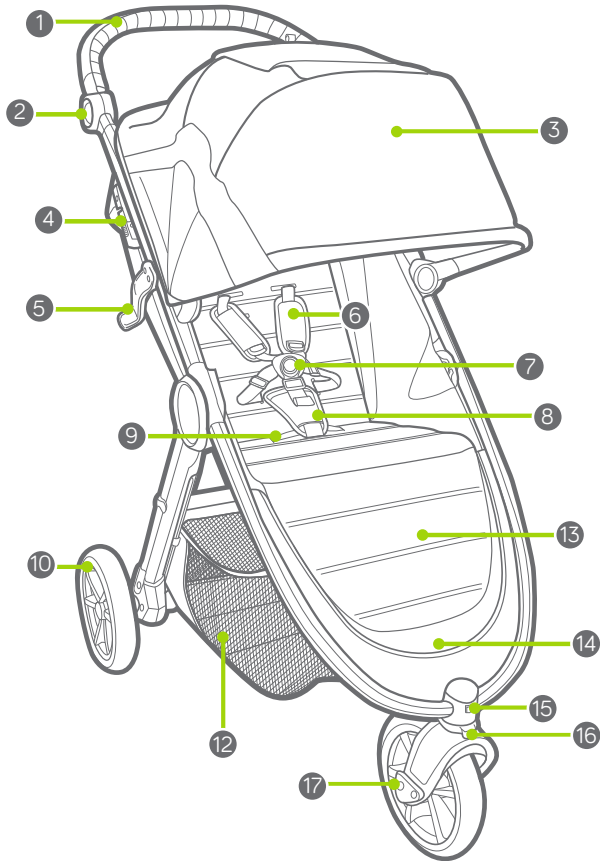
- Normale usura
- Corrosione o ruggine
- Montaggio non corretto, oppure installazione di pezzi o accessori di terzi non compatibili con il design originale
- Danno, abuso o negligenza accidentali o intenzionali, oppure uso su scale o scale mobili.
- Uso commerciale
- Conservazione/cura non corrette del prodotto

Questa garanzia esclude specificamente reclami per danni indiretti, incidentali o consequenziali. Le garanzie implicite di commerciabilità e idoneità per uno scopo particolare si intendono in conformità al periodo di garanzia specifico per questo modello al momento dell'acquisto. Alcuni stati non consentono l'esclusione o la limitazione dei danni incidentali o consequenziali, perciò le limitazioni o esclusioni sopra descritte potrebbero non applicarsi in tutti i casi. Questa garanzia conferisce all'utilizzatore diritti legali specifici, nonché eventuali altri diritti che potrebbero variare da stato a stato. Per conoscere i diritti legali in vigore nel proprio stato, consultare l'ufficio clienti locale o statale oppure il procuratore generale dello stato.

Se il passeggino non è stato acquistato negli Stati Uniti, contattare il distributore del paese più vicino. Le loro informazioni di contatto sono reperibili sul nostro sito all'indirizzo <http://www.babyjogger.com/retailers/#international>. I reclami per la garanzia all'esterno del paese in cui il prodotto è stato acquistato potrebbero implicare spese di spedizione.



NOTA: Quando viene contattato il distributore Baby Jogger, tenere a portata di mano il numero di serie del passeggino. Tale numero è reperibile sotto lo snodo sull'esterno della gamba posteriore.



- |   |                         |    |                          |
|---|-------------------------|----|--------------------------|
| 1 | Griff                   | 10 | Hinterrad                |
| 2 | Einstellknopf Griffhöhe | 11 | Hinterrad-Freigabeknopf  |
| 3 | Verdeck                 | 12 | Ablagekorb               |
| 4 | Parkbremse              | 13 | Wadenstütze              |
| 5 | Auto-Lock               | 14 | Fußraum                  |
| 6 | Gurtpolster             | 15 | Vorderrad-Freigabeknopf  |
| 7 | Gurtschloss             | 16 | Vorderrad drehbar/fest   |
| 8 | Schrittgurtpolster      | 17 | Vorderrad                |
| 9 | Faltegurt               | 18 | Rückenlehne-Verstellgurt |



## WARNUNG

Wichtig – Sorgfältig lesen und für späteres Nachschlagen aufbewahren.

Die Sicherheit Ihres Kindes kann beeinträchtigt werden, wenn Sie diese Anleitung nicht befolgen.

### WARNUNG

- Lassen Sie das Kind nie unbeaufsichtigt.
- Verwenden Sie immer das Rückhaltesystem.
- Dieses Produkt ist nicht zum Joggen oder Skaten geeignet.
- Vergewissern Sie sich vor Gebrauch, dass alle Verriegelungen eingerastet sind.
- Vergewissern Sie sich, dass das Kind beim Aufklappen und Zusammenklappen des Wagens außer Reichweite ist, um Verletzungen zu vermeiden.
- Um Verletzungen zu vermeiden, müssen Kindertischchen und Bauchbügel beim Zusammenklappen und Aufklappen des Buggys abgenommen werden.
- Lassen Sie das Kind nicht mit dem Produkt spielen.
- Autositze, die auf einem Buggy-Fahrgestell montiert sind, ersetzen weder Gitterbett noch Bett. Wenn Ihr Kind schlafen muss, sollte es in einen geeigneten Kinderwagen, in ein geeignetes Gitterbett oder in ein geeignetes Bett gelegt werden.
- Jede Last am Griff und/oder an der Hinterseite der Rückenlehne und/oder seitlich am Kinderwagen beeinträchtigt die Stabilität des Kinderwagens.
- Wir empfehlen, für Neugeborene stets die flachste Liegesitzeinstellung zu verwenden.
- Stellen Sie die Bremsen fest, bevor Sie Ihr Kind ein- und aussteigen lassen, sowie immer dann, wenn der Kinderwagen sich nicht bewegt.
- Vergewissern Sie sich, dass die Bremse richtig eingerastet ist, indem Sie den Buggy leicht vor und zurück bewegen.
- Der Kinderwagen ist nicht dafür gedacht, Kinder die Treppen oder Rolltreppen hinauf oder hinunter zu transportieren. Daraus entstehende Schäden am Kinderwagen fallen nicht unter die Garantie.
- Es darf nur von Baby Jogger zugelassenes Zubehör verwendet werden.
- Achten Sie auf Autos - gehen Sie niemals davon aus, dass der Fahrer Sie und Ihr Kind sieht.
- Das Kind muss stets sitzen (darf nicht stehend im Kinderwagen mitfahren).
- Verwenden Sie ausschließlich von Baby Jogger gelieferte oder genehmigte Ersatzteile.

### ZUSÄTZLICHE SICHERHEITSINFORMATIONEN

- Dieser Kinderwagen hat Platz für ein Kind. Lassen Sie NIE mehr als ein Kind auf einmal auf diesen Kinderwagen.



- Der Sitz ist für ein Kind ab Geburt bis zu einem Körpergewicht von 22 kg geeignet
- Das für diesen Kinderwagen empfohlene Gesamtgewicht beträgt 28 kg, 22 kg im Sitz, 1 kg in der Rückenlehentasche und 4,5 kg im Ablagekorb. Eine zu große Gewichtsbelastung kann zu einem gefährlichen instabilen Zustand führen.

## Rahmen

- 1 Nehmen Sie den Rahmen aus der Verpackung und legen Sie die Räder beiseite.  
Entriegeln Sie den Kinderwagen, indem Sie den Auto-Lock Hebel ziehen.
  - 2 Klappen Sie den Kinderwagen auf, indem Sie den Griff vom Rahmen weg anheben. Der Kinderwagen rastet ein und Sie hören ein Klicken.
  - 3 Stellen Sie den Kinderwagen aufrecht.
- ⚠️ WARNUNG:** Vergewissern Sie sich vor Gebrauch, dass alle Verriegelungen eingerastet sind.

## VORDERRAD

- 4 Montage
  - Legen Sie den Kinderwagen so auf die Rückseite, dass der Griff auf dem Boden liegt.
  - Befestigen Sie das Vorderrad, indem Sie es auf die Vorderradaufhängung schieben, bis es einrastet. Ziehen Sie sanft am Vorderrad, um sich zu vergewissern, dass es ordnungsgemäß angebracht wurde.
- 5 Abnehmen
  - Ziehen Sie das Vorderrad bei gedrücktem Vorderrad-Freigabeknopf sanft aus der Vorderradaufhängung.

## SCHWENKRAD-FUNKTION

- 6 Drücken Sie den Schwenkverriegelungsknopf nach unten und schieben Sie die Schwenkverriegelung nach links, um die Vorderräder für weite Fahrten festzustellen.
  - 7 Drücken Sie den Schwenkverriegelungsknopf nach unten und schieben Sie die Schwenkverriegelung nach rechts, um die Vorderräder schwenkbar zu machen.
- ⚠️ WARNUNG:** Stellen Sie das Vorderrad zum Ein- und Aussteigen des Kindes fest. Das Vorderrad Ihres Buggys kann

zwar festgestellt werden, aber er ist nicht zum Joggen oder für sportliche Zwecke gedacht.

## REAR WHEELS

- 8 HINTERRÄDER
  - Halten Sie die Hinterradachse so, dass sie mit der Radhalterung am Buggyrahmen fluchtet, und stecken Sie sie auf die Radhalterung, bis sie einrastet. Sie hören ein Klicken.
  - Ziehen Sie sanft am Hinterrad, um sich zu vergewissern, dass es ordnungsgemäß angebracht wurde.
- 9 Abnehmen
  - Ziehen Sie das Hinterrad bei nach unten gedrücktem Rad-Freigabeknopf sanft aus der Radhalterung.

## PARKBREMSE

- 10 So stellen Sie die Bremsen fest: Ziehen Sie den Bremshebel sanft senkrecht, bis er einrastet.
  - 11 So lösen Sie die Bremsen: Drücken Sie die grauen Laschen zusammen und ziehen Sie den Hebel zu sich. Drücken Sie den Bremshebel nach unten, bis er parallel zum Rahmen steht.
- ⚠️ WARNUNG:** Stellen Sie die Bremsen fest, bevor Sie Ihr Kind ein- und aussteigen lassen, sowie immer dann, wenn der Buggy sich nicht bewegt.

## VERDECK

- 12 Befestigen Sie das Verdeck am Rahmen, indem Sie das Verdeck in eine der beiden Halterungen schieben. Zum Abnehmen schieben Sie das Verdeck aus den Halterungen.
 

HINWEIS: Bei Verwendung eines Autositzes des Typs City Go/Graco oder Britax muss sich das Verdeck in der oberen Position befinden. Bei allen anderen Autositzen muss das Verdeck abgenommen werden.
- 13 Befestigen Sie die zwei Druckknöpfe am Fahrgestell des Buggys.


- 14 Befestigen Sie das Verdeck mit dem Reißverschluss an der Rückseite des Sitzes.  
Bringen Sie die 2 Befestigungsbänder seitlich am Verdeck an.
- 15 Ziehen Sie den Baldachin nach vorne, um das Verdeck zu öffnen, und drücken Sie ihn nach hinten, um das Verdeck zu schließen.
- 16 Das Verdeck hat zwei Fenster: eines oben und eines hinten. Um sie zu benutzen, rollen Sie die Jalousie nach oben und befestigen Sie sie mit dem elastischen Befestigungsband und dem Knauf.

### GRIFF

- 17 Um den Griff in eine von 6 benutzbaren Stellungen zu bringen, drücken Sie die Griffentriegelungen auf beiden Seiten und klappen den Griff nach oben oder nach unten in die neue Stellung.

### EINSTELLEN DER SCHULTERGUERTE

- 18 Lösen Sie die Tasche an der Sitzrückseite und öffnen Sie sie, um den rechtwinkligen Stopper aus Kunststoff zu finden. Drehen Sie den Stopper und schieben Sie ihn durch die Öffnungen in der Kunststoffplatte und durch den Sitzbezug.
- 19 Führen Sie den Stopper dann durch die Öffnung im Sitz, die den Schultern Ihres Kindes am nächsten liegt. Schieben Sie ihn wieder durch den Sitzbezug und durch die Kunststoffplatte. Ziehen Sie ruckartig am Gurt, um zu gewährleisten, dass der Stopper fest sitzt. Auf beiden Seiten wiederholen.

 **WARNUNG:** Vermeiden Sie ernsthafte Verletzungen durch Herausfallen oder rutschen. Der Sicherheitsgurt muss stets richtig eingestellt und angelegt sein.

 **WARNUNG:** Den Schrittgurt immer in Kombination mit den Schultergurten


- und dem Beckengurt verwenden.
- 20 Schieben Sie die Gurtpolster hoch, um die Kunststoff-Führung am Gurt freizulegen.
- 21 Halten Sie die Kunststoff-Führung und ziehen Sie am Gurt, um ihn enger oder weiter zu stellen.

### GEBRAUCH DES SICHERHEITSGURTS

- 22 Stecken Sie die seitlichen Gurtschlossteile auf beiden Seiten in die oberen Gurtschlossteile.
- 23 Stecken Sie die zusammengesetzten seitlichen und oberen Gurtschlossteile jeweils seitlich in der Schrittgurtschloss.
- 24 Zum Lösen drücken Sie den Knopf am Schrittgurtschloss.

### SITZLEHNE NEIGEN

- 25 Drücken Sie die Klammer hinter dem Sitz zusammen und schieben Sie sie nach unten bis zum gewünschten Neigungswinkel.
- 26 Ziehen Sie den Sitz auf beiden Seiten nach unten bis zur Position der Klammer. Gehen Sie in umgekehrter Reihenfolge vor, um die Sitzlehne wieder aufrecht zu stellen.

 **WARNUNG:** Achten Sie darauf, dass der Kopf, die Arme und die Beine Ihres Kindes ausreichend Abstand von sich bewegenden Sitzteilen und vom Buggyrahmen haben, wenn Sie Einstellungen am Buggysitz vornehmen.

- 27 Für zusätzliche Belüftung rollen Sie die Abdeckung an der Sitzrückseite nach oben und sichern sie mit dem elastischen Band und dem Knauf.

### BEINABLAGE

- 28 Zum Verwenden der Beinablage heben Sie die Sitzfläche vorne an.
- 29 Klappen Sie die Stütze aus und lassen Sie die Sitzfläche darauf ab. Verriegeln Sie die Stütze.
- 30 Zum Einklappen der Beinablage gehen Sie in umgekehrter Reihenfolge vor.



## ZUSAMMENKLAPPEN

- Nehmen Sie Ihr Kind aus dem Sitz.
- Lösen Sie die Schwenkverriegelung der Vorderräder.
- Entfernen Sie alle befestigten Zubehörteile und alle Gegenstände aus dem Korb.

**⚠️ WARNUNG:** Um Verletzungen zu vermeiden, müssen Kindertischchen und Bauchbügel beim Zusammenklappen und Aufklappen des Buggys abgenommen werden.

- 31 Drücken Sie die Tasten auf beiden Seiten des Fahrgestells.  
Drehen Sie den Griff nach oben.
- 32 Stecken Sie den Zeigefinger in die kleine Schlaufe, ziehen Sie dann am Zuklappgriff nach oben und lassen Sie den Rahmen zuklappen.
- 33 Achten Sie darauf, dass der automatische Verriegelungshebel einrastet.

34 Stellen Sie den Buggy aufrecht.

## KORB ABNEHMEN

- 35 Lösen Sie vorne am Buggy die 2 Druckknöpfe und ziehen Sie die Bänder aus dem Fußraum.
- 36 Heben Sie den Korb vom Haken ab.
- 37 Heben Sie den Korb an der Hinterseite an beiden Seiten des Rahmens aus der Halterung.
- 38 Ziehen Sie den Gurt an beiden Seiten des Rahmens aus dem Haltebügel.

## DAS SITZPOLSTER ABNEHMEN

- 39 Drehen Sie den Buggy um, sodass die Sitzunterseite zu sehen ist.
  - A Lösen Sie die 2 Befestigungsbänder und ziehen Sie sie aus dem Rahmen des Buggys.
  - B Lösen Sie das Befestigungsband und ziehen Sie sie aus den Seiten des Buggyrahmens.
  - C Schrauben Sie den rechten Karabinerhaken auf und ziehen Sie das Befestigungsband aus dem Sitzpolster.

40 Stellen Sie den Sitz wieder auf seine Räder. Ziehen Sie den Sitzbezug nach oben und von den Knöpfen ab.

41 Schieben Sie das Sitzpolster an beiden Seiten vom Rahmen des Buggys. Beginnen sie dabei unten.

42 Schieben Sie das Sitzpolster von oben an beiden Seiten vom Rahmen des Buggys.

43 Ziehen Sie das Sitzpolster ab. Zum Anbringen des Sitzpolsters am Rahmen gehen Sie in umgekehrter Reihenfolge vor.

**⚠️ WARNUNG:** Vergewissern Sie sich, dass alle Befestigungen ordnungsgemäß verschlossen sind, wenn Sie das Sitzpolster wieder anbringen.

# WARTUNG UND PFLEGE

Damit Sie lange Freude an Ihrem Buggy haben, ist es wichtig, einige einfache Hinweise zur regelmäßigen Pflege zu beachten. Vergewissern Sie sich von Zeit zu Zeit, dass die Gelenke und Klappbereiche in gutem Zustand sind. Falls Sie Quietschgeräusche hören oder Widerstände spüren, können Sie Ihren Buggy in einem Fahrradgeschäft ölen lassen. Reparaturen sollten nur von einem Vertragshändler durchgeführt werden.

## WASCHHINWEISE

### Sitzbezug

- Sie können den Sitz Ihres Buggys mit einem Feinwaschmittel von Hand waschen.
- Achten Sie vor dem Waschen darauf, den Metallrahmen und die Kunststoffplatten vom Sitz abzunehmen.
- Keine Lösungsmittel, ätzende oder scheuernde Reinigungsmittel verwenden.
- Befestigen Sie den Sitz zum Trocknen einfach am Rahmen, damit er so wenig wie möglich einläuft.
- Den Stoff weder mangeln noch bügeln, chemisch reinigen, in den Wäschetrockner geben oder auswringen.
- Falls der Sitzbezug ausgetauscht werden muss, dürfen ausschließlich Teile von einem Baby-Jogger-Vertragshändler verwendet werden. Diese sind die einzigen, die garantiert sicherheitsgetestet und für diesen Sitz passend sind.

### Kunststoff-/Metallteile

- Mit einer milden Seife und warmem Wasser sauberwischen.
- Teile des Zuklappmechanismus des Sitzes oder der Bremsen dürfen nicht entfernt, demontiert oder verändert werden.

### Pflege der Räder

- Die Räder können mit einem feuchten Lappen abgewischt werden. Sie müssen mit einem weichen Handtuch oder Lappen vollständig getrocknet werden.

### AUFBEWAHRUNG

- Sonnenlicht kann den Sitzbezug ausbleichen und die Reifen spröde machen. Ihr Buggy sollte daher nicht im Freien aufbewahrt werden, damit er länger gut aussieht.
- NICHT im Freien aufbewahren.
- Achten Sie darauf, dass der Buggy trocken ist, bevor Sie ihn über einen längeren Zeitraum einlagern.
- Bewahren Sie den Buggy stets an einem trockenen Ort auf.
- Bewahren Sie den Buggy an einem sicheren Ort auf, wenn er nicht in Gebrauch ist (d. h. wo Kinder nicht mit ihm spielen können).
- KEINE schweren Gegenstände auf dem Buggy ablegen.
- Den Buggy NICHT in der Nähe direkter Wärmequellen wie z. B. Heizungen oder Feuer aufbewahren.

# Eingeschränkte lebenslange Garantie von Baby Jogger:

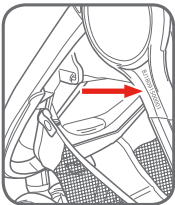
Baby Jogger garantiert über die gesamte Lebensdauer des Produkts, dass der Rahmen frei von Herstellermängeln ist. Herstellermängel sind, ohne darauf beschränkt zu sein, der Bruch von Schweißnähten und Schäden an den Rohren des Rahmens. Für Textilien und weiche Materialien sowie alle anderen Komponenten gilt eine einjährige Gewährleistung ab Kaufdatum (außer für Rohre und Reifen). Zur Geltendmachung von Ansprüchen im Rahmen der Garantie ist ein Kaufnachweis erforderlich und die Garantie gilt nur für den Erstbesitzer.

DIESE GARANTIE GILT NICHT FÜR:

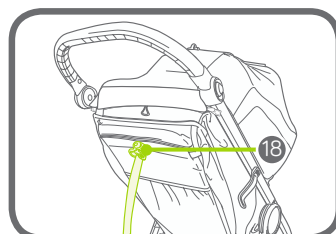
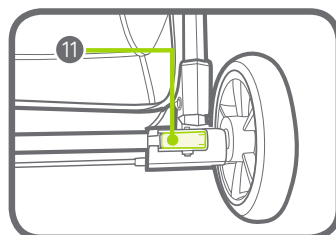
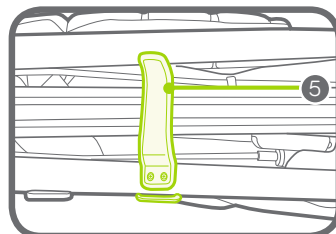
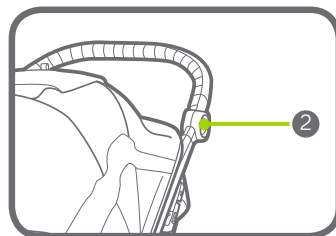
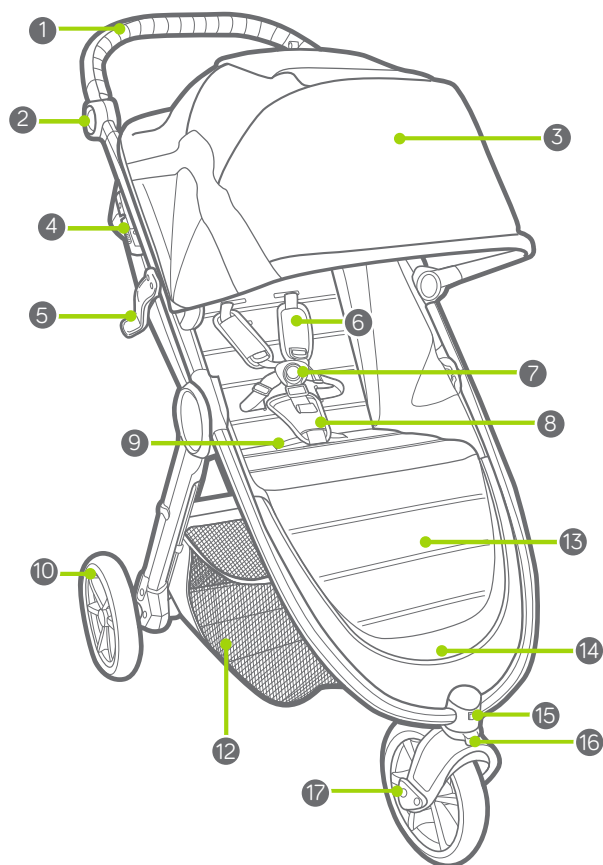
- Normalen Verschleiß
- Korrosion oder Rost
- Falsche Montage oder die Installation von Teilen oder Zubehör von Fremdherstellern, das mit der Original-Bauart inkompatibel ist
- Zufällige oder vorsätzliche Schäden, Missbrauch oder Fahrlässigkeit oder der Gebrauch auf Treppen oder Rolltreppen.
- Gewerblicher Gebrauch
- Falsche Lagerung/Pflege des Produkts

Diese Garantie schließt Schadensersatzansprüche für indirekte, Neben- oder Folgeschäden ausdrücklich aus. Die impliziten Garantien der Verkehrsüblichkeit und Eignung für einen bestimmten Zweck bemessen sich nach dem spezifischen Garantiezeitraum für dieses Modell zum Kaufzeitpunkt. In einigen Ländern dürfen damit einher gehende oder Folgeschäden nicht ausgeschlossen oder eingeschränkt werden, sodass die obigen Einschränkungen bzw. Ausschlüsse für Sie möglicherweise nicht gelten. Diese Garantie gibt Ihnen bestimmte Rechte und Sie könnten darüber hinaus noch weitere Rechte haben, die von Land zu Land unterschiedlich sind. Wenn Sie erfahren möchten, welche Rechte Sie in Ihrem Land haben, fragen Sie beim Verbraucherschutz oder bei der Staatsanwaltschaft Ihres Landes nach.

Falls Ihr Buggy außerhalb der Vereinigten Staaten gekauft wurde, wenden Sie sich bitte an den Vertreiber in dem Land, das Ihnen am nächsten liegt. Dessen Kontaktdaten finden Sie auf unserer Website unter <http://www.babyjogger.com/retailers/#international>. Wenn Garantieansprüche außerhalb des Landes geltend gemacht werden, in dem das Produkt gekauft wurde, können Versandgebühren anfallen.



HINWEIS: Bitte halten Sie die Seriennummer Ihres Buggys bereit, wenn Sie sich mit dem Baby-Jogger-Händler bezüglich Ihres Buggys in Verbindung setzen. Sie finden sie direkt unter der Nabe außen an der Hinterradaufhängung.



- |   |                               |    |                                 |
|---|-------------------------------|----|---------------------------------|
| 1 | Rukojeť                       | 10 | Zadní kolo                      |
| 2 | Skládací tlačítko rukojeti    | 11 | Tlačítko uvolnění zadního kola  |
| 3 | Klenba                        | 12 | Ukládací košík                  |
| 4 | Parkovací brzda               | 13 | Podnožka                        |
| 5 | Zámek složení                 | 14 | Kryt nohou                      |
| 6 | Podložky postroje             | 15 | Tlačítko uvolnění předního kola |
| 7 | Přezka postroje               | 16 | Otočné kolečko / aretace        |
| 8 | Polstr pásku v rozkroku       | 17 | Přední kolo                     |
| 9 | Zajišťovací pásek při složení | 18 | Pásek k naklonění sedátka       |

## UPOZORNĚNÍ

Důležité! Pokyny si pozorně přečtěte a uschovejte pro pozdější použití. Pokud se nebudete řídit návodem, ohrozíte tím bezpečí svého dítěte.

### UPOZORNĚNÍ

- Nikdy nenechávejte dítě bez dozoru.
- Vždy používejte zádržný systém.
- Tento výrobek není vhodný pro běhání nebo jízdu na bruslích.
- Před použitím si ověřte, že jsou všechny zajišťovací prvky zaklesnuty.
- Při skládání a rozkládání tohoto výrobku zajistěte, aby dítě nebylo v kočárku ani poblíž a nemohlo dojít k poranění dítěte.
- Aby nedošlo ke zranění, při skládání a rozkládání kočárku nejprve sejměte dětský odkládací tácek nebo břišní hrazdičku.
- Tento výrobek není hračka. Nedovolte dítěti, aby si s tímto výrobkem hrálo.

### DALŠÍ BEZPEČNOSTNÍ INFORMACE

- Kočárek je určen pro jedno dítě. V kočárku NIKDY nevozte více než jedno dítě.



max 22 kg

- Sedačka je určena pro jedno dítě od narození do hmotnosti 22 kg.
- Doporučené celkové zatížení kočárku je 28 kg, 22 kg na sedátku, 1 kg v zadní kapse sedátka a 4,5 kg v košíku. Nadměrné zatížení může způsobit nebezpečí a nestabilitu.
- Autosedačka použitá společně s šasi nenahrazuje kolébku nebo postýlku. Pokud dítě potřebuje spát, uložte jej do vhodného hlubokého kočárku, kolébky nebo postýlky.

- Zátěž zavěšená na rukojeť, opěrku zad nebo po stranách kočárku, ovlivní stabilitu kočárku.
- Pro novorozence doporučujeme vždy používat úplně sklopenou polohu sedačky.
- Před vkládáním nebo vyjímáním dítěte, nebo kdykoliv se kočárek nepohybuje, zajistěte brzdy.
- Zkontrolujte, že je kočárek řádně zabrzděný (zkuste jím pohnout dopředu a dozadu).
- Kočárek není určen pro převážení dětí nahoru nebo dolů po schodech nebo eskalátorech. Na vzniklé poškození kočárku se nevztahuje záruka.
- Nepoužívejte příslušenství, která nejsou schválena společností Baby Jogger.
- Pozor na auta - nikdy nepředpokládejte, že řidič vidí vás a vaše dítě.
- Pasažér musí zůstat sedět (v kočárku se nestojí).
- Používejte pouze náhradní díly dodané nebo schválené společností Baby Jogger.

## RÁM

- 1 Vybalte rám kočárku z krabice a položte kola na stranu. Zatažením za páčku auto-lock kočárek odemkněte.
- 2 Zdvihněte kryt nohou a sedátko směrem od spodního rámu. Poté zdvihněte rukojeť směrem od sedátka. Kočárek se zacvakne do pozice a uslyšíte cvaknutí.
- 3 Postavte kočárek do vzpřímené polohy.

**VAROVÁNÍ:** Před použitím se ujistěte, že všechny zamykací části jsou zajištěny.

## PŘEDNÍ KOLO

### 4 Instalace

- Položte kočárek kolečky nahoru tak, že je rukojeť položena na zem.
- Přední kolo připevníte vložením do držáku předního kola, až zacvakne. Jemně za kolo zatáhněte a ujistěte se, že je připevněno správně.

### 5 Vyjmutí

- Kolo vyjmete současným stlačením tlačítka uvolnění předního kola a vytažením držáku předního kola.

## FUNKCE OTOČNÉHO KOLEČKA

- 6 Stiskněte tlačítko aretace otočného kolečka dolů a posuňte aretaci otočného kolečka doleva, aby se sestava předního kola uzamkla v pevné poloze na dlouhé jízdy.
- 7 Stiskněte tlačítko aretace otočného kolečka dolů a posuňte aretaci otočného kolečka doprava, aby se sestava předního kola mohla otáčet.

**VAROVÁNÍ:** Přední kolo by mělo být v pevné poloze při vkládání nebo vyjímání dítěte. I když má přední kolo funkci aretace otočného kolečka, není určeno na jogging nebo pohybové aktivity.

## ZADNÍ KOLA

### 8 Instalace

- Osu zadního kola srovnajte s držákem kola na rámu kočárku a kolo vložte do držáku kola, dokud nezacvakne. Uslyšíte cvaknutí.
- Jemně za zadní kolo zatáhněte a ujistěte, že je připevněno správně.

### 9 Vyjmutí

- Kolo vyjmete současným stlačením tlačítka uvolnění zadního kola a vytažením zadního kola z držáku.

## BRZDA

- 10 Uzamčení brzd: opatrně zatáhněte páku brzdy do vzpřímené polohy, až s cvaknutím zapadne na místo.
- 11 Uvolnění brzd: prsty sevřete šedé jazýčky a páku brzdy přitáhněte k sobě. Zatlačte páku brzdy dolů, až bude paralelně s rámem.

**VAROVÁNÍ:** Brzdy by měly být zabrzděné před vkládáním nebo vyjímáním dítěte, nebo kdykoliv se kočárek nepohybuje.

## KLENBA

- 12 K rámu připevněte stříšku tak, že ji nasunete na dva montážní úchyty. Sesunutím z úchytů stříšku sejměte.

**POZNÁMKA:** Pokud používáte autosedačku City Go/Graco nebo Britax, musí být stříška v horní poloze. U všech ostatních autosedaček se stříška musí sundat.

- 13 Připněte dva patenty k rámu kočárku.
- 14 Zipem připevněte stříšku k zadní straně sedátka. Zapněte 2 upevňovací pásy na straně stříšky.
- 15 Zatažením dopředu stříšku otevřete a zatlačením dozadu stříšku zavřete.

- 16 Ve stříšce jsou dvě okénka, horní a zadní. Používají se tak, že vyrolujete roletku nahoru a zajistíte ji gumovým poutkem na knoflík.

### RUKOJEŤ

- 17 Rukojeť uvedete do jedné ze 6 poloh při použití stisknutím tlačítek uvolnění rukojeti na obou stranách a otočením nahoru nebo dolů do nové polohy.

### NASTAVENÍ BEZPEČNOSTNÍHO POSTROJE

- 18 Na zadní straně sedátka rozepněte a otevřete kapsu a vyhledejte plastovou hranatou záračku. Otočte záračku a protáhněte ji skrz otvor v PE desce a látce sedáku.
- 19 Znovu vložte záračku do otvoru co nejlíže k ramenům dítěte. Prostrčte ji zpět skrz látku sedátka a PE desku. Zatáhněte za pásek a ujistěte se, že je správně upevněn. Opakujte na obou stranách.

**VAROVÁNÍ:** Vyhnete se vážným zraněním při vypadnutí nebo vyklouznutí. Vždy správně nastavte a zapínejte bezpečnostní postroj.

**VAROVÁNÍ:** Vždy používejte popruh v rozkroku v kombinaci s ramenními popruhy a bederním pásem.

- 20 Posuňte podložky postroje nahoru k plastovým vodítkům na popruhu.

- 21 Držte plastové vodítko a zatažením za pásek utáhněte nebo povolte.

### POUŽÍVÁNÍ BEZPEČNOSTNÍHO POSTROJE

- 22 Vložte přezky bočního popruhu do přezek postroje na obou stranách.

- 23 Vložte spojené přezky postroje a bočních popruhů do stran přezky rozkroku.

- 24 Uvolníte zatlačením tlačítka na přezce rozkroku.

### SKLOPENÍ SEDÁTKA

- 25 Sevrete sponu za sedátkem a posuňte sedátko dolů na požadované naklonění.

- 26 P Sedátko na obou stranách stáhněte dolů na úroveň spony. Zpět do vzpřímené pozice kroky opakujte.

**VAROVÁNÍ:** Ve chvíli, kdy upravujete nastavení sedátka kočárku, se ujistěte, že hlavička, ruce a nohy dítěte jsou mimo pohyblivé části sedátka a rámu kočárku.

- 27 Lepší větrání zajistíte tak, že vyrolujete roletku opěradla sedátka nahoru a zajistíte gumovým poutkem na knoflík.

### PODNOŽKA

- 28 Pokud chcete použít podnožku, nadzvedněte přední část podsedáku.

- 29 Vytočte podpurné rameno ven a vraťte podsedák zpět. Zajistěte podpurné rameno.

- 30 Podnožku zasunete obráceným postupem.

### SLOŽENÍ

- Vyjměte dítě ze sedačky.
- Uvolněte aretaci předního kola.
- Sundejte veškeré příslušenství a z košíku vyjměte všechny věci.

**VAROVÁNÍ:** Aby nedošlo ke zranění, při skládání a rozkládání kočárku nejprve sejměte dětský odkládací tácek nebo břišní hrazdičku.

- 31 Stiskněte tlačítka na obou stranách rámu.

Otočte rukojeť nahoru.

- 32 Vložte ukazováček do malé smyčky, zatáhněte za rukojeť pro složení s nápisem „Pull to Fold“ a nechte rám složit.

- 33 Ujistěte se, že páka auto-lock zacvakne na své místo.

- 34 Kočárek skladujte nastojato ve vzpřímené poloze.

### VYJMUTÍ KOŠÍKU


- 35 Zepředu kočárku odepněte 2 patenty a vytáhněte popruhy ven z

oddílu pro nohy.

- 36 Nadzvedněte košík z háčku.
- 37 Zezadu nadzvedněte horní část košíku z úchytů na obou stranách rámu.
- 38 Sejměte popruh ze svorky ve tvaru C na obou stranách rámu.

### SEJMUTÍ POLSTRU SEDÁTKA

- 39 Převraťte kočárek, aby byla přístupná dolní část sedátka.
  - A Rozepněte 2 upevňovací pásy a vytáhněte je z rámu kočárku.
  - B Rozepněte upevňovací pásek a vytáhněte jej po stranách rámu kočárku.
  - C Odšroubujte pravou karabinku a vytáhněte pásek ven z podsedáku.
- 40 Převraťte kočárek zpátky na kola. Zatáhněte za látku směrem vzhůru a od knoflíků.
- 41 Zespolu vysuňte podsedák na obou stranách z rámu kočárku.
- 42 Seshora vysuňte podsedák na obou stranách z rámu.
- 43 Vyměňte podsedák.  
Při připevňování podsedáku k rámu kroky otočte.

 **VAROVÁNÍ:** Při navlékání podsedáku zpět na sedátko dbejte, aby všechny upevňovací prvky byly řádně uzavřeny.



# PÉČE A ÚDRŽBA

Aby byla zachována životnost kočárku, je důležité provádět jednoduchou, pravidelnou údržbu. Čas od času se ujistěte, že klouby a skládací oblasti jsou stále v dobrém stavu. Pokud uslyšíte jakékoliv vrzání nebo ucítíte napětí, vezměte kočárek do místního cykloservisu, aby ho promazali. Veškeré opravy by měl provádět pouze autorizovaný prodejce.

## ČIŠTĚNÍ

### Potah sedáku

- Sedátko kočárku můžete ručně prát ve studené vodě s jemným saponátem.
- Před praním ze sedátka odstraňte kovový rám a PE desky.
- Nepoužívejte rozpouštědla, agresivní nebo abrazivní čisticí prostředky.
- Pro minimalizaci srážení jednoduše znovu připojit sedák k rámu, aby uschnul.
- Látku nemandlujte, nežehlete, nečistěte chemicky, nesušte v sušičce a neždímejte.
- Pokud je potřeba potahy vyměnit, používejte pouze díly od autorizovaného prodejce Baby Jogger. Pouze na ty se poskytuje záruka, že byly testovány z hlediska bezpečnosti a navrženy tak, aby na sedák pasovaly.

### Plastové / kovové díly

- Otrěte hadříkem namočeným ve vlažné vodě s jemným saponátem.
- Nesmíte odstranit, demontovat nebo upravovat jakoukoli část mechanismu skládacího sedadla nebo brzd.

### Údržba koleček

- Kolečka lze čistit vlhkým hadříkem. Je třeba je zcela vysušit měkkou utěrkou nebo hadříkem.

## SKLADOVÁNÍ

- Sluneční záření může způsobit vyblednutí tkaniny sedátka a vyschnutí pneumatik. Proto ukládáním kočárku vevnitř prodloužíte jeho dobrý vzhled.
- NESKLADUJTE venku.
- Před skladováním na delší dobu se ujistěte, že je kočárek suchý.
- Kočárek vždy skladujte v suchém prostředí.
- Pokud kočárek nepoužíváte, skladujte jej na bezpečném místě (např. tam, kde si s ním nemohou hrát děti).
- NEPOKLÁDEJTE na kočárek těžké předměty.
- Kočárek NESKLADUJTE v blízkosti přímého zdroje tepla, např. radiátoru nebo krbu.

# Omezená doživotní záruka společnosti Baby Jogger:

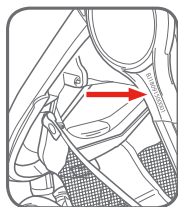
Společnost Baby Jogger zaručuje, že rám bude po celou dobu životnosti výrobku bez výrobních vad. Výrobní vady zahrnují kromě jiného zlomení svárů a poškození trubky rámu. Textil nebo měkké materiály a všechny ostatní součásti jsou kryty zárukou po dobu jednoho roku od data nákupu (s výjimkou trubek a pneumatik). Při reklamaci je požadován doklad o koupi a záruka se vztahuje pouze na původního kupujícího.

## ZÁRUKA SE NEVZTAHUJE NA:

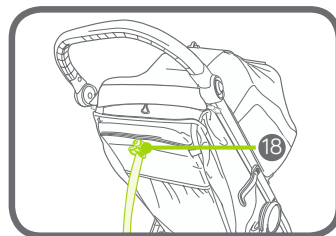
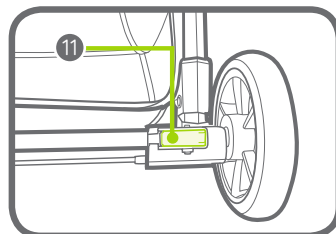
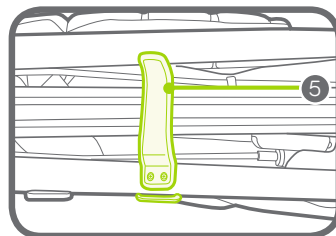
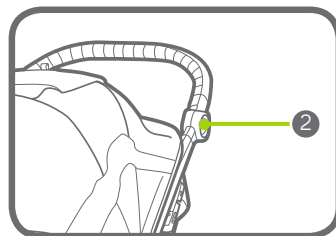
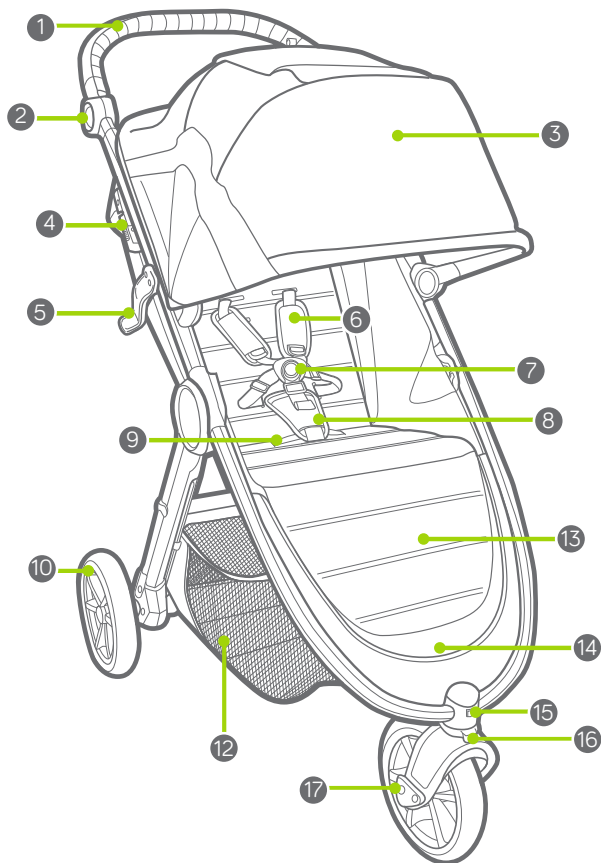
- Běžné opotřebení
- Korozi a rez
- Chybnou montáž, nebo instalaci součástí nebo příslušenství třetích stran, které nejsou kompatibilní s originálním designem
- Náhodné nebo úmyslné poškození, zneužívání nebo zanedbávání, nebo použití na schodech nebo eskalátorech.
- Komerční využití
- Nesprávné skladování / péči o výrobek

Tato záruka výslovně vylučuje nároky na nepřímé, náhodné nebo následné škody. Předpokládané záruky obchodovatelnosti a vhodnosti pro konkrétní účel, v závislosti na konkrétní záruční době pro tento model v době nákupu. Některé státy nedovolují vyloučení nebo omezení náhodných nebo následných škod, takže výše uvedená omezení nebo vyloučení se na vás nemusí vztahovat. Tato záruka vám poskytuje specifická zákonná práva a můžete mít také další práva, která se liší stát od státu. Chcete-li vědět, jaká jsou vaše zákonná práva ve vašem státu, obraťte se na místní nebo státní úřad pro záležitosti spotřebitelů nebo státního zástupce vašeho státu.

Pokud byl váš kočárek zakoupen mimo území Spojených států, obraťte se prosím na distributora v nejbližší zemi. Jejich kontaktní informace naleznete na našich webových stránkách <http://www.babyjogger.com/retailers/#international>. U záručních nároků mimo zemi, ve které byl výrobek zakoupen, mohou být účtovány poplatky za dopravu.



**POZNÁMKA:** Pokud budete kontaktovat distributora kočárku Baby Jogger s dotazy o vašem kočárku, připravte si laskavě sériové číslo kočárku. Naleznete ho těsně pod středem kola na vnější straně zadní nohy.



- |   |                         |    |                         |
|---|-------------------------|----|-------------------------|
| 1 | Styr                    | 10 | Baghjul                 |
| 2 | Foldningsknop på styret | 11 | Udløserknop til baghjul |
| 3 | Kaleche                 | 12 | Opbevaringskurv         |
| 4 | Parkeringsbremse        | 13 | Benstøtte               |
| 5 | Automatiske låsehåndtag | 14 | Vognbund                |
| 6 | Selepuder               | 15 | Udløserknop til forhjul |
| 7 | Selespænde              | 16 | Drejeled//lås           |
| 8 | Skridtrempe             | 17 | Forhjul                 |
| 9 | Folderem                | 18 | Tilbagelæningsrem       |

## ADVARSEL

Vigtigt – Læs omhyggeligt og gem til senere brug.  
Dit barns sikkerhed kan påvirkes, hvis du ikke følger disse instruktioner.

### ADVARSEL

- Efterlad aldrig barnet uden opsyn.
- Brug altid selen.
- Dette produkt er ikke egnet til løb eller rulleskøjteløb.
- Sikre, at alle låseanordninger er låst før brug.
- Hold barnet væk fra dette produkt under udfoldning og sammenklapning, for at undgå at barnet kommer til skade.
- For at forhindre personskade skal du fjerne bakkebordet eller frontbøjle-tilbehøret ved foldning eller udfoldning af klapvognen.
- Lad ikke barnet lege med dette produkt.

### YDERLIGERE SIKKERHEDSOPLYSNINGER

- Denne klapvogn er for én passager. Tillad ALDRIG mere end ét barn på denne klapvogn.



max 22 kg

- Sædeenheden er beregnet til børn fra fødslen op til 22 kg.
- Samlet anbefalet vægtbelastning for denne klapvogn er 28 kg. 22 kg i sædet, 1 kg i ryglænets lomme, og 4,5 kg i kurven. Overvægt kan forårsage en farlig ustabil situation.
- For autostole, der bruges sammen med et chassis, erstatter dette køretøj ikke en babylift eller en seng. Har dit barn brug for at sove, bør det placeres i en passende barnevognskasse, babylift eller seng.

- Enhver belastning, der er fastgjort til styret og/eller på bagsiden af ryglænet og/eller på køretøjets sider, vil påvirke bilens stabilitet.
- For nyfødte babyer anbefaler vi altid at bruge den mest tilbagelænedede sædeposition.
- Lås bremserne, før barnet sættes i og tages ud, samt når som helst klapvognen ikke er i bevægelse.
- Sørg for, at bremsen er gået korrekt i indgreb ved at flytte klapvognen lidt frem og tilbage.
- Klapvognen er ikke beregnet til at transportere børn op eller ned ad trapper eller rulletrapper. Hvis klapvognen skades som følge heraf, vil den ikke være dækket af garantien.
- Tilbehør, der ikke er godkendt af Baby Jogger, må ikke anvendes.
- Pas på biler - antag aldrig, at en bilist kan se dig og dit barn.
- Passageren skal forbliver siddende (må ikke stå i klapvognen).
- Brug kun reservedele, der leveres eller anbefales af Baby Jogger.

## RAMME

- 1 Tag klapvognens ramme ud af boksen og sæt hjulene til side. Lås klapvognen op ved at trække i det automatiske låsehåndtag.
- 2 Løft vognbunden og sædet væk fra den nederste ramme. Løft derefter styret væk fra sædet. Klapvognen låses på plads og du vil høre et klik.
- 3 Placer klapvognen i oprejst position.

**⚠ ADVARSEL:** Sørg for, at alle de låsende enheder er i indgreb før brug.

## FORHJUL

### 4 Installation

- Læg klapvognen ned på ryggen, så styret hviler på gulvet.
- Fastspænd forhjulet ved at skubbe det ind i forhjulsmonteringen, indtil det klikker på plads. Træk forsigtigt på forhjulet for at sikre, at det er korrekt fastgjort.

### 5 Fjernelse

- Idet der trykkes på forhjulets udløserknop, skal du forsigtigt lade forhjulet glide ud af forhjulsmonteringen.

## DREJEFUNKTION

- 6 Tryk knappen til drejeleddets lås ned og skub drejeleddets lås mod venstre for at låse forhjulets samling i en fast position for kørsel med klapvognen på lange distancer.
- 7 Tryk knappen til drejeleddets lås ned og skub drejeleddets lås mod højre for at tillade, at forhjulets samling kan dreje.

**⚠ ADVARSEL:** Når et barn tages ud og indsættes, skal forhjulet låses i en fast position. Selvom din klapvogns forhjul låser, er klapvognen ikke beregnet til jogging eller motionsformål.

## BAGHJUL

### 8 Installation

- Juster baghjulets aksel med hjulmonteringen på klapvognens ramme og indsæt den i hjulmonteringen, indtil den låser på plads. Du vil høre et klik.
- Træk forsigtigt på baghjulet for at sikre, at det er korrekt fastgjort.

### 9 Fjernelse

- Idet du trykker ned på hjulets udløserknop, skal baghjulet forsigtigt skubbes ud af hjulmonteringen.

## BREMSE

10 Sådan låses bremserne: Træk forsigtigt bremsegrebet til opretstående position, indtil det klikker på plads.

11 Sådan frigives bremsen: Klem de grå flige og træk grebet mod dig. Skub bremsegrebet ned, indtil det er parallelt med rammen.

**⚠ ADVARSEL:** Lås bremserne før du indsætter dit barn og tager det ud, og når som helst klapvognen ikke bevæger sig.

## KALECHE

12 Fastgør kalechen til rammen ved at skubbe kalechen over på en af to monteringskonsoller. For at fjerne den, skal kalechen skubbes af konsollerne.

BEMÆRK: Når du bruger en City Go/Graco- eller Britax-autostol, skal kalechen være i øverste position. For alle andre autostole skal kalechen fjernes.

- 13 Tryk de to trykknapper fast til klapvognens ramme.
- 14 Lyn bagsiden af sædet til kalechens top. Fastgør de 2 fastgørelsesstrimler på kalechens bagside. Træk fremad for at åbne kalechen
- 15 Træk fremad for at åbne kalechen og træk bagud for at lukke kalechen.

16 Der er to kalechevinduer, et foroven og et bagpå. For at bruge dem, skal du rulle skyggen op mod toppen og fastgøre den med elastikken og knappen.

### HÅNDTAG

17 For at skifte håndtaget til en af 6 brugspositioner, skal du trykke på håndtagets udløserknapper på begge sider og dreje op eller ned til den nye position.

### JUSTERING AF SIKKERHEDSSELERNE

18 Fra bagsiden af sædet skal lommen løsnes og åbnes og den firkantede plastikprop findes. Drej proppen og lad den passere gennem åbningerne i PE-brættet og sædets betræk.

19 Sæt proppen på plads igen i åbningen tættest på barnets skuldre. Før den tilbage gennem sædets betræk og PE-brættet. Træk i remmen for at sikre, at proppen er låst. Gentag på begge sider.

**⚠ ADVARSEL:** Undgå alvorlig personskade fra fald eller udglidning. Sikkerhedssele skal altid justeres og fastgøres korrekt.

**⚠ ADVARSEL:** Brug altid skridtremmen i kombination med skulderremmene og hoftebæltet.

20 Lad selepuderne glide op for at få adgang til plastikindføringen på remmen.

21 Hold plastikindføringen og træk i remmen for at stramme eller løsne.

### BRUG AF SIKKERHEDSSELE

22 Indsæt sideremmens spænde i selespændet på begge sider.

23 Sæt det tilsluttede seletøj og sideremsspænderne ind i skridtspændets sider.

24 Tryk på knappen på skridtspændet for at frigive.

25 Tryk klemmen bag sædet sammen, og glid ned til den ønskede tilbagelæning.

26 Træk sædet ned i begge sider for at matche klemmens position. Følg trinene i omvendt rækkefølge for at gå tilbage til oprejst position.

**⚠ ADVARSEL:** Når du foretager justeringer til klapvognens sæde, skal du kontrollere, at barnets hoved, arme og ben er væk fra sædets bevægelige dele og klapvognens ramme.

27 For ekstra ventilation skal du rulle flappen på ryglænet op og fastgøre den med elastik og knap.

### BENSTØTTE

28 For at bruge benstøtten skal du løfte forsiden af sædepuden.

29 Drej støttearmen ud og sænk sædepuden. Lås støttearmen.

30 Følg trinene i omvendt rækkefølge for at sænke benstøtten.

### FOLDNING

- Tag dit barn ud af sædet.
- Frigør låsene i forhjulenes drejeled.
- Fjern alt tilbehør og alle ting fra kurven.

**⚠ ADVARSEL:** For at forhindre personskade skal du fjerne bakkebordet eller frontbøjle-tilbehøret ved foldning eller udfoldning af klapvognen.

31 Tryk på knapperne på begge sider af rammen. Drej styret op.

32 Før pegefingern ind i lille løkke, træk op på "Træk for at folde"-foldehåndtaget og lad rammen klappe sammen.

33 Sørg for, at det automatiske låsehåndtag klikker på plads.


34 Anbring klapvognen i lodret position.

## FJERNELSE AF KURVEN

- 35 Fra klapvognens forside skal du åbne de 2 trykknapper og trække stropperne ud af fodrummet.
- 36 Løft kurven af krogen.
- 37 Fra bagsiden skal toppen af kurven løftes af fanen på begge sider af rammen.
- 38 Fjern remmen fra C-klemmen på begge sider af rammen.

## AFTAGNING AF SÆDEPUDE

- 39 Vend klapvognen rundt for at blotlægge sædebunden.
    - A Løsn de 2 fastgørelsesstrimler og træk dem ud af klapvognens ramme.
    - B Løsn fastgørelsesstrimlen og træk dem ud af klapvognrammens sider.
    - C Skru den højre karabinkrog af og træk stroppen ud af sædepuden.
  - 40 Vend ryglænet rundt og tilbage på hjulene. Træk sædets betræk op og ud af knapperne.
  - 41 Fra bunden skubbes sædepuden ud af klapvognrammen på begge sider.
  - 42 Fra toppen skubbes sædepuden ud af rammen på begge sider.
  - 43 Fjern sædepuden.

Følg trinene i omvendt rækkefølge for at fastgøre sædepuden til rammen.
-  **ADVARSEL:** Sørg for, at alle fastgørelseselementer er lukket korrekt, når du sætter sædepuden på igen.

# PLEJE OG VEDLIGEHOLDELSE

For at bevare din klapvogn længst muligt, er det vigtigt at udføre enkel og regelmæssig vedligeholdelse. Fra tid til anden skal du sørge for, at leddene og foldeområder stadig er i god stand. Hvis du hører knirken eller føler spænding, kan du tage din klapvogn til en lokal cykelbutik for ekstra smøring. Alle reparationer skal udføres af en autoriseret forhandler.

## VASK

### Sædets betræk

- Du kan vaske din klapvogns sæde i koldt vand med et mildt rengøringsmiddel.
- Sørg for at fjerne metalrammen og PE-brættene fra sædet før vask.
- Brug ikke opløsningsmidler, kaustiske eller slibende rengøringsmaterialer.
- For at minimere krympning, skal sædet blot fastgøres til rammen igen for at tørre.
- Undlad at trykke på, stryge, tørrense, tørretumble eller vride betrækket.
- Hvis sædebetrækket skal udskiftes, skal du kun bruge dele fra en autoriseret Baby Jogger-forhandler. Disse dele er de eneste, der er garanteret sikkerhedstestet og designet til at passe til dette sæde.

### Plastik-/metaldele

- Tør dem rene ved hjælp af mild sæbe og varmt vand.
- Du må ikke fjerne, demontere eller ændre nogen del af sædets foldemekanisme eller bremser.

### Pleje af hjulet

- Hjulene kan rengøres med en fugtig klud. De skal tørres helt med et blødt håndklæde eller klud.

## OPBEVARING

- Solen kan falme sædets betræk og udtørre dækkene, så hvis du opbevarer din klapvogn indendørs vil det forlænge dens gode udseende.
- Den må IKKE opbevares udendørs.
- Sørg for, at klapvognen er tør inden opbevaring i længere perioder.
- Opbevar altid klapvognen i et tørt miljø.
- Opbevar klapvognen et sikkert sted, når den ikke er i brug (dvs. hvor børn ikke kan lege med den).
- Der må IKKE placeres tunge objekter oven på klapvognen.
- Klapvognen må IKKE opbevares i nærheden af en direkte varmekilde, såsom en radiator eller ild.



## Baby Joggers begrænsede levetidsgaranti

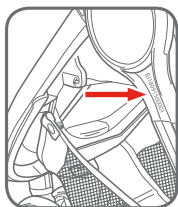
Baby Jogger garanterer, at rammen er fri for produktfejl i produktets levetid. Produktfejl inkluderer, men er ikke begrænset til, brud på svejsninger og skader på rammens røret. Stof eller blødt sidemateriale og alle andre komponenter skal være garanteret i et år fra købsdatoen (med undtagelse af rør og dæk). Der kræves kvittering for at indsende et garantikrav, og garantien dækker kun den oprindelige køber.

### DENNE GARANTI DÆKKER IKKE:

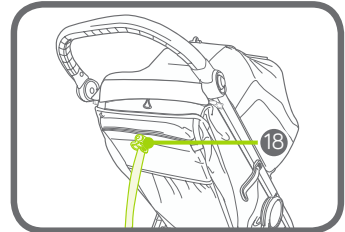
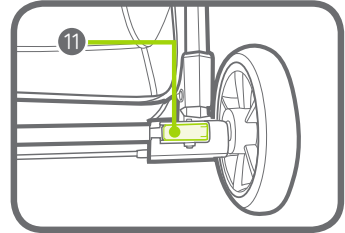
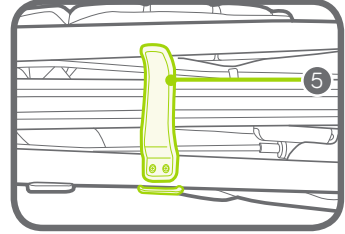
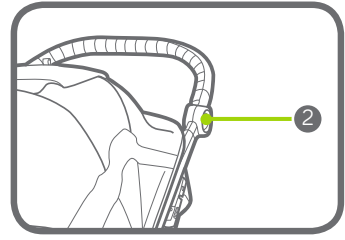
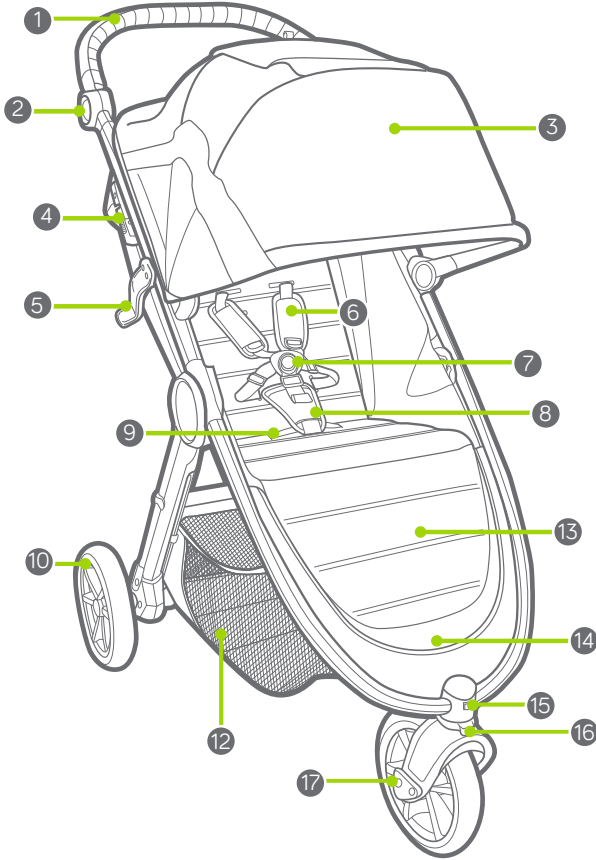
- Normal slid og ælde
- Korrosion eller rust
- Ukorrekt samling eller installation af tredjepartsdele eller tilbehør er ikke forenelige med det oprindelige design
- Utilsigtet eller forsætlig skade, misbrug eller neglichering eller brug på trapper eller rulletrapper.
- Kommerciel brug
- Ukorrekt opbevaring/pleje af enheden

Denne garanti, der specifikt udelukker krav vedr. indirekte, hændelige eller følgeskader. Stiltiende garantier for salgbarhed og egnethed til et bestemt formål gælder ifølge den specifikke garantiperiode for denne modelenhed på købstidspunktet. Nogle lande tillader ikke udelukkelse eller begrænsning af hændelige eller følgeskader, så ovennævnte begrænsninger eller fraskrivelser gælder muligvis ikke for dig. Denne garanti giver dig specifikke juridiske rettigheder, og du kan også have andre rettigheder, som varierer fra land til land. Hvis du vil vide, hvad dine juridiske rettigheder er i dit land, skal du rådføre dig med dit lokale eller statslige kontor for forbrugeranliggender eller dit lands offentlige anklagemyndighed.

Hvis din klapvogn blev købt uden for USA, skal du kontakte distributøren i det land, der er tættest på dig. Deres kontaktoplysninger kan findes på vores hjemmeside på <http://www.babyjogger.com/retailers/#international>. Krav om garanti uden for det land, hvor produktet blev købt kan pådrage forsendelsesomkostninger.



**BEMÆRK:** Når du kontakter Baby Joggers distributør vedrørende din klapvogn, bedes du have din klapvogns serienummer og modelnummer klar. Den kan findes lige under navet på ydersiden af bagbenet.



- |   |                          |    |                            |
|---|--------------------------|----|----------------------------|
| 1 | Kädensija                | 10 | Takapyörä                  |
| 2 | Kädensijan taittopainike | 11 | Takapyörän vapautuspainike |
| 3 | Kuomu                    | 12 | Säilytyskori               |
| 4 | Seisontajarru            | 13 | Jalkatuki                  |
| 5 | Automaattilukon          | 14 | Jalkatila                  |
| 6 | Valjaiden pehmusteet     | 15 | Etupyörän vapautuspainike  |
| 7 | Valjaiden solki          | 16 | Kääntyvä nivel / lukko     |
| 8 | Haarahihnan pehmuste     | 17 | Etupyörä                   |
| 9 | Taittohihna              | 18 | Istuimen kallistushihna    |

# ! VAROITUS

Tärkeää – Lue huolellisesti ja säilytä vastaisuuden varalle. Lapsesi turvallisuus voi vaarantua, jos et noudata näitä ohjeita.

## VAROITUS

- Älä koskaan jätä lasta ilman valvontaa.
- Käytä aina turvavaljaita.
- Tämä tuote ei sovellu työntettäväksi juosten tai rullaluistellen.
- Tarkasta ennen käyttöä, että kaikki lukituslaitteet on lukittu.
- Pidä lapsi poissa tuotteen luota, kun tuote taitetaan kasaan tai laitetaan käyttökuntoon, jotta lapsi ei loukkaannu.
- Loukkaantumisen välttämiseksi irrota lapsen tarjotin tai turvakaari, kun taitat rattaat kiinni tai auki.
- Älä anna lapsen leikkiä tällä tuotteella.

## TURVALLISUUTTA KOSKEVIA LISÄTIETOJA

- Näissä lastenrattaissa on tilaa yhdelle lapselle. Näissä lastenrattaissa EI SAA KOSKAAN olla enempää kuin yksi lapsi.



max 22 kg

- Kaikki rattaiden kädensijaan, selkänöjan taakse tai rattaiden sivuille asetetut kuormat vaikuttavat rattaiden vakauteen.
- Suosittelemme, että vastasyntyneillä käytettäessä istuin on aina kallistetuimmassa asennossa.
- Lukitse jarrut aina ennen kuin asetat lapsen rattaisiin tai otat hänet pois rattaista ja aina kun rattaat eivät ole liikkeessä.
- Varmista, että jarrut ovat kytkeytyneet kunnolla, liikuttamalla rattaita hieman edestakaisin.
- Rattaita ei ole tarkoitettu kuljettamaan lapsia ylös tai alas portaita tai liukuportaita. Takuu ei kata lastenrattaille aiheutuneita vahinkoja.
- Lisävarusteita, joita Baby Jogger ei ole hyväksynyt, ei saa käyttää.
- Varo autoja – älä koskaan oletta, että kuljettaja voi nähdä sinut ja lapsesi.
- Rattaissa olevan lapsen täytyy pysyä istumassa (rattaissa ei saa seisoa).
- Käytä vain Baby Joggerin toimittamia tai hyväksymiä varaosia.

- Istuin on tarkoitettu yhdelle lapselle syntymästä 22 kg:n painoon asti.
- Näiden rattaiden suositeltu kokonaiskuormitus on enintään 28 kg: 22 kg istuimella, 1 kg istuimen takataskussa ja 4,5 kg korissa. Liiallinen paino voi tehdä rattaista epävakaita ja aiheuttaa vaaratilanteen.
- Kun turvaistuinta käytetään rattaiden kanssa, tämä turvaistuin ei korvaa sänkyä. Jos lapsen täytyy nukkua, lapsi tulee asettaa sopivaan koppaan tai sänkyyn.

## RUNKO

- Ota lastenrattaiden runko laatikosta ja aseta pyörät sivuun. Avaa rattaiden lukitus vetämällä automaattilukon vivusta.
- Nosta jalkatila ja istuin ylös rungon alaosasta. Nosta sitten kädensija ylös istuimesta. Lastenrattaat lukittuvat paikalleen, ja kuulet naksauksen.
- Aseta lastenrattaat pystyasentoon.

**VAROITUS:** Varmista ennen käyttöä, että rattaiden lukkomekanismit ovat kaikki kiinni.

## ETUPYÖRÄ

- Asennus
  - Aseta lastenrattaat selälleen niin, että kädensija lepää lattiaa vasten.
  - Kiinnitä etupyörä työntämällä se etupyörän kiinnikkeeseen niin, että kuuluu naksaus. Vedä etupyörästä varovasti varmistaaksesi, että se on kunnolla kiinni.
- Irrottaminen
  - Paina etupyörän vapautuspainiketta ja vedä samalla etupyörä varovasti pois etupyörän kiinnikkeestä.

## KÄÄNTYVÄT PYÖRÄT

- Lukitse etupyörä kiinteään asentoon pitkiä työntömatkoja varten painamalla kääntymisen lukituspainiketta ja siirtämällä kääntymislukko vasemmalle.
  - Kun haluat, että etupyörät kääntyvät, paina kääntymisen lukituspainiketta ja siirrä kääntymislukko oikealle.
- VAROITUS:** Lukitse etupyörä kiinteään asentoon, ennen kuin asetat lapsen rattaisiin tai poistat hänet rattaista. Vaikka rattaiden etupyörä voidaankin lukita, rattaita ei ole tarkoitettu hölkkäämistä tai kuntoilua varten.

## TAKAPYÖRÄT

- Asennus
  - Kohdista takapyörän akseli lastenrattaiden rungossa olevan pyörän kiinnikkeen kanssa ja työnnä akseli pyörän

kiinnikkeeseen niin, että akseli lukittuu paikalleen. Kuulet naksahduksen.

- Vedä takapyörästä varovasti varmistaaksesi, että se on kunnolla kiinni.

## 9 Irrottaminen

- Paina pyörän vapautuspainiketta alaspäin ja vedä samalla takapyörä varovasti pois pyörän kiinnikkeestä.

## JARRU

- Jarrujen lukitseminen: vedä jarruvipu varovasti yläasentoon niin, että se naksahuttaa paikalleen.
  - Jarrujen vapauttaminen: purista harmaita kielekkeitä ja vedä vipua itseesi päin. Paina jarruvipu alas niin, että se on rungon suuntaisesti.
- VAROITUS:** Lukitse jarrut aina ennen kuin asetat lapsen rattaisiin tai otat hänet pois rattaista ja aina kun rattaat eivät ole liikkeessä.

## KUOMU

- Kiinnitä kuomu runkoon työntämällä kuomu jompaankumpaan kiinnikkeeseen. Kun haluat irrottaa kuomun, vedä se pois kiinnittimistä.

**HUOMAA:** Kun käytetään City Go/Graco- tai Britax-turvaistuinta, kuomun täytyy olla yläasennossa. Muita turvaistuinta käytettäessä kuomu täytyy irrottaa.

- Napsauta kaksi nepparia kiinni rattaiden runkoon.
- Kiinnitä istuimen takaosa vetoketjulla kuomun yläosaan. Kiinnitä 2 kiinnitysnauhaa kuomun sivussa.
- Avaa kuomu vetämällä eteenpäin ja sulje työntämällä taaksepäin.
- Kuomussa on kaksi ikkunaa: yläikkuna ja takaikkuna. Niitä käytetään käärimällä verho auki ylöspäin ja kiinnittämällä verho sitten avoimeen asentoon joustonauhan ja napin avulla.

## KÄDENSIIJA

- 17 Kädensijan voi asettaa kuuteen eri asentoon. Paina kädensijan kummallakin puolella olevia kädensijan vapautuspainikkeita ja käännä sitten kädensija uuteen asentoon ylös- tai alaspäin.

## TURVAVALJAIDEN SÄÄTÖ

- 18 Avaa istuimen takana oleva tasku ja etsi sieltä nelikulmainen muovipidike. Käännä pidikettä ja vie se PE-levyssä ja istuinkankaassa olevien rekiä läpi.
- 19 Työnnä pidike istuimen aukkaan, joka on lähinnä lapsen olkapäitä. Vie se istuinkankaan ja PE-levyn läpi. Nykäise hihnasta varmistaaksesi, että pidike on lukittu. Tee sama kummallakin puolella.

**VAROITUS:** Vältä putoamisesta tai ulos luisumisesta aiheutuva vakavan loukkaantumisen vaara. Säädä ja kiinnitä turvalajajat aina oikein.

**VAROITUS:** Käytä aina haarahihnaa yhdessä olkahihnojen ja lannehinnan kanssa.

- 20 Työnnä valjaiden pehmusteita ylös, jotta pääset käsiksi hihnassa olevaan muoviseen ohjaimen.
- 21 Pidä kiinni muovisesta ohjaimesta ja kiristä tai löysää hihnasta vetämällä.

## TURVAVALJAIDEN KÄYTTÖ

- 22 Työnnä kummankin puolen sivuhinnan solki valjaiden solkeen.
- 23 Työnnä yhteen liitetyt valjaiden ja sivuhihnojen soljet haarahinnan solkeen.
- 24 Hinnan vapautetaan painamalla haarahinnan soljessa olevaa painiketta.

## ISTUIMEN KALLISTAMINEN

- 25 Purista istuimen takana olevaa pidikettä ja vedä se alas halutun kallistusasennon kohdalle.
- 26 Vedä istuin alas kummaltakin puolelta pidikkeen kohdalle. Nosta istuin takaisin pystyasentoon

tekemällä samat vaiheet päinvastaisessa järjestyksessä.

**VAROITUS:** Kun säädät lastenrattaiden istuinta, varmista, että lapsen pää, kädet ja jalat ovat poissa istuimen liikkuvista osista ja rattaiden rungosta.

- 27 Voit parantaa ilmanvaihtoa käärimällä istuimen takaläpän auki ja kiinnittämällä sen avoimeen asentoon joustonauhan ja napin avulla.

## JALKATUKI

- 28 Kun haluat käyttää jalkatukea, nosta istuintyydyn etuosa.
- 29 Käännä tukivarsi ulos ja laske istuintyydyn alas. Lukitse tukivarsi.
- 30 Tukijalka lasketaan takaisin alas toistamalla vaiheet päinvastaisesti.

## TAITTAMINEN

- Ota lapsi pois istuimesta.
- Avaa kääntyvien etupyörien lukitus.
- Poista kaikki lisävarusteet ja korissa olevat tavarat.

**VAROITUS:** Loukkaantumisen välttämiseksi irrota lapsen tarjotin tai turvakaari, kun taitat rattaat kiinni tai auki.

- 31 Paina painikkeita rungon kummallakin puolella. Käännä kahva ylös.
- 32 Työnnä etusormi pieneen silmukkaan, vedä ylös "taita vetämällä" -taittokahvasta ja anna rungon painua kasaan.
- 33 Varmista, että automaattilukon vipu naksahuttaa paikalleen.
- 34 Aseta lastenrattaat pystyasentoon.

## KORIN IRROTTAMINEN

- 35 Avaa rattaiden etupuolelta 2 nepparia ja vedä hihnat ulos jalkatilasta.
- 36 Nosta kori pois koukusta.
- 37 Nosta takaapäin korin yläosa irti kielekkeistä rungon kummallakin puolella.

38 Irrota hihna C-puristimesta rungon kummallakin puolella.

#### ISTUINTYYNYN IRROTTAMINEN

39 Käännä rattaat ympäri niin, että näet istuimen pohjan.

- A Avaa 2 kiinnitysnauhaa ja vedä ne pois rattaiden rungosta.
- B Avaa kiinnitysnauha ja vedä se pois rattaiden sivuilta.
- C Kierrä oikeanpuoleinen jousihaka auki ja vedä hihna ulos istuintyynystä.

40 Käännä rattaat takaisin pyörien päälle. Vedä istuinkangas ylös ja irti napeista.

41 Vedä istuintyyny pois rattaiden rungosta kummaltakin puolelta pohjasta alkaen.

42 Vedä istuintyyny pois rungosta kummaltakin puolelta ylhäältä.

43 Irrota istuintyyny.

Kiinnitä tyyny takaisin runkoon suorittamalla vaiheet päinvastaisesti.

**▲ VAROITUS:** Varmista, että kaikki kiinnikkeet ovat asianmukaisesti kiinni, kun kiinnität istuintyynyn uudelleen.

# HOITO JA YLLÄPITO

Yksinkertainen ja säännöllinen huolto on tärkeää lastenrattaiden kestävyyskannalta. Varmista ajoittain, että liitos- ja taittokohdat ovat yhä hyvässä kunnossa. Jos rattaat kitisevät tai tuntuvat jäykiltä, voit viedä ne paikalliseen pyöräliikkeeseen lisävoitelua varten. Kaikki korjaukset täytyy antaa valtuutetun jälleenmyyjän tehtäväksi.

## PESEMINEN

### Istuinkangas

- Voit pestä lastenrattaiden istuimen käsin miedolla pesuaineella kylmässä vedessä.
- Muista irrottaa metallirunko ja PE-levyt istuimesta ennen pesua.
- Puhdistamiseen ei saa käyttää liuottimia, syövyttäviä tai hankaavia puhdistusaineita.
- Kiinnitä istuin takaisin runkoon kuivumaan, jotta istuin ei kutistu.
- Kangasta ei saa prässätä, silittää, pestä kemiallisessa pesussa, kuivata kuivausrummussa tai vääntää kuivaksi.
- Jos istuimen päällinen tarvitsee vaihtaa, käytä vain valtuutetulta Baby Jogger -jälleenmyyjältä saatavia osia. Ne ovat ainoita osia, joiden turvatarkistus ja sopivuus tähän istuimeen voidaan taata.

### Muovi- ja metalliosat

- Pyyhi puhtaaksi käyttämällä mietoa saippuaa ja lämmintä vettä.
- Istuimen taittomekanismien tai jarrujen osia ei saa irrottaa, purkaa tai muuttaa millään tavoin.

### Pyörien huolto

- Pyörät voidaan puhdistaa kostealla rievulla. Ne täytyy kuivata huolellisesti pehmeällä pyyhkeellä tai rievulla.

## SÄILYTYS

- Auringonvalo voi haalistaa istuinkangasta ja kuivattaa renkaiden, joten säilytys sisätiloissa suojaa lastenrattaiden ulkonäköä.
- ÄLÄ säilytä ulkona.
- Varmista, että lastenrattaat ovat kuivat, ennen pitkäaikaista säilytystä.
- Säilytä lastenrattaita aina kuivassa paikassa.
- Säilytä lastenrattaita turvallisessa paikassa, kun niitä ei käytetä, jotta lapset eivät pääse leikkimään niillä.
- ÄLÄ aseta raskaita esineitä lastenrattaiden päälle.
- ÄLÄ säilytä lastenrattaita suoran lämmönlähteen, kuten lämpöpatterin tai tulen, lähellä.

## Baby Joggerin rajoitettu elinikäinen takuu

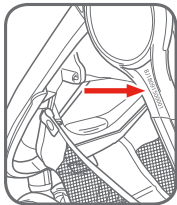
Baby Jogger takaa tuotteen käyttöajan, ettei rungossa ole valmistusvikoja. Valmistusvikoja voivat olla mm. hitsauksien rikkoutuminen ja rungon putkien vioitukset. Tekstiileille tai pehmeille sivumateriaaleille ja kaikille muille osille annetaan yhden vuoden takuu ostopäivästä lukien (putkia ja renkaita lukuun ottamatta). Takuuvaateen tekemiseen tarvitaan ostotosite. Takuu annetaan vain alkuperäiselle ostajalle.

### TÄMÄ TAKUU EI KATA SEURAAVIA:

- normaali kuluminen
- syöpyminen tai ruoste
- väärin tehty kokoaminen tai sellaisten kolmannen osapuolen osien tai lisävarusteiden asentaminen, jotka eivät ole yhteensopivia alkuperäisen rakenteen kanssa
- vahingossa tapahtunut tai tahallinen vaurio, väärinkäyttö tai laiminlyönti tai käyttö portaissa tai liukuportaissa
- ammattikäyttö
- vääränlainen säilytys tai kunnossapito.

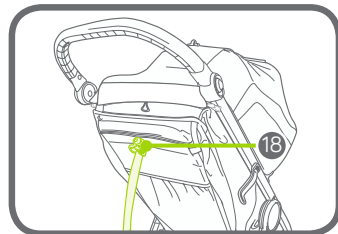
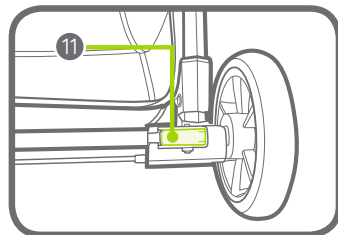
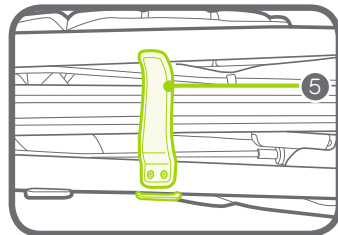
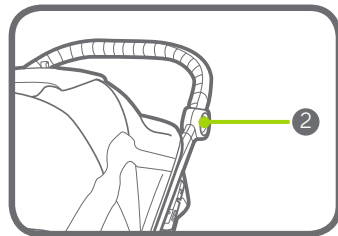
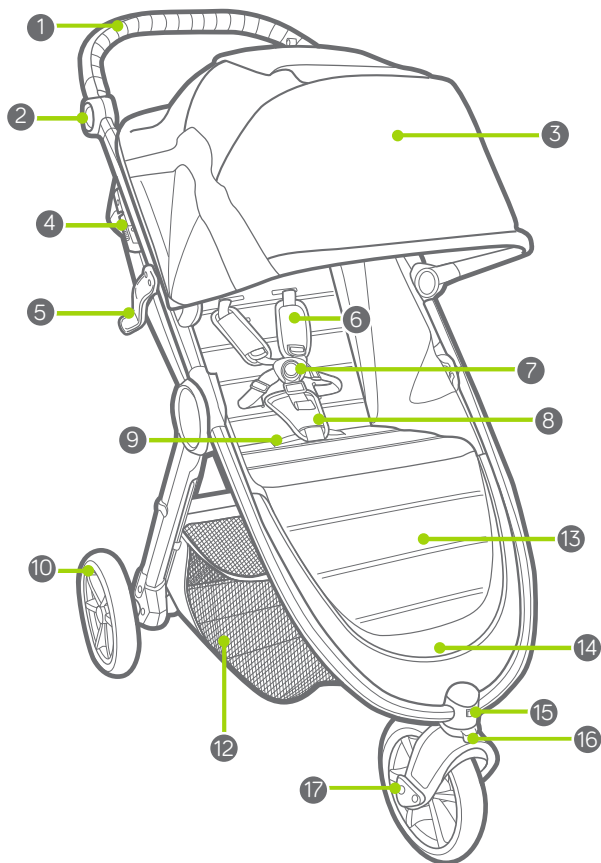
Tämä takuu ei nimenomaan kata välillisistä tai satunnaisista vahingoista johtuvia korvausvaatimuksia. Kauppakelpoisuutta ja tiettyyn käyttötarkoitukseen sopivuutta koskevat hiljaiset takuut noudattavat tämän mallin takuuaikaa sen ostopäivällä. Joissakin maissa ei sallita satunnaisia tai välillisiä vahinkoja koskevia rajoituksia, joten yllä olevat rajoitukset eivät välttämättä päde. Tämä takuu antaa asiakkaalle tietyt lailliset oikeudet, mutta asiakkaalla saattaa olla myös muita oikeuksia, jotka vaihtelevat maittain. Paikallisia laillisia oikeuksia koskevia tietoja saa kuluttajaneuvonnasta tai muulta vastaavalta viranomaiselta.

Jos lastenrattaat on ostettu Yhdysvaltojen ulkopuolella, ota yhteyttä lähimmän maan jälleenmyyjään. Yhteystiedot löytyvät verkkosivustoltamme osoitteesta <http://www.babyjogger.com/retailers/#international>. Jos takuuvaade tehdään tuotteen ostomaan ulkopuolella, siitä voi aiheutua kuljetuskustannuksia.



**HUOMAUTUS:** Kun otat yhteyttä Baby Joggerin jälleenmyyjään lastenrattaitasi koskevista asioista, pidä rattaiden sarjanumero käsillä. Se löytyy takajalan ulkoreunasta hieman navan alapuolelta.





- |   |                                  |    |                               |
|---|----------------------------------|----|-------------------------------|
| 1 | Λαβή                             | 10 | Οπίσθιος τροχός               |
| 2 | Κουμπί διπλώματος της χειρολαβής | 11 | Κουμπί άφεσης οπίσθιου τροχού |
| 3 | Κάλυμμα                          | 12 | Καλάθι αποθήκευσης            |
| 4 | Φρένο παρκαρίσματος              | 13 | Στήριγμα ποδιών               |
| 5 | Αυτόματου κλειδώματος            | 14 | Χώρος ποδιών                  |
| 6 | Επιθέματα ζώνης                  | 15 | Κουμπί άφεσης πρόσθιου τροχού |
| 7 | Πόρπη ζώνης                      | 16 | Στροφέας/Κλειδαριά            |
| 8 | Επίθεμα λωρίδας καβάλου          | 17 | Πρόσθιος τροχός               |
| 9 | Λωρίδα διπλώματος                | 18 | Λωρίδα κλίσης καθίσματος      |

## ΠΡΟΕΙΔΟΠΟΙΗΣΗ

Σημαντικό - διαβάτε προσεκτικά τις οδηγίες και φυλαξτε τες γιατί μπορεί να τις χρειαστείτε στο μέλλον.

Ενδέχεται να επηρεαστεί η ασφάλεια του παιδιού σας εάν δεν ακολουθήσετε αυτές τις οδηγίες.

### ΠΡΟΕΙΔΟΠΟΙΗΣΗ

- Μην αφήνετε ποτέ το παιδί σας χωρίς επιτήρηση.
- Χρησιμοποιείτε πάντα το σύστημα πρόσδεσης.
- Μη χρησιμοποιείτε το προϊόν αυτό όταν κάνετε τζόκινγκ.
- Βεβαιωθείτε ότι έχουν ενεργοποιηθεί όλες οι διατάξεις ασφάλισης πριν από τη χρήση.
- Για την αποφυγή τραυματισμών, απομακρύνετε το παιδί σας κατά το δίπλωμα και το ξεδίπλωμα του προϊόντος αυτού.
- Προς αποφυγή τραυματισμού, αφαιρέστε το Δίσκο Παιδιού ή τη Μπάρα Ασφαλείας όταν διπλώνετε ή ξεδιπλώνετε το καρότσι.
- Μην αφήνετε το παιδί σας να παίζει με το προϊόν αυτό.

### ΣΥΜΠΛΗΡΩΜΑΤΙΚΕΣ ΟΔΗΓΙΕΣ ΑΣΦΑΛΕΙΑΣ

- Το καρότσι αυτό είναι μόνο για έναν επιβάτη. Μην αφήνετε ΠΟΤΕ να μπει πάνω από ένα παιδί την κάθε φορά σε



max 22 kg

αυτό το καρότσι.

- Το κάθισμα είναι κατάλληλο για ένα παιδί από νεογέννητο έως 22 κιλά.
- Το συνολικό συνιστάμενο βάρος για αυτό το καρότσι είναι 28 κιλά. 22 κιλά στο κάθισμα, 1 κιλό στο τσεπάκι της πλάτης καθίσματος, και 4,5 κιλά στο καλάθι. Το υπερβολικό βάρος μπορεί να προκαλέσει επικίνδυνη κατάσταση αστάθειας.

- Για παιδικά καθίσματα αυτοκινήτου που χρησιμοποιούνται σε σχέση με καρότσι, τα καθίσματα αυτά δεν αντικαθιστούν μια κουκέτα ή ένα κρεβάτι. Εάν χρειάζεται να κοιμηθεί το παιδί σας, πρέπει να το βάλετε σε κατάλληλο καροτσάκι βρέφους, κουκέτα ή κρεβάτι.
- Κάθε βάρος που φορτώνεται στη λαβή ή /και στο πίσω μέρος της πλάτης ή και στις πλευρές του οχήματος θα επηρεάσει τη σταθερότητά του.
- Για νεογέννητα μωρά συνιστούμε να χρησιμοποιείτε πάντοτε την πιο ξαπλωμένη θέση.
- Ασφαλίστε τα φρένα προτού φορτώσετε και ξεφορτώσετε το παιδί και όταν δεν μετακινείτε το καρότσι.
- Βεβαιωθείτε ότι το φρένο έχει πιαστεί σωστά μετακινώντας το καρότσι ελαφριά από τη μια μεριά στην άλλη.
- Το καρότσι δεν ενδείκνυται για να μεταφέρετε τα παιδιά επάνω και κάτω σε σκάλες ή κυλιόμενες σκάλες. Η ζημιά που προκύπτει από τέτοια χρήση δεν θα καλύπτεται από την εγγύηση.
- Δεν πρέπει να χρησιμοποιήσετε εξαρτήματα που δεν είναι εγκεκριμένα από την Baby Jogger.
- Προσέχετε τα αυτοκίνητα – μην υποθέτετε ποτέ ότι ένας οδηγός μπορεί να δει εσάς και το παιδί σας.
- Ο επιβάτης θα παραμείνει καθιστός (δεν πρέπει να στέκεται στο καρότσι).
- Να χρησιμοποιείτε μόνο εξαρτήματα που έχουν παρασχεθεί ή εγκριθεί από την Baby Jogger.

- 1 Ξεπακετάρετε το πλαίσιο του παιδικού καροτσιού από το κουτί και βάλτε τους τροχούς στην άκρη.  
Απασφαλίστε το καρότσι τραβώντας το μοχλό ασφάλισης αποθήκευσης.
- 2 Ξεδιπλώστε το καρότσι τραβώντας το χερούλι μακριά από το πλαίσιο. Μετά σηκώστε τη λαβή από το κάθισμα. Το παιδικό καρότσι θα κλειδωθεί στη θέση του και θα ακούσετε ένα κλικ.
- 3 Βάλτε το παιδικό καρότσι στην όρθια θέση.

**▲ ΠΡΟΕΙΔΟΠΟΙΗΣΗ:** Βεβαιωθείτε ότι όλες οι συσκευές κλειδώματος έχουν συνδεθεί πριν από την χρήση.

#### ΠΡΟΣΘΙΟΣ ΤΡΟΧΟΣ

##### 4 Εγκατάσταση

- Ξαπλώστε το καρότσι έτσι ώστε η λαβή να βρίσκεται στο πάτωμα.
- Συνδέστε τον πρόσθιο τροχό γλιστρώντας τον μέσα στο πρόσθιο τμήμα τροχού μέχρις ότου ακούσετε ένα «κλικ». Τραβήξτε απαλά τον πρόσθιο τροχό για να βεβαιωθείτε ότι έχει συνδεθεί σωστά.

##### 5 Αφαίρεση

- Ενώ πατάτε το κουμπί άφεσης του πρόσθιου τροχού, ολισθαίνετε απαλά τον πρόσθιο τροχό έξω από το τμήμα του πρόσθιου τροχού.

#### ΧΑΡΑΚΤΗΡΙΣΤΙΚΟ ΣΤΡΟΦΕΑ

- 6 Πατήστε το κουμπί περιστροφής ασφάλισης προς τα κάτω και γλιστρήστε την ασφάλιση περιστροφέα προς τα αριστερά για να κλειδωθούν οι μπροστινοί τροχοί σε σταθερή θέση για μακρινή βόλτα.
- 7 Πατήστε το κουμπί περιστροφής ασφάλισης προς τα κάτω και γλιστρήστε την ασφάλιση περιστροφέα προς τα δεξιά για να αφήσετε τους μπροστινούς τροχούς να περιστρέφονται.

**▲ ΠΡΟΕΙΔΟΠΟΙΗΣΗ:** Όταν βάζετε και βγάζετε το παιδί από το καρότσι, κλειδώστε τον πρόσθιο τροχό σε σταθερή θέση. Αν και ο πρόσθιος τροχός του καροτσιού σας κλειδώνει, δεν προορίζεται για τζόκινγκ ή σκοπούς εξάσκησης.

#### ΠΙΣΩ ΤΡΟΧΟΙ

##### 8 Εγκατάσταση

- Ευθυγραμμίστε τον άξονα του πίσω τροχού με το τμήμα εγκατάστασης τροχού στο πλαίσιο του καροτσιού και εισάγετέ το μέσα στο τμήμα εγκατάστασης τροχού μέχρις ότου μπει στη θέση του. Θα ακούσετε ένα κλικ.
- Τραβήξτε απαλά τον πίσω τροχό για να βεβαιωθείτε ότι έχει συνδεθεί σωστά.

##### 9 Αφαίρεση

- Ενώ πιέζετε το κουμπί άφεσης τροχού προς τα κάτω, γλιστρήστε απαλά τον πίσω τροχό έξω από το τμήμα εγκατάστασης τροχού.

#### ΦΡΕΝΟ

- 10 Για να κλειδώσετε τα φρένα: τραβήξτε απαλά το μοχλό φρένου στην όρθια θέση μέχρις ότου ασφαλιστεί στη θέση του με ένα «κλικ».
- 11 Για να βγάλετε το φρένο: πιάστε τις γκριζες γλωττίδες και τραβήξτε το μοχλό προς το μέρος σας. Σπρώξτε το μοχλό φρένου προς τα κάτω μέχρις ότου είναι παράλληλος με το πλαίσιο.

**▲ ΠΡΟΕΙΔΟΠΟΙΗΣΗ:** Κλειδώστε τα φρένα προτού βάλτε ή βγάλετε το παιδί σας και όποτε δεν κινείται το καρότσι.

#### ΚΑΛΥΜΜΑ

- 12 Συνδέστε το κάλυμμα στο πλαίσιο γλιστρώντας το κάλυμμα σε ένα από τα δύο άγκιστρα εγκατάστασης. Για να το βγάλετε, γλιστρήστε το κάλυμμα από τα στηρίγματα.

**ΣΗΜΕΙΩΣΗ:** Όταν χρησιμοποιείτε ένα κάθισμα αυτοκινήτου City Go/Graco ή Britax, το κάλυμμα πρέπει να βρίσκεται στην άνω θέση. Για όλα τα άλλα παιδικά καθίσματα, το κάλυμμα πρέπει να αφαιρεθεί.

- 13 Κουμπώστε τις δύο σούστες στο πλαίσιο του καροτσιού.
- 14 Κλείστε το φερμουάρ στο πίσω μέρος του καθίσματος με το κάλυμμα.  
Συνδέστε τις 2 λωρίδες σύνδεσης στην πλευρά του καλύμματος.
- 15 Τραβήξτε προς τα εμπρός για να ανοίξετε το κάλυμμα και σπρώξτε προς τα πίσω για να κλείσετε το κάλυμμα.
- 16 Το κάλυμμα έχει δύο παραθυράκια, ένα στο επάνω μέρος και ένα από πίσω. Για να τα χρησιμοποιήσετε, διπλώστε το κάλυμμα προς το επάνω μέρος και ασφαλίστε το με το ελαστικό και το κουμπί.

### **ΛΑΒΗ**

- 17 Για να αλλάξετε τη λαβή σε μία από τις 6 θέσεις ρύθμισης, πιέστε τα κουμπιά άφεσης λαβής και στις δύο πλευρές και περιστρέψτε τα προς τα επάνω ή προς τα κάτω στη νέα θέση.

### **ΡΥΘΜΙΣΗ ΤΗΣ ΖΩΝΗΣ**

- 18 Από το πίσω μέρος του καθίσματος, ξεκουμπώστε και ανοίξτε το τσεπάκι για να εντοπίσετε το πλαστικό τετράγωνο στοπ. Περιστρέψτε το στοπ και περάστε το μέσα από τα ανοίγματα στον πίνακα PE και στο ύφασμα του καθίσματος.
- 19 Επανεισάγετε το στοπ στο άνοιγμα του καθίσματος που βρίσκεται πλησιέστερα στον ώμο του παιδιού. Περάστε το πίσω μέσα από το ύφασμα του καθίσματος και τον πίνακα PE. Τραβήξτε τη λωρίδα για

να βεβαιωθείτε ότι έχει κλειδωθεί το στοπ. Το επαναλαμβάνετε και στις δύο πλευρές.

**⚠️ ΠΡΟΕΙΔΟΠΟΙΗΣΗ:** Αποφύγετε σοβαρό τραυματισμό από πέσιμο ή γλίστρημα προς τα έξω. Να ρυθμίζετε πάντοτε σωστά και να δένετε τη ζώνη.

**⚠️ ΠΡΟΕΙΔΟΠΟΙΗΣΗ:** Να χρησιμοποιείτε πάντοτε τη ζώνη του καβάλου σε συνδυασμό με τις λωρίδες του ώμου και τη ζώνη της μέσης.

- 20 Γλιστρήστε τα επιθέματα της ζώνης προς τα επάνω για να έχετε πρόσβαση στον πλαστικό οδηγό στη λωρίδα.

- 21 Κρατήστε τον πλαστικό οδηγό και τραβήξτε τη λωρίδα για να τη σφίξετε ή για να τη χαλαρώσετε.

### **ΧΡΗΣΗ ΤΗΣ ΖΩΝΗΣ ΑΣΦΑΛΕΙΑΣ**

- 22 Εισάγετε την πόρπη της πλευρικής λωρίδας στην πόρπη της ζώνης και στις δύο πλευρές.
- 23 Εισάγετε τη συνδεόμενη ζώνη και τις πόρπες της πλευρικής λωρίδας στις πλευρές της πόρπης καβάλου.
- 24 Πιέστε το κουμπί στην πόρπη καβάλου για να αφαιρεθεί.

### **ΑΝΑΚΛΙΣΗ ΤΟΥ ΚΑΘΙΣΜΑΤΟΣ**

- 25 Πιάστε το σφινγκτήρα πίσω από το κάθισμα, και γλιστρήστε τον προς τα κάτω μέχρι τη θέση που θέλετε.
- 26 Τραβήξτε το κάθισμα προς τα κάτω και στις δύο πλευρές για να ταιριάζει στη θέση του σφινγκτήρα. Αντιστρέψτε αυτά τα βήματα για να το επιστρέψετε στην θέση προς τα επάνω.

**⚠️ ΠΡΟΕΙΔΟΠΟΙΗΣΗ:** Όταν κάνετε ρυθμίσεις στο κάθισμα του καροτσιού, βεβαιωθείτε ότι το κεφάλι, τα χέρια και τα πόδια του παιδιού σας δεν μπλέκονται στα εξαρτήματα του καθίσματος που κινούνται και στο πλαίσιο του καροτσιού.

- 27 Για περισσότερο αερισμό, διπλώστε την επικάλυψη του καθίσματος και ασφαλίστε την με το ελαστικό και το κουμπί.

## ΣΤΗΡΙΓΜΑ ΠΟΔΙΩΝ

- 28 Για να χρησιμοποιήσετε το στήριγμα ποδιών, σηκώστε το μπροστινό μέρος του επιθέματος καθίσματος.
- 29 Περιστρέψτε το βραχίονα στήριξης προς τα έξω και χαμηλώστε το επίθεμα το καθίσματος. Ασφαλίστε το βραχίονα στήριξης.
- 30 Για να χαμηλώσετε το στήριγμα ποδιών, αντιστρέψτε τα ανωτέρω βήματα.

## ΔΙΠΛΩΜΑ

- Βγάλτε το παιδί σας από το κάθισμα.
- Ξεμπλοκάρτε τις ασφαλίσεις περιστροφής των μπροστικών τροχών.
- Βγάλτε όλα τα προσαρτήματα και όλα τα αντικείμενα από το καλάθι.

**▲ ΠΡΟΕΙΔΟΠΟΙΗΣΗ:** Προς αποφυγή τραυματισμού, αφαιρέστε το Δίσκο Παιδιού ή τη Μπάρα Ασφαλείας όταν διπλώνετε ή ξεδιπλώνετε το καρότσι.

- 31 Πιέστε τα κουμπιά και στις δύο πλευρές του πλαισίου. Περιστρέψτε τη λαβή προς τα επάνω.
- 32 Βάλτε το δείκτη του χεριού σας στη μικρή θηλιά, τραβήξτε προς τα επάνω στη χειρολαβή διπλώματος «Ελξη για δίπλωμα», και αφήστε το πλαίσιο να πέσει κάτω.
- 33 Σιγουρευτείτε ότι ο μοχλός αυτόματου κλειδώματος έχει μπει στη θέση του.
- 34 Τοποθετήστε το καρότσι στην όρθια θέση.

## ΑΦΑΙΡΕΣΗ ΚΑΛΑΘΙΟΥ

- 35 Από το μπροστινό μέρος του καροτσιού, ξεκουμπώστε τις 2 σούστες και τραβήξτε τις λωρίδες έξω από το χώρο των ποδιών.
- 36 Βγάλτε το καλάθι από το άγκιστρο.
- 37 Από το πίσω μέρος, σηκώστε το επάνω μέρος του καλαθιού από τη γλωττίδα και στις δύο πλευρές του πλαισίου.

- 38 Βγάλτε τη λωρίδα από το σφιγκτήρα C και στις δύο πλευρές του πλαισίου.

## ΑΦΑΙΡΕΣΗ ΤΟΥ ΕΠΙΘΕΜΑΤΟΣ ΚΑΘΙΣΜΑΤΟΣ

- 39 Γυρίστε το καρότσι ανάποδα για να εκτεθεί το κάτω μέρος του καθίσματος.
- A Ξεκουμπώστε τις 2 λωρίδες σύνδεσης και τραβήξτε τις έξω από το πλαίσιο του καροτσιού.
- B Ξεκουμπώστε τη λωρίδα σύνδεσης και τραβήξτε την έξω και από τις δύο πλευρές του πλαισίου του καροτσιού.
- C Ξεβιδώστε τον δεξιό γάντζο στερέωσης και τραβήξτε τη λωρίδα έξω από το κάθισμα.
- 40 Αναποδογυρίστε το κάθισμα επάνω στους τροχούς. Τραβήξτε το ύφασμα προς τα επάνω και έξω από τα κουμπιά.
- 41 Ξεκινώντας από το κάτω μέρος, γλιστρήστε το επίθεμα του καθίσματος έξω από το πλαίσιο του καροτσιού και στις δύο πλευρές.
- 42 Από το επάνω μέρος, γλιστρήστε το επίθεμα του καθίσματος από το πλαίσιο και στις πλευρές.
- 43 Βγάλτε το επίθεμα του καθίσματος. Αντιστρέψτε τα βήματα για να επανασυνδέσετε το επίθεμα του καθίσματος στο πλαίσιο.
- ▲ ΠΡΟΕΙΔΟΠΟΙΗΣΗ:** Βεβαιωθείτε ότι έχουν ασφαλιστεί σωστά όλες οι συνδέσεις όταν επανατοποθετείτε το επίθεμα καθίσματος.

# ΦΡΟΝΤΙΔΑ ΚΑΙ ΣΥΝΤΗΡΗΣΗ

Για να διαρκέσει το παιδικό καρότσι που έχετε για πολλά χρόνια, είναι σημαντικό να εκτελέσετε απλή, τακτική συντήρηση. Ανά καιρούς, σιγουρευτείτε ότι οι αρθρώσεις και οι περιοχές διπλώματος βρίσκονται σε καλή κατάσταση. Εάν ακούσετε τρίξιμο ή αισθανθείτε τάση, μπορείτε να πάτε το παιδικό καρότσι σας σε ένα τοπικό κατάστημα ποδηλάτων για επιπρόσθετη λίπανση. Όλες οι επισκευές πρέπει να εκτελούνται από εξουσιοδοτημένο αντιπρόσωπο.

## ΠΛΥΣΙΜΟ

### Ύφασμα καθίσματος

- Μπορείτε να πλύνετε το κάθισμα του καροτσιού σας σε κρύο νερό με ήπιο απορρυπαντικό.
- Σιγουρευτείτε ότι έχετε αφαιρέσει το μεταλλικό πλαίσιο και τους πίνακες PE από το κάθισμα προτού το πλύνετε.
- Μη χρησιμοποιείτε διαλυτικά, καυστικά ή διαβρωτικά υλικά καθαρισμού.
- Για να μειώσετε το ζάρωμα, επανασυνδέστε απλά το κάθισμα στο πλαίσιο για να στεγνώσει.
- Μην το πιέζετε, το σιδερώνετε, το καθαρίζετε στο καθαριστήριο, στο στεγνωτήριο ούτε να στραγγίζετε το ύφασμα.
- Εάν τα καλύμματα του καθίσματος πρέπει να αντικατασταθούν, χρησιμοποιήστε μόνο εξαρτήματα από Εξουσιοδοτημένο Αντιπρόσωπο της Baby Jogger. Είναι τα μόνα που θα έχουν εξεταστεί ασφαλώς και σχεδιαστεί εγγυημένα για να ταιριάζουν με αυτό το κάθισμα.

### Πλαστικά/μεταλλικά εξαρτήματα

- Σκουπίστε τα για να καθαρίσουν με ήπιο σαπούνι και ζεστό νερό.
- Δεν πρέπει να αφαιρέσετε, να αποσυναρμολογήσετε ούτε να τροποποιήσετε κανένα εξάρτημα του μηχανισμού διπλώματος του καθίσματος ή τα φρένα.

### Φροντίδα τροχών

- Οι τροχοί μπορεί να πλυθούν χρησιμοποιώντας ένα υγρό πανί. Πρέπει να στεγνωθούν πλήρως με μια μαλακιά πετσέτα ή πανί.

### ΑΠΟΘΗΚΕΥΣΗ

- Το ηλιακό φως ενδέχεται να ξεθωριάσει το ύφασμα καθίσματος και να αποξηράνει τις ρόδες, και ως εκ τούτου η αποθήκευση του καροτσιού σε εσωτερικό χώρο θα το κρατήσει σε καλή κατάσταση για μεγαλύτερο χρονικό διάστημα.
- ΜΗΝ το αποθηκεύετε σε εξωτερικό χώρο.
- Βεβαιωθείτε ότι το παιδικό καρότσι είναι στεγνό προτού το αποθηκεύετε για μακροχρόνιες περιόδους.
- Να αποθηκεύετε πάντοτε το παιδικό καρότσι σε στεγνό περιβάλλον.
- Αποθηκεύστε το παιδικό καρότσι σε ασφαλές μέρος όταν δεν το χρησιμοποιείτε (π.χ., όπου τα παιδιά δεν μπορούν να παίξουν με αυτό.)
- ΜΗΝ τοποθετείτε βάρια αντικείμενα επάνω στο παιδικό καρότσι.
- ΜΗΝ αποθηκεύετε το παιδικό καρότσι κοντά σε πηγή θερμότητας όπως καλοριφέρ ή φωτιά.

## Περιορισμένη Εγγύηση από την Baby Jogger

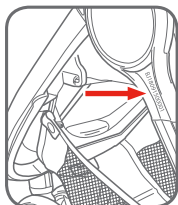
Η Baby Jogger εγγυάται ότι το πλαίσιο δεν φέρει ελαττώματα κατασκευής για όλη τη διάρκεια ζωής του προϊόντος. Τα ελαττώματα κατασκευής περιλαμβάνουν, μεταξύ άλλων, το σπάσιμο των συγκολλήσεων και τη ζημιά στο σωλήνα πλαισίου. Τα υφαντουργικά προϊόντα ή τα μαλακά υλικά πλευρών και όλα τα άλλα εξαρτήματα θα φέρουν εγγύηση για ένα έτος από την ημερομηνία αγοράς (εκτός από σωλήνες και ρόδες). Απαιτείται η απόδειξη αγοράς για να υποβάλλετε αποζημίωση εγγύησης και η εγγύηση ισχύει μόνο για τον αρχικό αγοραστή.

### Η ΕΓΓΥΗΣΗ ΑΥΤΗ ΔΕΝ ΚΑΛΥΠΤΕΙ:

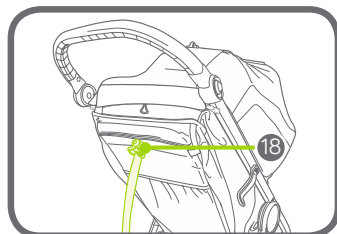
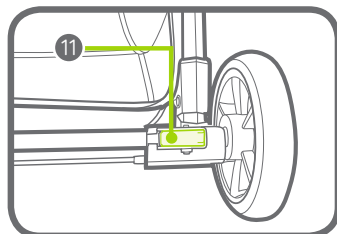
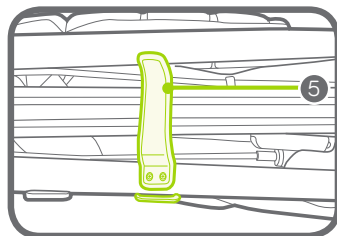
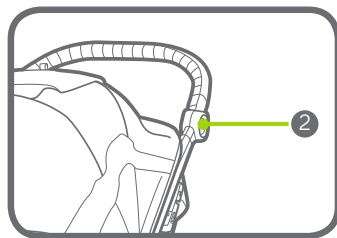
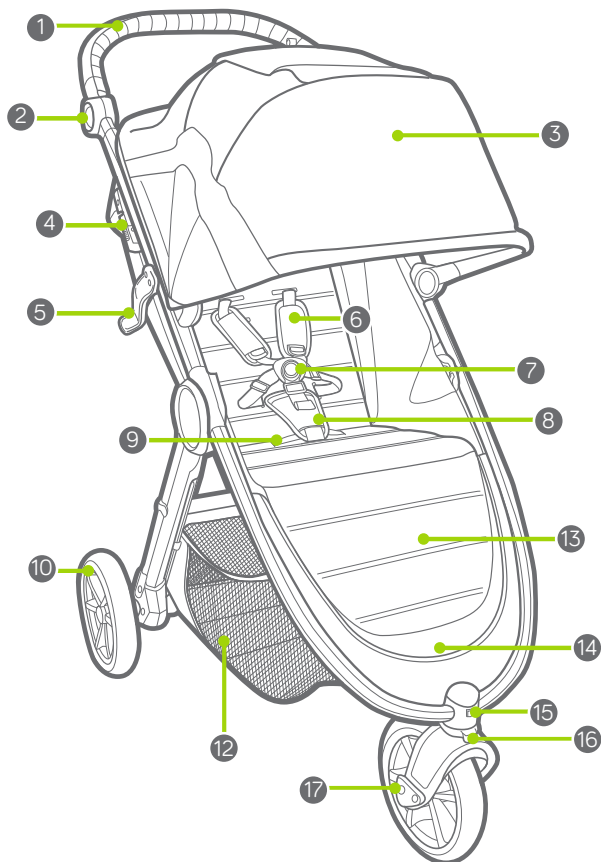
- Φυσική φθορά
- Διάβρωση ή σκούριασμα
- Λανθασμένη συναρμολόγηση, ή την εγκατάσταση εξαρτημάτων τρίτου μέρους ή εξαρτήματα που δεν είναι συμβατά με το αρχικό σχέδιο
- Τυχαία ή εκούσια ζημιά, κακή χρήση ή αμέλεια, ή χρήση σε σκάλες και κυλιόμενες σκάλες.
- Εμπορική χρήση
- Ακατάλληλη αποθήκευση/φροντίδα του καροτσιού

Αυτή η εγγύηση αποκλείει αποκλειστικά αποζημιώσεις για έμμεσες, τυχαίες ή επακόλουθες ζημιές. Οι υπονοούμενες εγγυήσεις εμπορικότητας και καταλληλότητας για ένα συγκεκριμένο σκοπό υπάρχει σύμφωνα με τη συγκεκριμένη περίοδο εγγύησης για αυτό το μοντέλο καροτσιού κατά την ώρα της αγοράς. Ορισμένες πολιτείες δεν επιτρέπουν τον αποκλεισμό ή τον περιορισμό τυχαίων ή επακόλουθων ζημιών, και έτσι οι ανωτέρω περιορισμοί ή αποκλεισμοί ενδέχεται να μην ισχύουν για εσάς. Η εγγύηση αυτή σας δίνει αποκλειστικά νομικά δικαιώματα, και ίσως να έχετε και άλλα δικαιώματα που διαφέρουν από πολιτεία σε πολιτεία. Για να μάθετε τα νομικά σας δικαιώματα στην πολιτεία που ζείτε, συμβουλευθείτε το τοπικό σας γραφείο υποθέσεων καταναλωτών της πολιτείας σας ή τον Γενικό Νομικό Σύμβουλο της πολιτείας.

Εάν αγοράσατε το καρότσι σας εκτός των Ηνωμένων Πολιτειών, παρακαλούμε να επικοινωνήσετε με το διανομέα στη χώρα που βρίσκεται πλησίον σας. Οι πληροφορίες επικοινωνίας τους βρίσκονται στον ιστότοπο <http://www.babyjogger.com/retailers/#international>. Οι αποζημιώσεις για εγγύηση εκτός της χώρας στην οποία αγοράστηκε το προϊόν ενδέχεται να φέρουν μεταφορικά έξοδα.



**ΣΗΜΕΙΩΣΗ:** Όταν επικοινωνείτε με τον διανομέα της Baby Jogger σχετικά με το καρότσι σας, παρακαλούμε να έχετε έτοιμο τον σειριακό αριθμό του καροτσιού σας. Μπορείτε να τον βρείτε μόλις κάτω από το κέντρο στην εξωτερική πλευρά του πίσω ποδιού.



- |   |                                   |    |  |
|---|-----------------------------------|----|--|
| 1 | Ručka                             | 10 | Stražnji kotač                         |
| 2 | Gumb na ručki za sklapanje kolica | 11 | Gumb za otpuštanje stražnjih kotača    |
| 3 | Krović                            | 12 | Košara za pohranu                      |
| 4 | Parkirna kočnica                  | 13 | Oslonac za noge                        |
| 5 | Automatsku blokadu                | 14 | Naslon za noge                         |
| 6 | Jastučići pojasa                  | 15 | Gumb za otpuštanje prednjih kotača     |
| 7 | Kopča pojasa                      | 16 | Okretanje/blokada                      |
| 8 | Jastučić za remen za prepone      | 17 | Prednji kotač                          |
| 9 | Remen za sklapanje                | 72 | 18 Remen za naginjanje naslona sjedala |



## UPOZORENJE

Važno – sačuvati za slučaj potrebe.  
Sigurnost vašeg djeteta može biti ugrožena ako ne slijedite ove upute.

### UPOZORENJE

- Nikada ne ostavljajte dijete bez nadzora.
- Uvijek upotrebljavajte sigurnosne pojase.
- Ovaj proizvod nije namijenjen trčanju ili rolanju Upute za uporabu.
- Prije uporabe kolica, provjerite jesu li svi dijelovi za učvršćivanje ispravni.
- Kako biste izbjegli ozljede, pobrinite se da dijete bude na sigurnoj udaljenosti kada sklapate ili rasklapate ovaj proizvod.
- Da biste spriječili ozljedu, uklonite pladanj za dijete ili prečku kada sklapate ili rasklapate kolica.
- Ne dopustite djetetu da se igra s ovim proizvodom.

### DRUGE SIGURNOSNE INFORMACIJE

- Ova kolica namijenjena su jednom djetetu. NIKAD ne dopustite da u ovim kolicima bude više od jednog djeteta istovremeno.



**max 22 kg**

- Sjedalo je prikladno za jedno dijete od rođenja do 22 kg.
- Ukupno opterećenje koje se preporučuje za ova kolica je 28 kg. 22 kg u sjedalu, 1 kg u stražnjem džepu sjedala i 4,5 kg u košari. Prekomjerna težina može dovesti do opasnog i nestabilnog stanja.

- Za autosjedalice koje se upotrebljavaju zajedno s postoljem, ova autosjedalica ne zamjenjuje kolijevku ili krevet. Ako dijete treba spavati, položite ga u odgovarajuću nosiljku, kolijevku ili krevet.
- Bilo kakav teret na ručki i/ili stražnjem dijelu naslona i/ili na stranama kolica utjecat će na njihovu stabilnost.
- Za novorođenčad preporučujemo da uvijek upotrebljavate potpuno nagnuti položaj sjedala.
- Prije nego stavite ili uzmete dijete iz kolica i kada god kolica stoje u mjestu, blokirajte kočnice.
- Provjerite je li kočnica ispravno aktivirana pomičući kolica lagano naprijed-nazad.
- Kolica nisu namijenjena za prijevoz djece uz ili niz stepenice ili pomične mehaničke stepenice. Jamstvo neće pokriti štetu nastalu na kolicima.
- Pribor koji nije odobrila tvrtka Baby Jogger ne smije se upotrebljavati.
- Pazite na automobile – nikad se nemojte oslanjati na pretpostavku da vozač vidi vas i vaše dijete.
- Dijete u kolicima mora sjediti (nije dopušteno stajanje u kolicima).
- Upotrebljavajte samo zamjenske dijelove koje je isporučio ili odobrio Baby Jogger.

## OKVIR

- 1 Izvadite okvir kolica iz kutije i stavite kotače na stranu. Otključajte kolica povlačenjem ručice za zatvaranje kolica.
- 2 Rasklopite kolica povlačenjem ručke dalje od okvira. atim podignite ručku dalje od sjedala. Kolica će se uglaviti u mjestu i čut ćete "škljoc".
- 3 Postavite kolica u uspravan položaj.

**⚠ UPOZORENJE:** Prije upotrebe provjerite jesu li svi uređaji za blokadu postavljeni.

### PREDNJI KOTAČ

- 4 Postavljanje
  - Položite kolica na stražnju stranu tako da ručka leži na podu.
  - Pričvrstite prednji kotač umetanjem u okvir prednjeg kotača sve dok ne škljocne. Nježno povucite prednji kotač kako biste provjerili je li pravilno pričvršćen.
- 5 Skidanje
  - Dok pritišćete gumb za otpuštanje prednjeg kotača, nježno izvucite prednji kotač iz okvira prednjeg kotača.

### ZNAČAJKA OKRETANJA

- 6 Pritisnite gumb za blokadu okretanja i pomaknite blokadu okretanja ulijevo kako biste zaključali prednje kotače u stalni položaj za vožnju kolicima na duže udaljenosti.
- 7 Pritisnite gumb za blokadu okretanja i pomaknite blokadu okretanja udesno kako bi se prednji kotači mogli okretati.

**⚠ UPOZORENJE:** Dok stavljate ili uzimate dijete iz kolica, blokirajte prednje kotače u stalni položaj. Iako se prednji kotači kolica blokiraju, kolica nisu namijenjena za džoging ili vježbanje.

### STRAŽNJI KOTAČI

- 8 Postavljanje
  - Poravnajte osovinu stražnjeg kotača s okvirom kotača na okviru kolica i umetnite ga u okvir kotača

dok se ne uglavi u mjestu. Začut ćete "škljoc".

- Nježnim povlačenjem stražnjeg kotača provjerite je li pravilno pričvršćen.

### 9 Skidanje

- Dok pritišćete gumb za otpuštanje kotača, pažljivo izvucite stražnji kotač iz okvira kotača.

### KOČNICA

- 10 Blokiranje kočnica: nježno povucite ručicu kočnice u uspravni položaj dok ne škljocne u mjesto.
- 11 Otpuštanje kočnica: stegnite sive jezičke i povucite ručicu prema sebi. Pritisnite ručicu kočnice prema dolje sve dok ne bude paralelna s okvirom kolica.

**⚠ UPOZORENJE:** Prije nego stavite ili uzmete dijete iz kolica i kad god kolica stoje u mjestu, blokirajte kočnice.

### KROVIĆ

- 12 Pričvrstite krovic na okvir povlačenjem krovica na jedan od držača okvira kolica. Kako biste ga skinuli, povucite krovic s držača.

**NAPOMENA:** Kada upotrebljavate autosjedalicu City Go/Graco ili Britax, krovic mora biti u gornjem položaju. Za sve ostale autosjedalice krovic treba skinuti.

- 13 Zakopčajte dvije kopče na okvir kolica.
- 14 Spojite patentni zatvarač na stražnjoj strani sjedala s vrhom krovica. Pričvrstite 2 čičak trake na bočnoj strani krovica.
- 15 Povucite prema naprijed kako biste otvorili krovic ili gurnite prema natrag kako biste ga zatvorili.
- 16 Na krovicu postoje dva prozorčića, jedan na vrhu i jedan straga. Kako biste ih upotrebljavali, podignite tkaninu prema gore i pričvrstite gumicom i gumbom.

## RUČKA

- 17 Da biste promijenili položaj ručke u jedan od 6 položaja, pritisnite gumba za otpuštanje ručke s obje strane i okrećite gore ili dolje da biste namjestili u novi položaj.

## PRILAGODBA SIGURNOSNOG POJASA

- 18 Sa stražnje strane sjedala, otvorite džep kako biste našli plastični četvrtasti zaustavljač. Okrenite zaustavljač i provucite kroz otvore u PE ploči i tkanini sjedala.
- 19 Ponovno umetnite zaustavljač u otvor sjedala koji je najbliži djetetovim ramenima. Provucite prema natrag kroz tkaninu sjedala i PE ploču. Povucite pojas kako biste se uvjerali da je zaustavljač zaključan. Ponovite postupak na obje strane.

**⚠ UPOZORENJE:** Izbjegavajte ozbiljne ozljede od pada ili iskliznuća. Uvijek pravilno namjestite i zavezite sigurnosni pojas.

**⚠ UPOZORENJE:** Uvijek upotrebljavajte pojas za prepone zajedno s ramenim pojasevima te s pojasom oko struka.

- 20 Podignite jastučice pojasa kako biste imali pristup plastičnoj vodilici na traci.
- 21 Za zatezanje ili otpuštanje držite plastičnu vodilicu i povucite traku.

## UPOTREBA SIGURNOSNOG POJASA

- 22 Umetnite bočnu kopču trake u kopču pojasa s obje strane.
- 23 Umetnite povezane kopče pojasa i bočnih traka u krajeve kopče za prepone.
- 24 Za otpuštanje pritisnite gumb na kopči za prepone.

## SPUŠTANJE NASLONA SJEDALA

- 25 Stegnite stezaljku iza sjedala i povlačite prema dolje do željenog nagnutog položaja.

- 26 Spustite sjedalo na objema stranama kako bi se poravnalo s položajem stezaljke. Za vraćanje sjedala u uspravni položaj, ponovite navedene korake obrnutim redoslijedom.

**⚠ UPOZORENJE:** Dok prilagođavate sjedalo kolica, pazite da glava, ruke i noge djeteta ne dodiruju pokretne dijelove sjedala i okvir kolica.

- 27 Za dodatno prozračivanje smotajte prema gore preklop na poledini sjedala i pričvrstite gumicom i gumbom.

## OSLONAC ZA NOGE

- 28 Da biste upotrebljavali oslonac za noge, podignite prednju stranu podloge sjedala.
- 29 Okrenite ručicu za potporu prema van i spustite podlogu sjedala. Zaključajte ručicu za potporu.
- 30 Za spuštanje oslonca za noge ponovite korake obrnutim redoslijedom.

## SKLAPANJE

- Izvadite dijete iz sjedala.
- Otpustite blokade okretanja prednjih kotača.
- Izvadite sve uređaje za pričvršćivanje i sve stvari iz košare.

**⚠ UPOZORENJE:** Da biste spriječili ozljedu, uklonite pladanj za dijete ili prečku kada sklapate ili rasklapate kolica.


- 31 Pritisnite gumba na obje strane okvira. Okrenite ručku prema gore.
- 32 Kažiprst stavite u malu petlju, povucite ručku za sklapanje i pustite da se okvir preklopi.
- 33 Uvjerite se da je ručka za automatsku blokadu uglavljena u mjestu.
- 34 Postavite kolica u uspravan položaj.

## UKLANJANJE KOŠARE

- 35 Na prednjoj strani kolica otkopčajte dvije kopče i izvucite trake iz dijela za noge.
- 36 Košaru podignite s kuke.
- 37 Sa stražnje strane, podignite i skinite vrh košare s jezička na obje strane okvira.
- 38 Skinite traku sa „C” stezaljke na obje strane okvira.

## UKLANJANJE PODLOGE SJEDALA

- 39 Okrenite kolica naopako kako bi se vidjelo dno sjedala.
  - A Otpustite dvije čičak trake i izvucite ih iz okvira kolica.
  - B Otpustite čičak traku i izvucite je s bočne strane okvira kolica.
  - C Odvrnite desni karabiner i izvucite traku iz podloge sjedalice.
- 40 Okrenite kolica natrag na kotače. Povucite tkaninu sjedala prema gore i otkopčajte gumbе.
- 41 Počevši odozdo, izvucite podlogu sjedala iz okvira kolica na obje strane.
- 42 S gornje strane izvucite podlogu sjedala iz okvira kolica na obje strane.
- 43 Uklonite podlogu sjedala. Kako biste ponovno postavili podlogu sjedala na okvir, ponovite postupak obrnutim redoslijedom.

 **UPOZORENJE:** Pri ponovnom postavljanju podloge sjedala vodite računa o tome da sve čičak trake budu ispravno zatvorene.

# BRIGA I ODRŽAVANJE

Kako biste održali dugi vijek kolica, važno je da obavljate jednostavno, redovno održavanje. Povremeno provjeravajte jesu li zglobovi i područja za sklapanje i dalje u dobrom stanju. Ako čujete škripanje ili osjetite otpor, možete odnijeti kolica u obližnju trgovinu kolica radi dodatnog podmazivanja. Samo ovlaštenu prodavača smije obavljati sve popravke.

## PRANJE

### Tkanina sjedala

- Sjedalo kolica možete ručno prati u hladnoj vodi s blagim deterdžentom.
- Vodite računa o tome da uklonite metalni okvir i PE ploče sa sjedala prije pranja.
- Ne upotrebljavajte otapala, kaustična ili abrazivna sredstva za čišćenje.
- Kako biste smanjili skupljanje, jednostavno ponovno pričvrstite sjedalo na okvir radi sušenja.
- Nemojte tkaninu glačati, kemijski čistiti, sušiti u sušilici niti cijediti.
- Ako se navlake sjedala trebaju zamijeniti, upotrijebite samo dijelove prodavača koga je ovlastila tvrtka Baby Jogger. Oni su jedini koji mogu jamčiti da je navlaka testirana za sigurnost i osmišljena da odgovara ovom sjedalu.

### Plastični/metalni dijelovi

- Očistite blagim sapunom i toplom vodom.
- Ne smijete ukloniti, rastaviti ili izmijeniti bilo koji dio mehanizma za sklapanje sjedala ili kočnice.

### Čišćenje kotača

- Kotači se mogu čistiti vlažnom krpom. Treba ih potpuno osušiti mekim ručnikom ili krpom.

## ČUVANJE

- Sunčeva svjetlost može izbljediti tkaninu sjedala ili osušiti gume, stoga će čuvanje kolica u zatvorenom prostoru produžiti dobar izgled kolica.
- NE čuvajte kolica vani.
- Provjerite jesu li kolica suha prije nego ih spremite na duže vrijeme.
- Uvijek čuvajte kolica na suhom mjestu.
- Čuvajte kolica na sigurnom mjestu kada se ne upotrebljavaju (npr. tamo gdje se djeca ne mogu njima igrati).
- NEMOJTE stavljati teške predmete na kolica.
- NE čuvajte kolica blizu izravnog izvora topline kao što su radijatori ili vatra.

## Ograničeno jamstvo tvrtke Baby Jogger

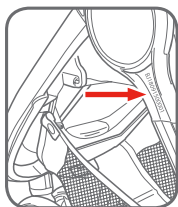
Tvrtka Baby Jogger jamči da okvir kolica nema kvarova proizvođača tijekom radnog vijeka proizvoda. Kvarovi nastali proizvođačevom pogreškom uključuju ali se ne ograničavaju na lom zavarenih dijelova i oštećenja cijevi okvira kolica. Tekstil ili mekani materijali na šavovima i svi drugi dijelovi imat će jamstvo jednu godinu od datuma kupnje (osim cijevi i guma). Za reklamacije na jamstvo potrebna je potvrda o kupnji, a jamstvo se daje samo originalnom kupcu.

OVO JAMSTVO NE POKRIVA:

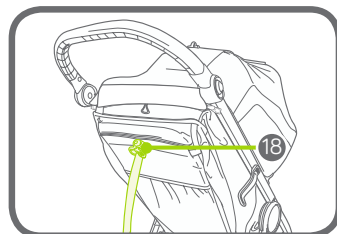
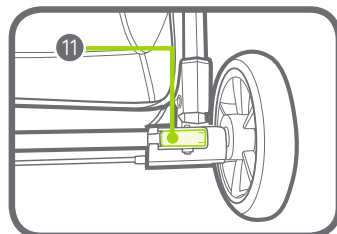
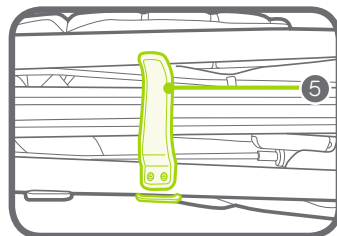
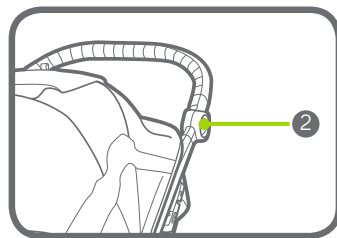
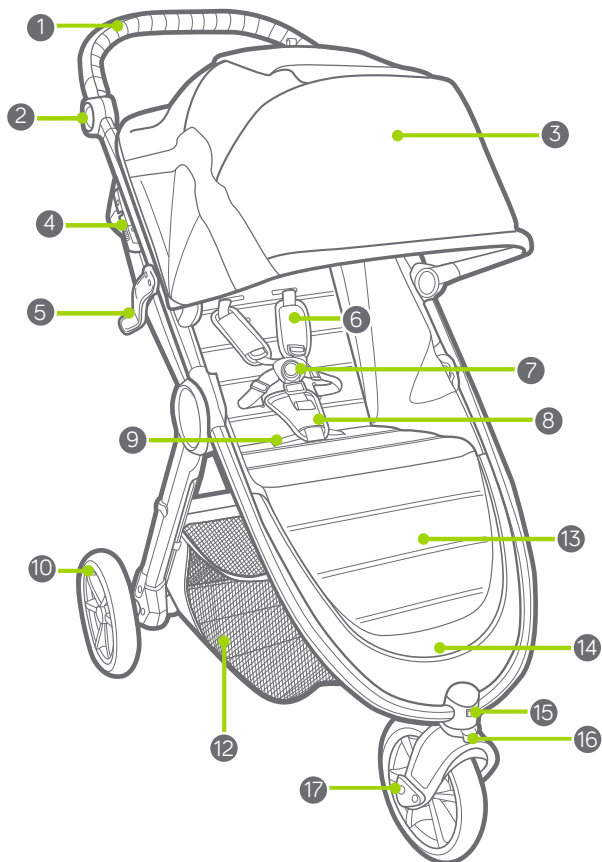
- standardno trošenje i habanje
- koroziju ili hrđu
- nepravilno sklapanje ili postavljanje dijelova ili pribora trećih strana koji nisu u skladu s originalnim dizajnom
- slučajno ili namjerno oštećenje, zloupotrebu ili nehat, ili upotrebu na stepenicama ili pomičnim mehaničkim stepenicama.
- upotrebu u komercijalne svrhe
- nepravilno skladištenje / održavanje kolica

Ovo jamstvo posebno isključuje potraživanja za neizravne, slučajne ili posljedične štete. Podrazumijevano jamstvo o mogućnosti prodaje i pogodnosti za određenu upotrebu u skladu je s određenim jamstvenim rokom za ovaj model kolica u vrijeme kupnje. Neke države ne dopuštaju isključenja ili ograničenja slučajne ili posljedične štete, te gore navedena ograničenja ili isključenja se možda ne primjenjuju na vas. Ovo jamstvo vam daje određena zakonska prava, a vi možda također imate druga prava koja se razlikuju od države do države. Kako biste saznali koja su vaša zakonska prava u vašoj državi, obratite se lokalnoj ili državnoj službi za potrošače ili državnom odvjetniku vaše države.

Ako ste kupili kolica izvan Sjedinjenih Američkih Država, obratite se distributeru u zemlji u vašoj blizini. Njihove kontaktne informacije mogu se naći na našoj web-stranici na <http://www.babyjogger.com/retailers/#international>. Potraživanja po osnovu jamstava izvan zemlje u kojoj je ovaj proizvod kupljen mogu uključivati troškove prijevoza.



**NAPOMENA:** Kada budete kontaktirali distributera tvrtke Baby Jogger glede vaših kolica, imajte pri ruci serijski broj kolica. On se nalazi odmah ispod glavčine na vanjskoj strani stražnje noge.



- |   |                                   |    |                          |
|---|-----------------------------------|----|--------------------------|
| 1 | Tolókar                           | 10 | Hátsókerék               |
| 2 | Tolókar behajtására szolgáló gomb | 11 | Hátsókerék kioldó gomb   |
| 3 | Vászon tető                       | 12 | Tároló kosár             |
| 4 | Parkolófék                        | 13 | Meghosszabbított lábhely |
| 5 | Az automatikus lezáró             | 14 | Lábtartó                 |
| 6 | Hevederpárnák                     | 15 | Első kerék kioldó gomb   |
| 7 | Hevedercsat                       | 16 | Bolygó/zár               |
| 8 | Elágazó heveder nyílása           | 17 | Első kerék               |
| 9 | Elülső heveder                    | 18 | Ülésdöntő heveder        |

## FIGYELMEZTETES

Fontos – Figyelmesen olvassa el és őrizze meg későbbi felhasználás esetére. Hatással lehet a gyermeke biztonságára, ha nem tartja be ezeket az utasításokat.

### FIGYELMEZTETES

- Soha ne hagyja gyermekét felügyelet nélkül.
- Mindig használja a biztonsági felszerelést.
- Ez a termék nem alkalmas futáshoz.
- Ellenőrizze, hogy használat előtt minden rögzítő szerkezet be legyen kapcsolva.
- A sérülések elkerülése végett, tartsa távol gyermekét a babakocsi összecsuksakor és széthajtásakor.
- A sérülések elkerülése érdekében vegye le a gyerektálcát vagy a hasvédő korlátot a gyerekkocsi összehajtásakor és kinyitásakor.
- Ne engedje gyermekét játszani a termékkel.

### TOVÁBBI BIZTONSÁGI INFORMÁCIÓK

- Ez a babakocsi egy utasnak biztosít helyet. SOHA ne engedjen egynél több gyermeket egyszerre a babakocsiba.



max 22 kg

- Az ülésrendszer egy gyermek részére megfelelő a születéstől 22 kg-os súlyig.
- A babakocsihoz ajánlott teljes súlyterhelés: 28 kg. 22 kg az ülésben, 1 kg az ülés hátsó zsebében, továbbá 4,5 kg a kosárban.

- Alvással együtt használt autósülések esetében ez a hordozó nem helyettesíti a mózeskosarat vagy az ágyat. Ha a gyermeknek aludnia kell, fektesse megfelelő fekvő babakocsiba, mózeskosárba vagy ágyba.
- Ha a fogantyúhoz és/vagy a háttámla hátuljához és/vagy a jármű oldalaihoz bármilyen terhet csatolnak, ez hatással lesz a jármű stabilitására.
- Újszülötteknél mindig a legjobban megdöntött pozíciót használja.
- Rögzítse a fékeket még azelőtt, hogy a gyermeket beültetné vagy kivenné a babakocsiból, továbbá minden olyan alkalommal, amikor a babakocsi éppen nem megy.
- A gyerekkocsit kicsit előre-hátra mozgatva győződjön meg arról, hogy a fék megfelelően be van kapcsolva.
- A babakocsiban rendeltetésszerűen nem lehet gyermekeket lépcsőn vagy mozgólépcsőn szállítani. A jótállás nem terjed ki a babakocsiban emiatt keletkező károokra.
- Ne használjon olyan tartozékokat, amelyeket a Baby Jogger nem hagyott jóvá.
- Figyeljen az autókra – ne tételezze fel, hogy az autó vezetője látja Önt vagy a gyermekét.
- Az utasnak ülve kell maradnia (nem szabad felállnia a babakocsiban).
- Csak a Baby Jogger-től vásárolt vagy általa jóváhagyott cserealkatrészeket használja.



## VÁZ

- 1 Csomagolja ki a babakocsi vázát a dobozból és tegye félre a kerekeket. Nyissa ki a babakocsit a tárolózár karjának meghúzásával.
- 2 Hajtsa szét a babakocsit a tolókart elhúzva a váztól. Majd emelje el a tolókart az üléstől. A babakocsi rögzül a helyén, amit egy kattánás jelez.
- 3 Állítsa a babakocsit függőleges helyzetbe.

**▲ FIGYELMEZTETÉS:** Ügyeljen rá, hogy a rögzítő berendezések használat előtt be legyenek kapcsolva.

## ELSŐ KERÉK

### 4 Beszerelés

- Fektesse a hátára a babakocsit úgy, hogy a tolókar a padlón fekjedjen.
- Csatlakoztassa az Első kereket oly módon, hogy becsúsztatja az első keréktartóra, amíg be nem kattán. Az Első kereket gyengéden meghúzva ellenőrizze, hogy a helyére kattant-e.

### 5 Levétel

- Az első kerék kioldógombját lenyomva gyengéden csúsztassa le az Első kereket az első keréktartóról

## BOLYGÓKERÉK FUNKCIÓ

- 6 Nyomja le a bolygókerék gombját és csúsztassa a bolygókerék-zárat balra, hogy ez elsőkerék-szerelvényt zárt állásban rögzítse a hosszú sétákhoz.
- 7 Nyomja le a bolygókerék gombját és csúsztassa a bolygókerék-zárat jobbra, hogy az elsőkerék-szerelvény bolygókerékként funkcionálhasson.

**▲ FIGYELMEZTETÉS:** A gyermek beültetésekör vagy kiemeléséskör rögzítse az első kereket fix állásban. Bár rögzül a babakocsi első kereke, nem arra készült, hogy kocogjanak vagy tornagyakorlatot végezzenek vele.

## HÁTSÓKEREKEK

### 8 Beszerelés

- Állítsa egy vonalba a hátsó kerék tengelyét a babakocsi vázán lévő kerékszerelvénnel, majd dugja is bele, amíg a helyére nem pattán. Ezt egy kattánás jelzi.

- A hátsó kereket gyengéden meghúzva ellenőrizze, hogy a helyére kattant-e.

### 9 Levétel

- A kerékkiloldó gomb lenyomásával egy időben finoman csúsztassa ki a hátsó kereket a kerékszerelvényből.

## FÉK

10 A fékek zárolásához: Gyengéden húzza a fékkart függőleges állásba, amíg a helyére nem kattán.

11 TA fékek kioldásához: Csípje össze a szürke fűleket és húzza maga felé a kart. Tolja lefelé a fékkart addig, amíg párhuzamosan nem áll a vázzal.

**▲ FIGYELMEZTETÉS:** Rögzítse a fékeket még azelőtt, hogy a gyermeket beültetné vagy kivenné a babakocsiból, továbbá minden olyan alkalommal, amikor a babakocsi éppen nem megy.

## VÁSZONTETŐ

12 Szerelje fel a vázontetőt a vázra a két szerelőkonzol egyikére csúsztatva a vázontetőt. A levételhez húzza le a vázontetőt a konzolokról.

MEGJEGYZÉS: A City Go/ Graco vagy Britax autósülés használatakor a vázontető felhúzott állapotban kell legyen. A többi autósülésnél le kell venni a vázontetőt.

13 Pattintsa be a két kapcsolót a gyerekkocsivázhoz.

14 Zipzárazza az ülés hátát a vázontető tetejéhez.

Csatlakoztassa a 2 rögzítőszalagot a vázontető oldalán.

15 Húzza előre a vázontető kinyitására és nyomja hátrafelé a vázontető bezárásához.

16 A vázontetőn két ablak van, egy elől és egy hátul. Használatukhoz csavarja fel a redőnyt és rögzítse a rugalmas szalaggal és gombbal.

## FOGANTYÚ

17 Ha a fogantyút a 6 használható pozíció egyikébe szeretné beállítani, mindkét oldalon nyomja meg a fogantyúkioldó gombokat és forgassa felfelé vagy lefelé az új pozícióba.

### A BIZTONSÁGI HEVEDER BEÁLLÍTÁSA

18 Az ülés háta felől oldja ki a rögzítőszalagot és nyissa ki a zsebet, és keresse meg a négyszögletes műanyag stoppert. Forgassa el a stoppert és fűzze át az üléslap nyílásain és az ülés huzatán.

19 Tegye vissza a stoppert az ülésnek a gyermek vállaihoz legközelebbi nyílásába. Vezesse vissza az ülés huzatán, majd a PE lapon keresztül. A szíjat megrántva bizonyosodjon meg arról, hogy rögzült-e a stopper. Mind a két oldalon ismételje meg a folyamatot.

**⚠ FIGYELMEZTETÉS:** Kerülje a babakocsiból kiesésből vagy kicsúszásból eredő súlyos sérüléseket. Mindig jól állítsa be és húzza meg a biztonsági hámot.

**⚠ FIGYELMEZTETÉS:** Mindig a vállszíjakkal és az öl tájékán áthaladó övvel együtt használja az elágazó szíjat.

20 Csúsztassa a Hámpárnákat felfelé, hogy elérjék a szíjon lévő műanyag sánt.

21 Tartsa meg a műanyag sánt, majd a szíjat – arra ráfogva – húzza vagy lazítsa meg.

### A BIZTONSÁGI HÁM HASZNÁLATA

22 Mindkét oldalon illessze be a szíj csatját a hám csatjába.

23 A csatlakoztatott hám és az oldalsó szíj csatjait illessze be a villáscsat oldalába.

24 A villáscsatot a csaton lévő gombra nyomva oldja ki.

### AZ ÜLÉS MEGDÖNTÉSE

25 Csípje össze az ülés mögötti szorítót, majd csúsztassa le a kívánt dőlési szögbe.

26 Az ülés mindkét oldalát húzza le annyira, hogy vonalba kerüljön a szorító pozíciójával. A függőleges pozícióba állításhoz ismételje meg a

lépéseket fordított sorrendben.

**⚠ FIGYELMEZTETÉS:** Amikor beállításokat végez a babakocsi ülésén, ügyeljen rá, hogy a gyermek feje, karja és lába be ne akadjon az ülés mozgó részeibe és a babakocsi vázába.

27 Ha ennél nagyobb szellőzést szeretne, tekerje fel az ülés hátlapját és rögzítse a rugalmas szalaggal és gombbal.

### LÁBTÁMASZ

28 A lábtámasz használatához emelje fel az ülés párná elejét.

29 Forgassa kifelé a támasztókart és engedje le az ülés párnát. Zárolja a támasztókart.

30 A lábtámasz leengedéséhez fordított sorrendben végezze el ezeket a lépéseket.

### ÖSSZEHAJTÁS

- Vegye ki a gyermeket az ülésből.
- Oldja ki az elülső bolygókerék zárját.
- Vegyen le minden adaptert és más tárgyat a kosárról.

**⚠ FIGYELMEZTETÉS:** A sérülések elkerülése érdekében vegye le a gyerektálcát vagy a hasvédő korlátot a gyerekkocsi összehajtásakor és kinyitásakor.

31 Nyomja meg a gombokat a váz mindkét oldalán. Fordítsa felfelé a kart.

32 Helyezze be mutatóujját a kis hurokba és húzza felfelé a „Pull to Fold” (Behajtáshoz húzni) jelölésű kart, és engedje összerogyni a vázat.

33 Ügyeljen rá, hogy az automatikus rögzítő kar a helyére kattanjon.

34 Helyezze a babakocsit függőleges, álló helyzetbe.

### A KOSÁR KIVÉTELE

35 A babakocsi elején kapcsolja ki a 2 kapcsot és húzza ki a hevedereket a lábtartóból.

36 Emelje le a kosarat a horogról.

37 Hátulról emelje le a kosarat a fülről a váz mindkét oldalán.

38 Vegye le a hevedert a C bilincsről mindkét oldalon.

### AZ ÜLÉSPÁRNA LEVÉTELE

39 Fordítsa fel a babakocsit az ülés aljának kiszabadításához.

- A Engedje ki a 2 rögzítőszalagot és húzza ki a babakocsi vázából.
- B Lazítsa ki a rögzítőszalagot és húzza ki a babakocsiváz oldalánál.
- C Csavarja ki a jobb karabiner kampót és húzza ki a hevedert az üléspárnáról.

40 Fordítsa vissza az ülést a kerekre. Az üléshezatot húzza felfelé és a gombokról el.

41 Alulról kezdve csúsztassa ki az üléspárnát a babakocsivázról mindkét oldalon.

42 Felülről csúsztassa ki az üléspárnát a vázról mindkét oldalon.

43 Vegye ki az üléspárnát.

Amikor vissza kívánja tenni a párnát a vázra, fordított sorrendben járjon el.

**▲ FIGYELMEZTETÉS:** Gondoskodjon arról, hogy minden rögzítő megfelelő módon zárva legyen, amikor visszaszereli az üléspárnát.

# ÁPOLÁS ÉS KARBANTARTÁS

Ha meg akarja őrizni a babakocsi hosszú élettartamát, fontos egyszerű de rendszeres karbantartást végezni. Időről időre gondoskodjon róla, hogy a csatlakozások és az összecsukódó területek jó állapotban legyenek. Ha nyikorgást hall vagy feszültséget érez, elviheti a babakocsit a helyi bicikli szaküzletbe, hogy kenjék meg. Minden javítást hivatalos márkakereskedésnek kell végeznie.

## MOSÁS

### Üléshuzat

- A babakocsi üléshezata hidegvízben, enyhe mosószerrel mosógépben is kimosható.
- Ügyeljen rá, hogy mosás előtt levegye a fém vázat és a PE lapokat az ülésről.
- Ne használjon oldószerket, maró vagy dörzshatású tisztítószerket.
- Hogy a huzat ne menjen össze, az ülést egyszerűen tegye vissza a vázra száradni.
- Ne vasalja, vegytisztítsa, tegye szárítógépbe vagy csavarja ki a huzatot.
- Ha az üléshezatot ki kell cserélni, csak hivatalos Baby Jogger márkakereskedőtől származó termékeket használjon. Garantáltan kizárólag ezek mentek át biztonsági teszten és tervezték őket pont erre az ülésre.

### Műanyag/Fém elemek

- Enyhén szappanos meleg vízzel törölje őket tisztára.
- Nem szabad levenni, szétszerelni vagy megváltoztatni az ülés összehajtó mechanizmusának vagy a fékeknek az elemeit.

### A kerekek ápolása

- A kerekeket nedves ruhával tisztítsa meg. Teljesen meg kell őket szárítani egy puha törülközővel vagy ruhával.

### TÁROLÁS

- A naptól kifakulhat az üléshezut és kiszáradhatnak a kerékgumik, ha tehát beltérben tárolja a babakocsit, hosszabb ideig tetszetős marad.
- NE tárolja szabad térben.
- Ügyeljen rá, hogy a babakocsi megszáradjon, mielőtt hosszabb időre elteszi.
- A babakocsit mindig száraz helyen tárolja.
- Amikor a babakocsi nincs használatban, tegye el biztonságos helyre (vagyis olyan helyre, ahol gyerekek nem tudnak játszani vele).
- NE helyezzen nehéz tárgyakat a babakocsi tetejére.
- NE tartsa a babakocsit közvetlen hőforrás, például radiátor vagy tűz közelében.

# A Baby Jogger korlátozott élettartamra szóló jótállása

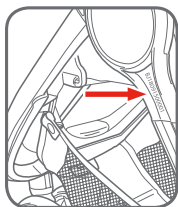
A Baby Jogger a termék teljes élettartamára szavatolja, hogy a váz mentes a gyártási hibáktól. A gyári hibák a teljesség igénye nélkül a hegesztések eltörését és a csőváz sérülését jelentik. A textil és a puha oldalú anyagokra és az összes többi elemre egy éves jótállás vonatkozik a vásárlás napjától számított egy évig (a csövek és a kerékgumik kivételével). A vásárlási bizonylatnak kell képeznie a jótállási kárigényt, és a jótállás csak az eredeti vásárlóra vonatkozik.

NEM TARTOZIK A JÓTÁLLÁS HATÁLYA ALÁ A:

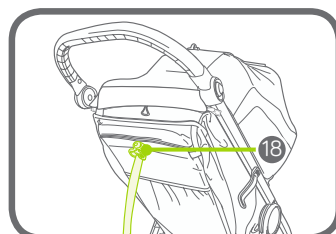
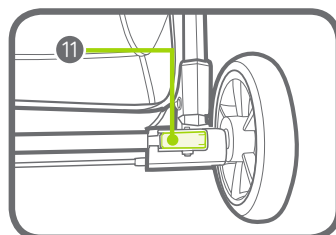
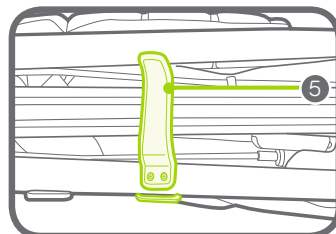
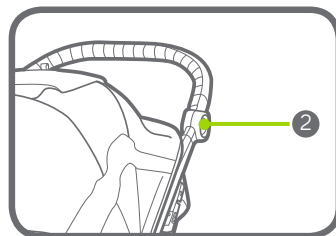
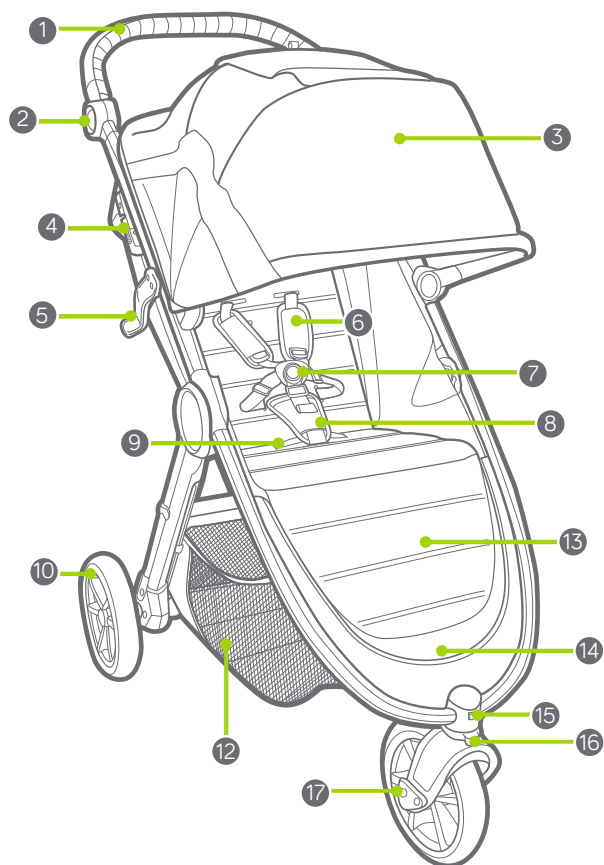
- Szokásos kopás és elhasználódás
- Rozsdásodás vagy rozstda
- Helytelen összeszerelés vagy az eredeti kialakítással nem kompatibilis külső fél alkatrészeinek vagy tartozékainak a beszerelése
- Véletlen vagy szándékos károkozás, bántalmazás vagy hanyagság, illetve lépcsőn vagy mozgólépcsőn történő használat.
- Kereskedelmi használat
- A babakocsi helytelen tárolása/ápolása

A jelen jótállás kifejezetten kizárja a közvetlen, eseti vagy következményi károk miatti kárigényeket. A kifogástalan kereskedelmi minőség és egy adott célra való alkalmasság rejtett garanciái ezen modell konkrét jótállási időszakának felelnek meg, bármikor legyen is a vásárlás. Egyes államok nem engedik meg az eseti vagy következményi károk kizárását vagy korlátozását, így előfordulhat, hogy a fenti korlátozások vagy kizárások Önre nem vonatkoznak. A jelen jótállás konkrét törvényes jogokkal ruházza fel Önt, sőt más jogokkal is rendelkezhet, amelyek államról államra változnak. Ha meg szeretné tudni, hogy milyen törvényes jogok illetik meg, forduljon a helyi vagy az állami fogyasztásügyi hivatalhoz vagy saját államának igazságügy miniszteréhez.

Ha a babakocsit az Egyesült Államokon kívül vásárolták, kérjük, forduljon az Önhöz legközelebb lévő országban lévő forgalmazóhoz. Ezt az információt az alábbi címen találja meg: <http://www.babyjogger.com/retailers/#international>. Ha a termék megvásárlásának országán kívül nyújtanak be szavatossági kárigényt, szállítási költségek keletkezhetnek.



MEGJEGYZÉS: Ha a babakocsival kapcsolatban megkeresi a Baby Jogger forgalmazót, kérjük, készítse elő a babakocsi sorszámát. Ez közvetlenül a kerékagy alatt, a hátsó láb külső oldalán található.



- |   |                            |    |                           |
|---|----------------------------|----|---------------------------|
| 1 | Duwstang                   | 10 | Achterwiel                |
| 2 | Inklapknop voor duwstang   | 11 | Ontgrendelknop achterwiel |
| 3 | Kap                        | 12 | Mandje                    |
| 4 | Rem                        | 13 | Beensteun                 |
| 5 | Automatische vergrendeling | 14 | Voetenplankje             |
| 6 | Gareelkussens              | 15 | Ontgrendelknop voorwiel   |
| 7 | Gareelgesp                 | 16 | Zwenkblokkering           |
| 8 | Kruisriemkussens           | 17 | Voorwiel                  |
| 9 | Inklapriem                 | 18 | Riem voor zijte kantelen  |

# WAARSCHUWING

Belangrijk - Lees zorgvuldig en bewar voor latere raadpleging.

De veiligheid van uw kind kan in gevaar komen als u deze instructies niet volgt.

## WAARSCHUWING

- Nooit het kind zonder toezicht laten.
- Altijd het veiligheidstuigje gebruiken.
- Dit product is niet geschikt om mee hard te lopen of te skeeleren.
- Zorg ervoor dat alle vergrendelingsmechanismes vast zitten voor dat je het product gebruikt
- Zorg ervoor dat het kind uit de buurt is tijdens het in- en uitklappen van het product om letsel te voorkomen.
- Verwijder om letsel te voorkomen het kinderbakje of de stootbeugel wanneer u de wandelwagen in- of uitklapt.
- Laat het kind niet met dit product spelen.

## AANVULLENDE

### VEILIGHEIDSINFORMATIE

- Deze wandelwagen is bedoeld voor één kind. Laat NOOIT meer dan één kind in deze wandelwagen zitten.



- Het zitje is geschikt voor één kind vanaf de geboorte tot maximaal 22 kg.
- De totale aanbevolen belasting voor deze wandelwagen bedraagt 28 kg: 22 kg in het zitje, 1 kg in de zak achterop het zitje en 4,5 kg in de mand. Overgewicht kan gevaarlijke instabiliteit veroorzaken.

- Een autostoel gecombineerd met een onderstel vervangt geen wieg of bedje. Als uw kind moet slapen, plaatst u het beter in een reiswieg, bedje of geschikte kinderwagen.
- Elk gewicht dat aan de duwstang en/of de achterkant van de rugleuning en/of de zijkanten van de wandelwagen wordt gehangen, beïnvloedt de stabiliteit van de wagen.
- Voor pasgeboren baby's adviseren we altijd de laagste ligstand te gebruiken.
- Zet de remmen op alvorens u uw kind in de wandelwagen te zetten of eruit te halen en wanneer de wandelwagen niet in beweging is.
- Controleer of de rem correct op is gezet door de wandelwagen zachtjes heen en weer te bewegen.
- De wandelwagen is niet bedoeld om een kind mee op trappen of roltrappen te vervoeren. De garantie dekt geen schade aan de wandelwagen die hierdoor is veroorzaakt.
- Gebruik geen toebehoren die niet zijn goedgekeurd door Baby Jogger.
- Kijk uit voor auto's – ga er nooit van uit dat een chauffeur u en uw kind kan zien.
- Zorg dat het kind blijft zitten en niet staat in de wandelwagen.
- Gebruik uitsluitend door Baby Jogger geleverde of goedgekeurde vervangingsonderdelen.

## KADER

- 1 Pak het kader van de kinderwagen uit de doos uit en plaats de wielen opzij.  
Ontgrendel de wandelwagen door aan de hendel van de transportvergrendeling te trekken.
  - 2 Klap de wandelwagen open door aan de duwstang te trekken, weg van het onderstel. Til dan de duwstang op, weg van het stoeltje. De kinderwagen wordt vergrendeld en u hoort een klik.
  - 3 Plaats de kinderwagen rechtop.
- ⚠ WAARSCHUWING:** zorg ervoor dat alle vergrendelingen vóór gebruik zijn ingeschakeld.

## VOORWIEL

### 4 Installatie

- Leg de kinderwagen neer met de duwstang op de grond.
- Bevestig het voorwiel door het in het voorwielgedeelte van het kader te schuiven totdat het vastklikt. Trek voorzichtig aan het voorwiel om te controleren of het goed vastzit.

### 5 Verwijdering

- Druk op de ontgrendelknop van het voorwiel en schuif het voorwiel voorzichtig uit het kader.

## ZWENKBLOKKERING

- 6 Druk de knop van de zwenkblokkering neer en schuif de zwenkblokkering naar links om het hele voorwiel in een vaste positie vast te zetten voor een lange wandeling.
- 7 Druk de knop van de zwenkblokkering neer en schuif de zwenkblokkering naar rechts om het hele voorwiel te laten zwenken.

- ⚠ WAARSCHUWING:** Vergrendel het voorwiel in een vaste positie als u het kind in de wagen plaatst of het eruit haalt. Hoewel het voorwiel van de kinderwagen kan worden vergrendeld, dient de wagen niet om te joggen of te trainen.

## ACHTERWIELEN

### 8 Installatie

- Breng de as van het achterwiel in lijn met de plaats voor het wiel in het kader van de kinderwagen en duw het wiel in het wielkader totdat het vergrendeld is. U hoort een klik.
- Trek voorzichtig aan het achterwiel om te controleren of het goed vastzit.

### 9 Verwijdering

- Druk de ontgrendelknop van het wiel neer en schuif tegelijkertijd het achterwiel voorzichtig uit het wielkader.

## REM

10 Remmen vergrendelen: Trek de remhendel voorzichtig rechtop tot deze vastklikt.

11 Remmen ontgrendelen: Knijp in de grijze lipjes en trek de hendel naar u toe. Duw de remhendel naar beneden totdat deze parallel staat met het frame.

- ⚠ WAARSCHUWING:** vergrendel de remmen wanneer u uw kind in de kinderwagen plaatst of het eruit haalt, en ook als de kinderwagen stilstaat.

## KAP

12 Breng de kap aan op het frame door de kap over een van de twee montagebeugels te schuiven. Schuif de kap van de montagebeugels om ze te verwijderen.

**OPMERKING:** Bij gebruik van een City Go/Graco of Britax autozitje moet de kap in de hoogste stand staan. Voor alle andere autozitjes moet de kap worden verwijderd.

- 13 Sluit de twee druksluitingen op het frame van de wandelwagen.
- 14 Rits de achterkant van het zitje vast aan de bovenkant van de kap.



Maak de 2 bevestigingsstrips aan de zijkant van de kap vast.

- 15 Trek de kap naar voren om te openen. Duw de kap naar achter om te sluiten.
- 16 De kap heeft twee kijkvensters: een bovenop en 1 achterop. Om deze gebruiken, rolt u het scherm naar de bovenkant en maakt u het vast met de elastiek en knop.

### DUWSTANG

- 17 Om de duwstang in een van de 6 standen te zetten, drukt u de ontgrendelknoppen aan weerszijden in en draait u de duwstang omhoog of omlaag in de nieuwe stand.

### GAREEL AANPASSEN

- 18 Maak de zak achterop het zitje los en tast erin om de vierkante kunststof stopper te vinden. Draai aan de stop en geleid de stop door de openingen in het PE-bord en de stof van het stoeltje.
- 19 Steek de stop opnieuw in de opening van het stoeltje het dichtst bij de schouders van het kind. Opnieuw geleiden door de stof van het stoeltje en het PE-bord. Trek aan het bandje om te controleren of de stop vergrendeld is. Herhaal dit aan beide kanten.

**⚠ WAARSCHUWING:** Voorkom ernstig letsel door vallen of uitglijden. Stel het gareel altijd goed bij en maak het altijd goed vast.

**⚠ WAARSCHUWING:** gebruik altijd de kruisriem in combinatie met schouder- en heupgordels.

- 20 Schuif de gareelkussens omhoog om bij de plasticgeleider van de riem te komen.
- 21 Houd de plasticgeleider vast en trek aan de riem om vaster of lossere te maken.

### GAREEL GEBRUIKEN

- 22 Steek de gesp van de zijriem aan beide kanten in de gesp van het gareel.
- 23 Steek de verbonden gespen van gareel en zijriem in de kanten van de kruisgesp.
- 24 Druk op de knop van de kruisgesp om te ontgrendelen.

### STOELTJE IN LIGSTAND

- 25 Knijp in de klem achter het stoeltje en schuif neer in de gewenste ligstand.
  - 26 Trek het stoeltje aan beide kanten neer volgens de stand van de klem. Stappen herhalen in omgekeerde volgorde om rechtop te plaatsen.
- ⚠ WAARSCHUWING:** Hoofd, armen en benen van het kind moeten zich uit de nabijheid van bewegende delen van het stoeltje en het kader van de kinderwagen bevinden wanneer u het stoeltje bijstelt.
- 27 Rol voor extra ventilatie de achterflap van het zitje op en maak deze vast met de elastiek en knop.

### BEENSTEUN

- 28 Til de voorkant van het zitkussen op om de beensteun te gebruiken.
- 29 Draai de draagarm uit en laat het zitkussen zakken. Vergrendel de draagarm.
- 30 Herhaal de stappen in omgekeerde volgorde om de beensteun te laten zakken.

### OPVOUWEN

- Haal uw kind uit het stoeltje.
- Zet de zwenkblockering van de voorwielen los.
- Alle toebehoren en alle zaken uit het mandje verwijderen.

**⚠ WAARSCHUWING:** Verwijder om letsel te voorkomen het kinderbakje of de stootbeugel wanneer u de wandelwagen in- of uitklapt.

- 31 Druk de knoppen aan weerszijden van het frame in.  
Draai de handgreep omhoog.
- 32 Steek uw wijsvinger in de kleine lus, trek aan de inklaphendel 'Trekken om in te klappen' en laat het frame inklappen.
- 33 De automatische vergrendelknop moet vastklikken.
- 34 Zet de wandelwagen rechtop.

### **MANDJE VERWIJDEREN**

- 35 Trek vanaf de voorkant van de wandelwagen, maak de 2 druksluitingen los en trek de riempjes uit de beenruimte.
- 36 Til de mand van de haak.
- 37 Til vanaf de achterkant de bovenkant van de mand van het lipje aan weerszijden van het frame.
- 38 Verwijder het riempje van de C-klem aan weerszijden van het frame.

### **HET ZITKUSSEN VERWIJDEREN**

- 39 Draai de wandelwagen om zodat de onderkant van het zitje zichtbaar wordt.
  - A Maak de 2 bevestigingsstrips los en trek deze uit het frame van de wandelwagen.
  - B Maak de bevestigingsstrips los en trek deze uit de zijkanten van de wandelwagen.
  - C Draai de rechter karabijnhaak los en trek de riem uit het zitkussen.
- 40 Draai het zitje om zodat het weer op de wielen rust. Trek de bekleding van het zitje omhoog en van de knopen.
- 41 Schuif het zitkussen vanaf de onderkant aan weerszijden van het frame van de wandelwagen.
- 42 Schuif het zitkussen vanaf de bovenkant aan weerszijden uit het frame van de wandelwagen.
- 43 Verwijder het zitkussen.  
Herhaal de stappen in omgekeerde volgorde om het zitkussen opnieuw aan het frame te bevestigen.

 **WAARSCHUWING:** Controleer of alle bevestigingen goed gesloten zijn wanneer u het zitkussen opnieuw aanbrengt.

# ZORG EN ONDERHOUD

Om uw kinderwagen lang te gebruiken, is het belangrijk dat u de wagen eenvoudig en regelmatig onderhoudt. Controleer nu en dan of verbindingen en opvouwplaatsen nog in goede conditie zijn. Als u een piepend geluid hoort of spanning voelt, breng de kinderwagen dan naar een fietsenwinkel in de buurt om te smeren. Alle reparaties moeten worden uitgevoerd door een bevoegde verkoper.

## WASSEN

### Stof van het stoeltje

- U kunt het zitje van uw wandelwagen met de hand wassen in koud water met een fijnwasmiddel.
- Verwijder het metalen kader en de PE-borden van het zitje, voordat u het wast.
- Gebruik geen oplosmiddelen of harde of schurende wasproducten.
- Om krimpen te beperken, bevestigt u het zitje aan het kader om te drogen.
- De stof niet strijken, chemisch reinigen, droogzwieren of uitwringen.
- Als de stoelbedekking moet worden vervangen, gebruik dan uitsluitend onderdelen van een bevoegde verkoper van Baby Jogger. Alleen deze onderdelen zijn gegarandeerd getest op veiligheid en zijn bedoeld om op dit stoeltje te passen.

### Plastic-/metalen onderdelen

- Maak schoon met een zachte zeep en lauw water.
- Geen enkel deel van de opvouwmechanismen van het stoeltje en de remmen verwijderen, ontmantelen of veranderen.

## Onderhoud van de wielen

- U kunt de wielen schoonmaken met een vochtige doek. Ze moeten helemaal worden gedroogd met een zachte handdoek of doek.

## OPBERGEN

- Door de zon kan de stof van het stoeltje verbleken en kunnen de banden uitdrogen. Daarom zal de kinderwagen langer mooi blijven, als u de wagen binnen laat staan.
- NIET buiten laten staan.
- Controleer of de kinderwagen droog is, voordat u de wagen voor een lange periode opbergt.
- De kinderwagen altijd opbergen in een droge omgeving.
- Berg de kinderwagen veilig op wanneer u de wagen niet gebruikt (waar kinderen niet ermee kunnen spelen).
- GEEN zware voorwerpen op de kinderwagen plaatsen.
- De kinderwagen NIET plaatsen in de directe nabijheid van een warmtebron, zoals een radiator of vuur.

# Beperkte garantie over de gebruiksduur van Baby Jogger:

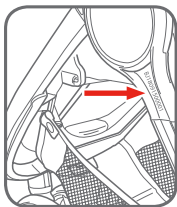
Baby Jogger garandeert dat het kader vrij is van productiefouten over de levensduur van het product. Fabricagefouten zijn onder meer, zonder beperking, het breken van een las of schade aan kaderpijpen. Voor textiel, andere zachte materialen en alle andere componenten geldt een garantie van één jaar vanaf de aankoopdatum (uitgezonderd pijpen en banden). U hebt een aankoopbewijs nodig voor een garantieclaim en de garantie geldt uitsluitend voor de originele koper.

DE VOLGENDE ZAKEN ZIJN NIET GEDEKT DOOR DE GARANTIE:

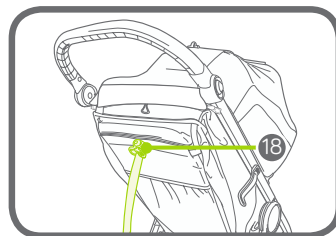
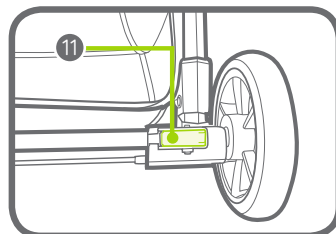
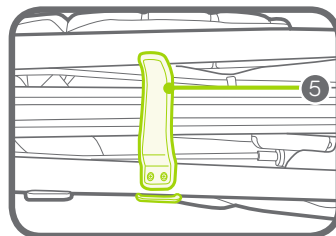
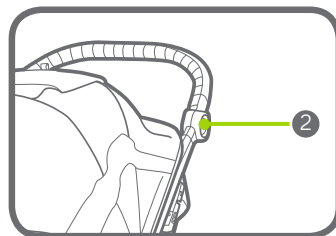
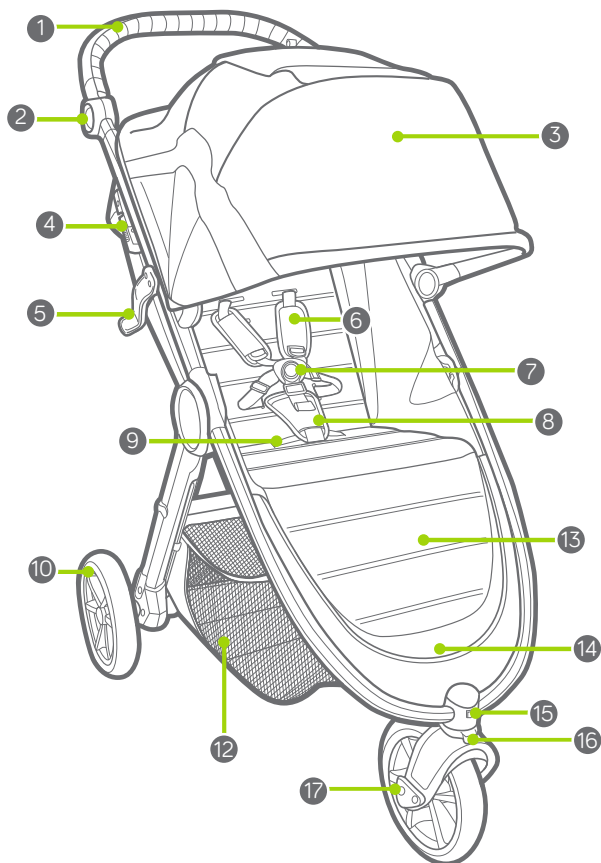
- Gewone slijtage
- Corrosie of roest
- Onjuiste montage en installatie van onderdelen of toebehoren van derden die niet verenigbaar zijn met het oorspronkelijk ontwerp
- Toevallige of opzettelijke schade, misbruik, nalatigheid of gebruik op trappen en roltrappen.
- Commercieel gebruik
- Onjuiste bewaring of slecht onderhoud van het product

Deze garantie sluit specifiek elke claim uit voor middellijke, toevallige of gevolgschade. De stilzwijgende garantie van verkoopbaarheid en geschiktheid voor een bepaald doel is conform de specifieke garantieperiode voor dit model op datum van aankoop. In staten waar de uitsluiting of beperking van toevallige of gevolgschade niet is toegestaan, zijn de bovenstaande beperkingen of uitsluitingen niet van toepassing. Deze garantie geeft u specifieke wettelijke rechten. Afhankelijk van uw verblijfplaats kunt u ook andere rechten hebben. Om te weten wat uw wettelijke rechten in uw verblijfplaats zijn, neemt u contact op met de overheid voor consumptiezaken waar u woont, of met het ministerie van Justitie.

Als u de kinderwagen buiten de Verenigde Staten hebt gekocht, neem dan contact op met de distributeur van het dichtstbijzijnde land. U vindt de contactinformatie op onze website, op <http://www.babyjogger.com/retailers/#international>. Voor garantieclaims buiten het land van aankoop van het product kunnen verzendkosten van toepassing zijn.



NB: Zorg dat u het serienummer van uw wandelwagen bij de hand hebt wanneer u contact opneemt met de Baby Jogger-distributeur met betrekking tot uw wandelwagen. Het serienummer vindt u net onder de naaf aan de buitenkant van de achterpoot.



- |   |                                   |    |                                |
|---|-----------------------------------|----|--------------------------------|
| 1 | Håndtak                           | 10 | Bakhjul                        |
| 2 | Knapp for å legge samme håndtaket | 11 | Utløserknapp for bakhjul       |
| 3 | Kalesje                           | 12 | Storage Basket                 |
| 4 | Parkeringsbremse                  | 13 | Fotstøtte                      |
| 5 | Automatisk lås                    | 14 | Fotrom                         |
| 6 | Seleputer                         | 15 | Utløserknapp for fronthjul     |
| 7 | Selespenne                        | 16 | Svingledd/lås                  |
| 8 | Polstring rundt skrittstopp       | 17 | Bakhjul                        |
| 9 | Rem som brukes til sammenslåing   | 18 | Rem for tilbakevipping av sete |

## ADVARSEL

Viktig – Les nøye og oppbevar for fremtidig bruk.

Barnets sikkerhet kan settes i fare hvis du ikke følger disse instruksjonene.

### ADVARSEL

- Aldri etterlat barnet uten tilsyn.
- Bruk alltid sikringssele.
- Dette produktet egner seg ikke for løping eller for bruk med rulleskøyter.
- Kontroller at alle låsemekanismer er aktivert før bruk.
- For å unngå personskaade, sørg for å holde barnet ditt på avstand mens du slår opp og slår sammen produktet.
- For å unngå skade, skal barnebrett- eller magestang-utstyret fjernes når du bretter sammen eller bretter ut sittevognen.
- La ikke barnet leke med produktet.

### MER SIKKERHETSINFORMASJON

- Denne sittevognen har plass til én passasjer. La ALDRI mer enn ett barn sitte i denne sittevognen om gangen.



max 22 kg

- Dette setet er egnet for ett barn fra fødsel og opp til 22 kg.
- Total anbefalt vektbelastning for denne barnevognen er 28 kg, 22 kg i setet, 1 kg i setets baklomme og 4,5 kg i kurven. For stor vekt kan føre til farlige, ustabile situasjoner.

- Enhver last som er festet til håndtaket og/eller på baksiden og/eller på siden av kjøretøyet vil påvirke stabiliteten til kjøretøyet.
- Hvis bilseter brukes i tilknytning til en ramme, vil ikke dette erstatte en barneseng eller en seng. Hvis barnet ditt trenger å sove, bør det legges i en passende barnevogn, barneseng eller seng.
- For nyfødte barn må du alltid bruke den mest tilbakelente setestillingen.
- Lås bremsene før du setter ned og tar opp barnet ditt, og ellers når sittevognen ikke er i bevegelse.
- Sørg for at bremsen er riktig innkoblet ved å skyve sittevognen litt frem og tilbake.
- Sittevognen skal ikke brukes til å transportere barn opp eller ned trapper eller i rulletrapper. Skader som oppstår på sittevognen i slike situasjoner blir ikke dekket under garantien.
- Tilbehør som ikke er godkjent av Baby Jogger skal ikke brukes.
- Se opp for biler - du bør aldri anta at en bilfører kan se deg og barnet ditt.
- Passasjeren skal alltid sitte (ikke stå i sittestolen).
- Bruk bare utskiftingsdeler som er levert eller anbefalt av Baby Jogger.

## RAMME

- 1 Pakk ut sittevognrammen fra esken og sett hjulene til side.  
Lås opp barnevognen ved å trekke i oppbevaringslåsspaken.
- 2 Fold ut barnevognen ved å trekke håndtaket vekk fra rammen. Løft håndtaket bort fra setet. Sittevognen vil låses på plass og du hører et klikk.

- 3 Sett sittevognen i stående stilling.

**⚠ ADVARSEL:** Sørg for at alle låseanordninger er sammenkoblet før bruk.

## FRONTHJUL

- 4 Installering
  - Legg sittevognen på ryggen slik at håndtaket hviler på gulvet.
  - Sett på fronthjulet ved å skyve det inn i fronthjulholderen til det klikker på plass. Trekk forsiktig i fronthjulet for å være sikker på at det er sikkert festet.
- 5 Fjerning
  - Mens du trykker inn utløserknappen for fronthjulet, skyv fronthjulet forsiktig ut av fronthjulholderen.

## SVINGLEDDFUNKSJONEN

- 6 Trykk ned svingleddlåsknappen og skyv svingleddlåsen til venstre for å låse fronthjulet i fast posisjon for en lang tur.
- 7 Trykk ned svingleddlåsknappen og skyv svingleddlåsen til høyre når fronthjulet skal svinge.

**⚠ ADVARSEL:** Når du setter ned og tar opp barnet, låses fronthjulet i fast posisjon. Selv om fronthjulet på sittevognen kan låses, er det ikke beregnet på jogging eller treningsformål.

## BAKHJUL

- 8 Installering
  - Still inn bakhjulakselen med hjulholderen på sittevognrammen og sett den inn i hjulholderen til

den klikker på plass. Du hører et klikk.

- Trekk forsiktig i bakhjulet for å være sikker på at det er sikkert festet.

## 9 Fjerning

- Mens du trykker inn hjulutløserknappen, skyver du bakhjulet ut av hjulholderen.

## BREMSE

- 10 Låse bremsene: trekk bremsespaken forsiktig til vertikal stilling til den klikker på plass.
- 11 Frigjøre bremsene: klem på de grå flikene og trekk spaken mot deg. Skyv bremsespaken ned til den er parallell med rammen.

**⚠ ADVARSEL:** Lås bremsene før du setter ned og tar opp barnet ditt, og ellers når sittevognen ikke er i bevegelse.

## KALESJE

- 12 Fest kalesjen til rammen ved å skyve kalesjen på en av to monteringsbraketter. For å fjerne, skyv kalesjen av festene.

**MERK:** Når du bruker en City Go/Graco eller Britax bilsete, må kalesjen være i øverste posisjon. For alle andre bilseter må kalesjen fjernes.

- 13 Klikk på plass de to mekanismene på barnevognens ramme.
- 14 Trekk igjen glidelåsen på baksiden av setet til toppen på kalesjen.  
Fest de to borrelåsene på siden av kalesjen.
- 15 Trekk fremover for å åpne kalesjen og skyv bakover for å lukke kalesjen.
- 16 Det er to kalesjevinduer, én på toppen og én bak. For å bruke dem, rull skyggen opp mot toppen og fest med strikken og knappen.

## HÅNDTAK

- 17 For å endre håndtaket til en av 6 bruksposisjoner, trykk på håndtakets utløserknapper på begge sider og roter opp eller ned til den nye posisjonen.

## JUSTERE SIKKERHETSSELENE

- 18 Fra baksiden av setet løsner du og åpner lommen for å finne den firkantede plaststopperen. Snu stopperen og før den gjennom åpningene i PE-brettet og setetrekket.
- 19 Sett tilbake stopperen i seteåpningen nærmest barnets skuldre. Trykk bakover gjennom setetrekket og PE-brettet. Trekk i stroppen for å påse at stopperen er låst. Gjenta på begge sider.

**⚠ ADVARSEL:** Unngå alvorlig skade forårsaket av fall eller at barnet sklir ut. Sikkerhetsseleene skal alltid justeres og festes på riktig måte.

**⚠ ADVARSEL:** Bruk alltid skrittstroppen sammen med skulderstroppen og midjebeltet.

- 20 Skyv seleputene opp for å få tilgang til plastføreren på stroppen.
- 21 Hold plastføreren og trekk i stroppen for å stramme eller løsne.

## BRUKE SIKKERHETSSELENE

- 22 Før sidestroppspennen inn i selespennen på begge sider.
- 23 Sett inn den sammenkoblede selen og sidestroppspennene inn i sidene på skrittspennen.
- 24 Trykk på knappen på skrittspennen for å frigjøre den.

## VIPPE SETET BAKOVER

- 25 Klem sammen klemmen bak setet og skyv den ned til ønsket tilbakeleningsstilling.
- 26 Trekk setet ned på begge sider slik at det samsvarer med stillingen på klemmen. Følg trinnene i motsatt rekkefølge når du går tilbake til rett posisjon.

**⚠ ADVARSEL:** Når du gjør justeringer på sittevognsetet må du påse at barnets hode, armen og ben er klar fra bevegende setedeler og sittevognrammen.

- 27 For ekstra ventilasjon, rull opp seteklaffen og fest med strikken og knappen.

## FOTSTØTTE

- 28 For å bruke fotstøtten, løft forsiden av seteputen.
- 29 Roter støttearmen ut og senk seteputen. Lås støttearmen.
- 30 For å senke fotstøtten, reverser trinnene.

## BRETTE SAMMEN

- Ta barnet ut av setet.
- Koble fra låsene på de svingbare fronthjulene.
- Fjern alle anordninger og alle gjenstander fra kurven.

**⚠ ADVARSEL:** For å unngå skade, skal barnebrett- eller magestang-utstyret fjernes når du bretter sammen eller bretter ut sittevognen.

- 31 Trykk på knappene på begge sider av rammen.  
Vri håndtaket opp.
- 32 Sett inn pekefingeren i liten sløyfe, dra i «Pull to Fold»-håndtaket, og la rammen falle sammen.


- 33 Påse at den automatiske låsespaken klikker på plass.
- 34 Sett sittevognen oppreist i stående stilling.

## FJERNE KURVEN

- 35 Klikk de to mekanismene på forsiden av vognen fra hverandre og trekk stroppene ut av fotbrønnen.
- 36 Løft kurven av kroken.
- 37 Fra baksiden løfter du toppen av kurven av tappen på begge sider av rammen.
- 38 Fjern stroppen fra C-klemmen på begge sider av rammen.



## FJERNE SETEPUTEN

- 39 Snu barnevognen rundt for å eksponere setebunnen.
- A Løsne de 2 festebåndene og trekk dem ut av barnevognens ramme.
  - B Løsne festebåndene og trekk dem ut av sidene av barnevognens ramme.
  - C Skru av den høyre karabinkroken og trekk stroppen ut av seteputen.
- 40 Vipp setet tilbake over hjulene. Trekk setetrekket opp og av knappene.
- 41 Begynn nederst og skyv seteputen ut fra barnevognrammen på begge sider.
- 42 Fra toppen, skyv seteputen ut av rammen på begge sider.
- 43 Fjern seteputen.  
Utfør trinnene i omvendt rekkefølge når du setter seteputen tilbake på rammen.
-  **ADVARSEL:** Påse at alle festeanordninger er riktig lukket når du fester seteputen igjen.

# STELL OG VEDLIKEHOLD

For å bevare brukstiden for din sittevogn, er det viktig å utføre enkelt, jevnlig vedlikehold. Fra tid til annen bør du sørge for at leddene og brettstedene er i god stand. Hvis du hører knirking eller kjenner spenning, kan du ta sittevognen til en lokal sykkelbutikk for å utføre smøring. Alle reparasjoner skal bare utføres av en autorisert forhandler.

## VASKING

### Setetrekket

- Du kan håndvaske barnevognens sete i kaldt vann med mild såpe.
- Husk å fjerne metallrammen og PE-brettene fra setet før vask.
- Ikke bruk oppløsninger, kaustiske eller skurende rengjøringsmaterialer.
- For å redusere krymping, kan du ganske enkelt sette setet tilbake på rammen for å tørke.
- Trekket skal ikke presses, strykes, renses, tørkes i tørketrommel eller vris opp.
- Hvis setetrekk må skiftes ut, skal det bare brukes deler fra en autorisert Baby Jogger-forhandler. De er de eneste som er garantert å være sikkerhetstestet og utformet for dette setet.

### Plast/metall-deler

- Tørkes av med mild såpe og varmt vann.
- Du bør ikke fjerne, ta fra hverandre eller endre noen del av setets bremtemekanisme eller bremses.

### Stell av hjulene

- Hjulene kan rengjøres med en fuktig klut. De må tørkes helt med et mykt håndkle eller klut.

### OPPBEVARING

- Sollys kan bleke setetrekket og tørke ut dekkene. Innendørs oppbevaring vil forlenge det fine utseendet.
- Skal IKKE oppbevares utendørs.
- Sørg for at sittevognen er tørr før den oppbevares i lengre perioder.
- Sittevognen skal alltid oppbevares i tørre omgivelser.
- Oppbevar sittevognen på et trygt sted når den ikke er i bruk (for eksempel der barn ikke kan leke med den).
- IKKE legg tunge gjenstander på sittevognen.
- IKKE oppbevar sittevognen nær direkte varmekilder, som en radiator eller åpen ild.

## Begrenset livstidsgaranti for Baby Jogger

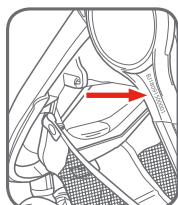
Baby Jogger garanterer at rammen er fri for produksjonsfeil i hele produktets levetid. Produsentens defekter inkluderer, men er ikke begrenset til brudd på sveiseskjøter og skade på rammerør. Tekstiler eller myke sidematerialer og alle andre komponenter skal være garantert for ett år fra kjøpsdato (unntatt for rør og dekk). Kjøpsbevis er nødvendig for å foreta et garantikrav, og garantien er bare gitt til den opprinnelige kjøperen.

### DENNE GARANTIE DEKKER IKKE

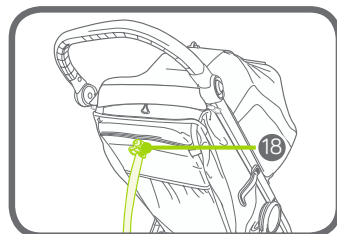
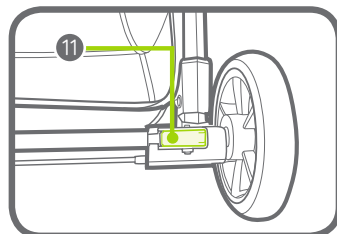
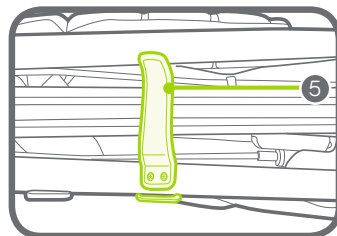
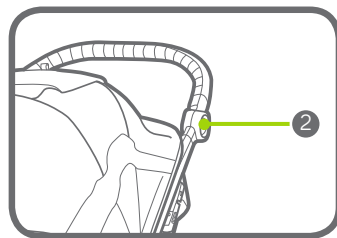
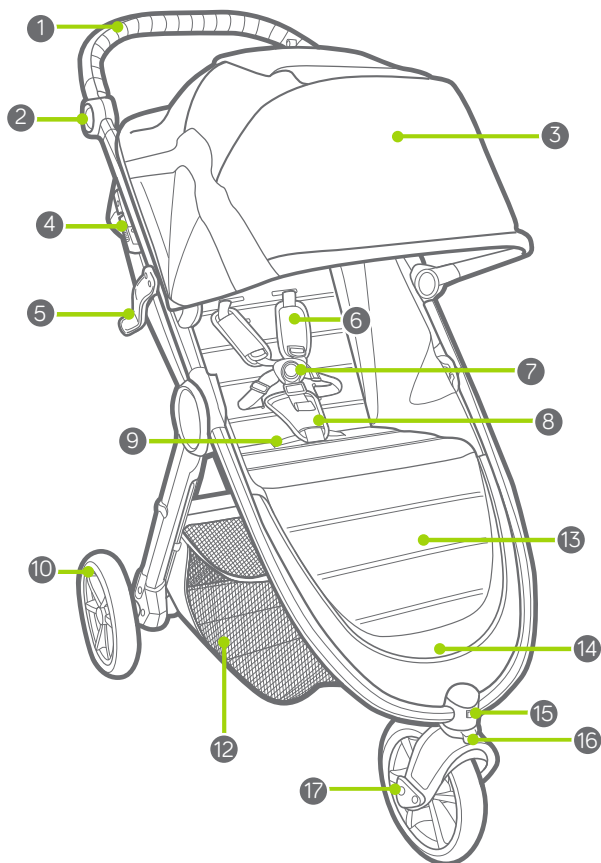
- Normal slitasje
- Korrosjon eller rust
- Feil montering, eller installasjon av tredjeparts deler eller tilbehør som ikke er kompatible med den originale utformingen.
- Utsiktet eller tilsiktet skade, misbruk eller forsømmelse, eller bruk i trapper eller rulletrapper.
- Kommersiell bruk
- Upassende oppbevaring/stell av enheten

Denne garantien ekskluderer spesifikt krav i forbindelse med indirekte, tilfeldige eller følgeskader. De underforståtte garantiene for salgbarhet og egnethet for et bestemt formål er i henhold til den spesifikke garantiperioden for denne modellenheten på kjøpstidspunktet. Ettersom enkelte land ikke tillater fraskrivelse eller begrensning av tilfeldige skader eller følgeskader, så det er mulig at de ovennevnte begrensningene ikke gjelder for deg. Denne garantien gir deg spesifikke juridiske rettigheter, og du kan også ha andre rettigheter som varierer fra stat til stat. For å vite hva dine rettigheter er i staten, ta kontakt med din lokale eller statlige forbrukersaks kontor eller en juridisk rådgiver.

Hvis vognen ble kjøpt utenfor USA, kontakt distributøren i landet som er nærmest deg. Deres kontaktinformasjon finnes på vårt nettsted på <http://www.babyjogger.com/retailers/#international>. Krav om garanti utenfor det landet der produktet ble kjøpt, kan medføre fraktkostnader.



MERK: Ved eventuell kontakt av Baby Jogger-distributøren angående sittevognen, må du ha sittevognens serienummer klart. Det finnes like under huben på utsiden av bakbenet.



- |   |                           |    |                                |
|---|---------------------------|----|--------------------------------|
| 1 | Rączka                    | 10 | Tylne kółko                    |
| 2 | Przycisk składania rączki | 11 | Przycisk zwalniający blokady   |
| 3 | Budka                     | 12 | Koszyk                         |
| 4 | Hamulec parkingowy        | 13 | Podnóżek                       |
| 5 | Automatycznej blokady     | 14 | Podłoga wózka                  |
| 6 | Ochroniacze szelek        | 15 | Zwalniacz przedniego kółka     |
| 7 | Klamra szelek             | 16 | Krętki/blokada                 |
| 8 | Ostona paska krokowego    | 17 | Przednie kółko                 |
| 9 | Pasek do składania        | 18 | Pasek do rozkładania siedziska |

## OSTRZEŻENIE

Ważne! Przeczytaj uważnie i zachowaj na przyszłość jako odniesienie. Nieprzestrzeganie instrukcji może zagrozić bezpieczeństwu dziecka.

### OSTRZEŻENIE

- Nigdy nie zostawiaj dziecka bez opieki.
- Zawsze używaj systemu zapięć.
- Niniejszy wyrób nie jest odpowiedni do biegania ani jazdy na rolkach.
- Upewnij się przed użyciem, czy wszystkie urządzenia blokujące są włączone.
- Aby uniknąć obrażeń, upewnij się, czy dziecko jest odsunięte kiedy rozkłada się lub składa niniejszy wyrób.
- W celu zapobieżenia obrażeniom zdemontować stoliczek i poprzeczkę na czas składania lub rozkładania wózka.
- Nie pozwalaj dziecku bawić się tym wyrobem.

### DODATKOWE INFORMACJE DOTYCZĄCE BEZPIECZEŃSTWA

- Wózek jest przeznaczony do przewożenia jednego dziecka. NIE WOLNO sadzać w nim więcej dzieci.



max 22 kg

- Siedzisko jest przeznaczone dla jednego dziecka od urodzenia do osiągnięcia ciężaru 22 kg.
- Zalecane maksymalne obciążenie tego wózka to 28 kg, 22 kg w siedzisku, 1 kg w kieszeni z tyłu siedziska i 4,5 kg w koszyku. Nadmierne obciążenie może spowodować niebezpieczną niestabilność.

- W przypadku używania z fotelikami samochodowymi ten wózek spacerowy nie zastępuje łóżeczka. Jeżeli dziecko potrzebuje snu, należy je umieścić w odpowiednim wózku z gondolą lub łóżeczku.
- Każdy ładunek zawieszony na rączce, z tyłu oparcia albo z boków wózka wpłynie na jego stabilność.
- W przypadku noworodków zalecamy zawsze używać najbardziej odchylonej pozycji.
- Zablokuj hamulec przed wyjęciem dziecka z wózka i włożeniem go do niego oraz zawsze wtedy, gdy wózek się porusza.
- Upewnij się, że hamulec działa prawidłowo, próbując przesunąć wózek do przodu i do tyłu.
- Wózek nie służy do przewożenia dziecka po schodach ani schodach ruchomych. Wynikające z tego uszkodzenia wózka nie są objęte gwarancją.
- Nie używaj akcesoriów innych niż zatwierdzone przez firmę Baby Jogger.
- Uważaj na samochody: nigdy nie zakładaj, że kierowca widzi Ciebie i Twoje dziecko.
- Dziecko musi cały czas siedzieć (nie może stać w wózku).
- Używaj wyłącznie części zamiennych dostarczonych lub zatwierdzonych przez firmę Baby Jogger.

## RAMA

1 Wyjmij ramę wózka z opakowania i odtóż kółka na bok.

Odblokuj wózek, ciągnąc za dźwignię blokady pozycji przechowywania.

2 Roztóż wózek, odciągając rączkę od ramy. Następnie odsuń rączkę od siedziska. Wózek zablokuje się i usłyszysz kliknięcie.

3 Postaw wózek w normalnej pozycji.

**⚠️ OSTRZEŻENIE:** Przed użyciem wózka sprawdź, czy wszystkie elementy blokujące są zablokowane.

## PRZEDNIE KÓŁKO

4 Montaż

- Połóż wózek „do góry nogami”, tak aby rączka leżała na podłodze.
- Zamocuj przednie kółko, wsuwając je na wspornik, aż usłyszysz kliknięcie. Delikatnie pociągnij przednie kółko, aby sprawdzić, czy jest prawidłowo zamocowane.

5 Demontaż

- Naciskając na zwalniacz przedniego kółka, delikatnie zsuń przednie kółko ze wspornika.

## FUNKCJA KRĘTLIKA

6 Wciśnij przycisk blokady krętlaka i przesun ją w lewo, aby zablokować przednie kółko w ustalonej pozycji, odpowiedniej do jazdy na duże odległości.

7 Wciśnij przycisk blokady krętlaka i przesun ją w prawo, aby odblokować przednie kółko i umożliwić mu swobodne obracanie się.

**⚠️ OSTRZEŻENIE:** Podczas wkładania dziecka do wózka i wyjmowania go zablokuj przednie kółko w ustalonej pozycji. Choć przednie kółko można zablokować, wózek nie nadaje się do biegania ani innych ćwiczeń fizycznych.

## TYLNE KÓŁKA

8 Montaż

- Ustaw oś tylnych kółek równo z wspornikiem kółek na ramie wózka i wsuń ją do wspornika,

aż zablokuje się na miejscu.

Usłyszysz kliknięcie.

- Delikatnie pociągnij tylne kółko, aby sprawdzić, czy jest prawidłowo zamocowane.

9 Demontaż

- Naciskając na zwalniacz kółka, delikatnie zsuń tylne kółko ze wspornika.

## HAMULEC

10 Blokowanie hamulców: delikatnie pociągnij dźwignię hamulca do góry, aż usłyszysz kliknięcie.

11 Zwalnianie hamulców: wciśnij szare języczki i pociągnij dźwignię do siebie. Przesuń dźwignię hamulca w dół, aż będzie ustawiona równolegle do ramy.

**⚠️ OSTRZEŻENIE:** Zablokuj hamulce przed wyjęciem dziecka z wózka i włożeniem go do niego oraz zawsze wtedy, gdy wózek się nie porusza.

## BUDKA

12 Przymocuj budkę do ramy, wsuwając ją do jednej z dwóch par wsporników montażowych. W celu zdjęcia wysuń budkę ze wsporników montażowych.

UWAGA: W przypadku używania fotelika samochodowego City Go/ Graco lub Britax budka musi być zamocowana w górnym położeniu. W przypadku wszystkich innych fotelików samochodowych budka musi być zdemontowana.

13 Przypnij dwa zatrzaski do ramy wózka.

14 Przypnij tylną część siedziska do góry budki.

Zapnij 2 paski mocujące z boków budki.

15 Pociągnij do przodu, aby otworzyć budkę, popchnij do tyłu, aby zamknąć budkę.

16 Budka posiada dwa okienka, jedno na górze i jedno z tyłu. W celu skorzystania z nich zwiń zasłonę do góry i zamocuj ją za pomocą taśmy i guzika.

## UCHWYTY

- 17 W celu przestawienia uchwytu do jednej z 6 pozycji użytkowania naciśnij przyciski zwalniające uchwytu po obu stronach i obróć uchwyt w górę lub w dół do nowej pozycji.

## REGULACJA SZELEK BEZPIECZEŃSTWA

- 18 Odepnij i otwórz kieszeń w tylnej części siedziska, aby zlokalizować plastikowy kwadratowy stoper. Obróć stoper i przetóż przez otwory w płycie z polietylenu i tapicerkę siedziska.
- 19 Włóż stoper ponownie do tego otworu w oparciu siedziska, który znajduje się najbliżej barków dziecka. Przetóż go z powrotem przez otwór w tapicerce siedziska i płycie z polietylenu. Pociągnij za pasek, aby sprawdzić, czy stoper jest zablokowany. Wykonaj te same czynności po obu stronach.

**⚠️ OSTRZEŻENIE:** Nie dopuść do wypadnięcia lub wysunięcia się dziecka z wózka — może to spowodować poważne obrażenia. Zawsze odpowiednio reguluj i zapinaj szelki bezpieczeństwa.

**⚠️ OSTRZEŻENIE:** Zawsze używaj paska krokowego w połączeniu z paskami naramiennymi i paskiem biodrowym.

- 20 Przesuń ochraniacze szelek, aby odstąpić plastikową prowadnicę na pasku.
- 21 Hold the plastic guide and pull strap to tighten or loosen.

## UŻYWANIE SZELEK BEZPIECZEŃSTWA

- 22 Wsuń klamry pasków bocznych w klamrę szelek (po obu stronach).
- 23 Wsuń połączone klamry szelek i pasków bocznych w klamrę paska krokowego.
- 24 Aby rozpiąć szelki, wciśnij przycisk na klamrze paska krokowego.

## ROZKŁADANIE SIEDZISKA

- 25 Ściśnij zatrzask znajdujący się za siedziskiem i rozłóż je w dół dożądanego położenia.
- 26 Pociągnij siedzisko w dół z obu stron, aby wyrównać położenie. Wykonaj opisane czynności w odwrotnej kolejności w celu przywrócenia podniesionej pozycji siedziska.
- ⚠️ OSTRZEŻENIE:** Podczas regulowania siedziska wózka sprawdź, czy głowa, ramiona i nogi dziecka nie znajdują się pomiędzy ruchomymi elementami siedziska a ramą wózka.
- 27 W celu zapewnienia dodatkowej wentylacji zwiń klapę tylną do góry i zamocuj ją za pomocą taśmy i guzika.

## PODNOŻEK

- 28 W celu użycia podnóżka podnieś przednią część poduszki siedziska.
- 29 Obróć wspornik na zewnątrz i opuść poduszkę siedziska. Zablokuj wspornik.
- 30 W celu opuszczenia podnóżka wykonaj opisane czynności w odwrotnej kolejności.

## SKŁADANIE WÓZKA

- Wyjmij dziecko z siedziska.
  - Rozłącz blokady krętlików przednich kótek.
  - Zdejmij wszystkie elementy dodatkowe i wyjmij wszystkie rzeczy z koszyka.
- ⚠️ OSTRZEŻENIE:** W celu zapobieżenia obrażeniom zdemontować stoliczek i poprzeczkę na czas składania lub rozkładania wózka.
- 31 Naciśnij przyciski po obu stronach ramy.  
Obróć uchwyt w górę.
- 32 Włóż palec wskazujący do małej pętli, pociągnij w górę uchwyt do składania i pozwól, aby rama się złożyła.

33 Sprawdź, czy dźwignia automatycznej blokady zablokowała się na miejscu.

34 Ustaw wózek w pozycji stojącej.

#### **ZDEJMOWANIE KOSZYKA**

35 Rozepnij 2 zatrzaski z przodu wózka i wyciągnij paski z podpórki.

36 Zdejmij koszyk z haka.

37 W tylnej części wózka zdejmij górną część koszyka z występów mocujących po obu stronach ramy.

38 Wyciągnij pasek z uchwytu w kształcie C po obu stronach ramy.

#### **ZDEJMOWANIE PODUSZKI SIEDZISKA**

39 Odwróć wózek kołami do góry, aby odstąpić spód siedziska.

A Odepnij 2 paski mocujące i wyciągnij je z ramy wózka.

B Odepnij pasek mocujący i wyciągnij go z boków ramy wózka.

C Rozepnij prawy zatrzask karabinkowy i wyciągnij pasek z poduszki siedziska.

41 Ustaw wózek z powrotem na kołach. Ściągnij tapicerkę siedziska z przycisków.

42 Wsuń poduszkę siedziska z ramy wózka po obu stronach, zaczynając od dołu.

43 Wsuń od góry poduszkę siedziska z ramy po obu stronach.

44 Zdejmij poduszkę siedziska. W celu ponownego założenia poduszki siedziska na ramę wykonaj opisane czynności w odwrotnej kolejności.

**OSTRZEŻENIE:** Po ponownym założeniu poduszki siedziska sprawdź, czy wszystkie elementy mocujące są prawidłowo zapięte.





# UTRZYMANIE CZYSTOŚCI I KONSERWACJA

Aby wózek długo spełniał swoją funkcję, trzeba regularnie przeprowadzać proste czynności konserwacyjne. Od czasu do czasu sprawdzaj, czy połączenia i części, które się zginają lub składają, są nadal w dobrym stanie. Jeśli jakiś element skrzypi albo porusza się z trudem, możesz zabrać wózek do lokalnego warsztatu rowerowego, aby go dodatkowo nasmarować. Wszystkie naprawy należy zlecać wyłącznie autoryzowanym przedstawicielom producenta.

## PRANIE

### Tapicerka siedziska

- Tapicerkę siedziska wózka można prać ręcznie w niskiej temperaturze i przy użyciu łagodnego detergentu.
- Przed praniem wyjmij z siedziska metalową ramę i płyty z polietylenu.
- Nie używaj rozcieńczalników, sody ani szorstkich materiałów czyszczących.
- Aby zminimalizować ryzyko skurczenia się tapicerki, zamocuj siedzisko na ramie do wysuszenia.
- Tapicerki nie wolno prasować, czyścić chemicznie, suszyć w suszarce bębnowej ani wykręcać.
- Jeśli osłonę siedziska trzeba wymienić, używaj tylko części kupionych u autoryzowanego przedstawiciela firmy Baby Jogger. Tylko takie części zostały przetestowane pod kątem bezpieczeństwa i zaprojektowane tak, aby pasowały do danego siedziska.

### Części plastikowe i metalowe

- Wytrzyj je do czysta, używając łagodnego detergentu i ciepłej wody.
- Nie wolno zdejmować, demontować ani modyfikować żadnej części hamulców ani mechanizmu składania siedziska.

### Konserwacja kółek

- Kółka można czyścić wilgotną ściereczką. Potem wysusz je dokładnie miękkim ręcznikiem lub szmatką.

### PRECHOWYWANIE

- Światło słoneczne może powodować blaknięcie tapicerki i wysuszać opony. Wózek będzie więc dłużej wyglądał estetycznie, jeśli będzie przechowywany w pomieszczeniu.
- **NIE NALEŻY** przechowywać wózka na dworze.
- Zanim schowasz wózek na dłuższy czas, upewnij się, że jest suchy.
- Zawsze przechowuj wózek w suchym miejscu.
- Gdy wózek nie jest używany, schowaj go w bezpiecznym miejscu (nieдоступnym dla dzieci).
- **NIE WOLNO** kłaść na górze wózka ciężkich przedmiotów.
- **NIE WOLNO** przechowywać wózka w pobliżu bezpośredniego źródła ciepła, np. grzejnika lub ognia.

## Ograniczona gwarancja dożywnotnia firmy Baby Jogger:

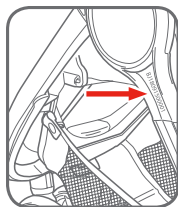
Firma Baby Jogger gwarantuje, że rama wózka będzie wolna od wad produkcyjnych przez cały okres jego eksploatacji. Wady produkcyjne obejmują m.in. pęknięcia spoin i uszkodzenia rur ramy. Gwarancja na materiały tekstylne i miękkie wypełnienie oraz wszystkie inne elementy obowiązuje przez jeden rok od daty zakupu (wyjątkiem są dętki i opony). Do wystąpienia z roszczeniem gwarancyjnym wymagany jest dowód zakupu, a gwarancja obejmuje wyłącznie oryginalnego nabywcę wózka.

### GWARANCJA NIE OBEJMUJE:

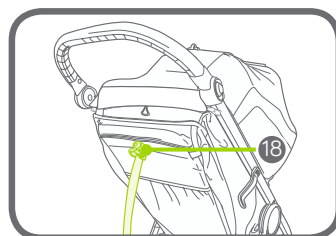
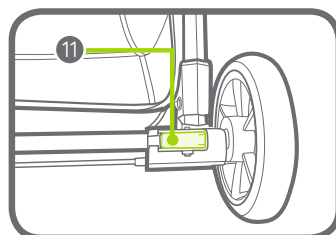
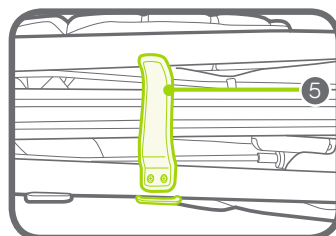
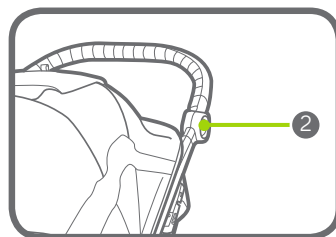
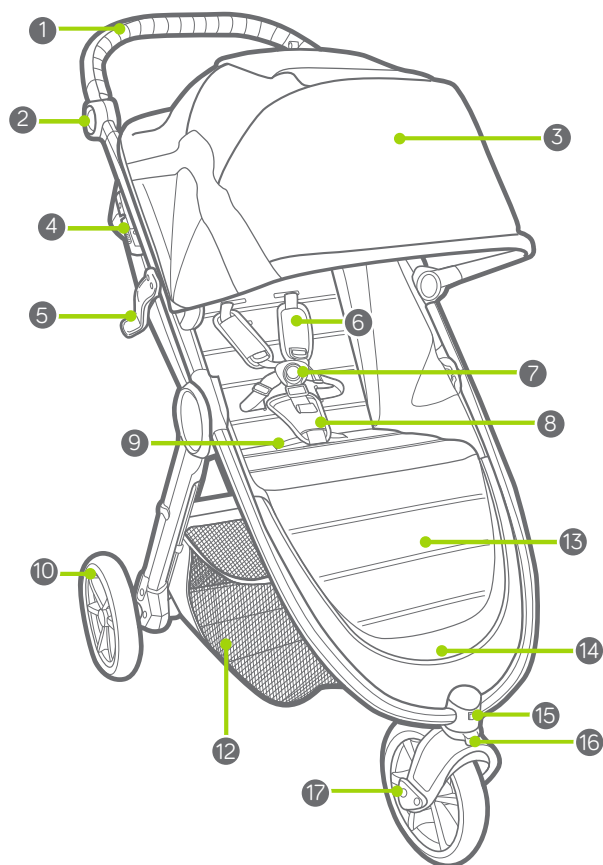
- zwykłego zużycia;
- korozji ani rdzy;
- nieprawidłowego montażu ani mocowania niepasujących do oryginalnej konstrukcji części lub akcesoriów firm zewnętrznych;
- uszkodzeń powstałych celowo lub w skutek wypadku, nadużycia lub zaniedbania, a także używania wózka na schodach lub schodach ruchomych;
- użytkowania wózka w celach komercyjnych;
- nieprawidłowego przechowywania wózka i jego nieprawidłowej konserwacji.

Z zakresu gwarancji wyraźnie wyłącza się roszczenia dotyczące strat pośrednich, wypadkowych lub wynikowych. Dorozumiana gwarancja użyteczności handlowej lub przydatności do określonego celu jest udzielana na okres gwarancji zdefiniowany dla danego modelu w momencie jego zakupu. W niektórych stanach USA włączenie lub ograniczenie odpowiedzialności za szkody wypadkowe lub wynikowe jest niedozwolone, powyższe ograniczenia lub wyłączenia mogą więc nie dotyczyć konkretnie Ciebie. Niniejsza gwarancja daje Ci określone prawa; mogą Ci przysługiwać także inne prawa, różniące się między poszczególnymi stanami USA. Aby poznać zakres przysługujących Ci praw, skontaktuj się z lokalnym biurem lub rzecznikiem praw konsumenta albo z biurem prokuratora generalnego w danym stanie USA.

Jeśli wózek zakupiono poza USA, skontaktuj się z dystrybutorem w najbliższym kraju. Dane kontaktowe dystrybutorów można znaleźć na stronie: <http://www.babyjogger.com/retailers/#international>. Roszczenia gwarancyjne zgłoszone poza krajem zakupu produktu mogą wiązać się z koniecznością pokrycia kosztów wysyłki.



UWAGA: Jeśli kontaktujesz się z dystrybutorem firmy Baby Jogger w sprawie związanej ze swoim wózkiem, przygotuj jego numer seryjny. Można go znaleźć tuż poniżej piasty po zewnętrznej stronie tylnej nóżki.



- |   |                                   |    |  |
|---|-----------------------------------|----|--|
| 1 | Pega                              | 10 | Roda traseira                          |
| 2 | Botão de ajuste da pega           | 11 | Botão de desbloqueio da roda traseira  |
| 3 | Capota                            | 12 | Cesto de arrumo                        |
| 4 | Travão de estacionamento          | 13 | Apoio para as pernas                   |
| 5 | Bloqueio automático               | 14 | Zona dos pés                           |
| 6 | Acolchoado do arnês               | 15 | Botão de desbloqueio da roda dianteira |
| 7 | Fivela do arnês                   | 16 | Bloqueio de rotação                    |
| 8 | Acolchoado da separação de pernas | 17 | Roda dianteira                         |
| 9 | Correia para dobrar               | 18 | Correia para reclinar o assento        |

## AVISOS

Importante – Leia cuidadosamente e guarde para referência futura. A segurança do seu bebê pode ser afetada se não seguir estas instruções.

### AVISOS

- Nunca deixe a criança abandonada.
- Utilize o cinto de segurança sempre que o seu filho estiver no assento.
- Não é conveniente utilizar este produto aquando da realização de patinagem ou corrida.
- Verifique se todos os pontos de encaixe estão bem fixos antes de usar o produto.
- Para evitar ferimento assegure-se que o seu filho está afastado, do produto, enquanto o abre e fecha.
- Para evitar lesões, retire o tabuleiro da criança ou o acessório da barra para a barriga quando fechar ou abrir o carrinho.
- Não deixe que o seu filho brinque com este produto.

### INFORMAÇÕES DE SEGURANÇA ADICIONAIS

- Este carrinho transporta apenas um passageiro. NUNCA permita o transporte de mais do que uma criança neste carrinho.
- 
- max 22 kg
- A unidade do assento é adequada para o transporte de uma criança desde o nascimento até aos 22 kg.
  - A carga de peso total recomendada para este carrinho é de 28 kg. 22 kg no assento, 1 kg na bolsa traseira do assento e 4,5 kg no cesto. Peso excessivo pode levar a uma situação de risco e instabilidade.

- Relativamente às cadeirinhas utilizadas em conjunto com um carrinho, esta solução não substitui um berço ou uma cama. Se a criança tiver de dormir, deve colocá-la num carrinho, berço ou cama adequados.
- Qualquer carga presa à pega e/ou parte traseira do apoio das costas e/ou nas partes laterais do veículo irá afetar a estabilidade do mesmo.
- No caso de recém-nascidos, recomendamos que utilize sempre a posição mais reclinada do assento.
- Bloqueie os travões antes de colocar e retirar a criança do carrinho e sempre que este não estiver em movimento.
- Certifique-se de que o travão está corretamente acionado, movendo o carrinho ligeiramente para a frente e para trás.
- Este carrinho não foi concebido para transportar crianças em escadas ou escadas rolantes. Quaisquer danos provocados no carrinho não serão abrangidos pela garantia.
- Não é permitida a utilização de acessórios não aprovados pela Baby Jogger.
- Esteja atento aos automóveis: nunca deve assumir que os condutores estão a vê-lo a si e ao seu filho.
- O passageiro deve permanecer sentado (não pode estar de pé no carrinho).
- Utilize apenas peças de substituição fornecidas ou aprovadas pela Baby Jogger.

## ESTRUTURA

- 1 Desembale a estrutura do carrinho da caixa e coloque as rodas de parte. Desbloqueie o carrinho puxando a alavanca de bloqueio de arrumo.
  - 2 Desdobre o carrinho puxando a pega para longe da estrutura. Então levante a pega afastando-a do assento. O carrinho bloquear-se-á no seu lugar e ouvirá um clique.
  - 3 Coloque o carrinho em posição vertical.
- ⚠️ AVISO:** certifique-se de que os dispositivos de bloqueio estão engatados antes da utilização.

## RODA DIANTEIRA

### 4 Instalação

- Coloque o carrinho virado para cima, com a Pega pousada no chão.
- Coloque a Roda dianteira deslizando-a para o suporte da roda dianteira até fazer um clique. Puxe ligeiramente a Roda dianteira para garantir que está bem encaixada.

### 5 Remoção

- Pressionando o botão de desbloqueio da roda dianteira, deslize suavemente a Roda dianteira para fora do suporte da roda dianteira.

## FUNÇÃO DE ROTAÇÃO

- 6 Pressione o botão de Bloqueio de rotação para baixo e deslize o Bloqueio de rotação para a esquerda para bloquear o conjunto das rodas dianteiras em posição fixa, para um transporte de longa distância.
- 7 Pressione o botão de Bloqueio de rotação para baixo e deslize o Bloqueio de rotação para a direita para permitir a rotação do conjunto das rodas dianteiras.

- ⚠️ AVISO:** Quando colocar e retirar uma criança, bloqueie a roda dianteira em posição fixa. Embora a roda dianteira do seu carrinho fique bloqueada, este não pode ser utilizado para fazer jogging ou outros exercícios.

## RODAS TRASEIRAS

### 8 Instalação

- Alinhe o eixo das rodas traseiras com o suporte das rodas na estrutura do carrinho e introduza-o no suporte das rodas até ficar bloqueado no seu lugar. Ouvirá um clique.
- Puxe ligeiramente a Roda traseira para garantir que está bem encaixada.

### 9 Remoção

- Pressionando para baixo o botão de desbloqueio da roda, deslize suavemente a roda traseira para fora do suporte da roda.

## TRAVÃO

- 10 Para bloquear os travões: puxe suavemente a Alavanca do travão para a posição vertical até encaixar com um clique.
  - 11 Para desbloquear os travões: aperte as patilhas cinzentas e puxe a alavanca para si. Empurre a Alavanca do travão para baixo até ficar paralela com a estrutura.
- ⚠️ AVISO:** Bloqueie os travões antes de colocar e retirar a criança e sempre que o carrinho não estiver em movimento.

## CAPOTA

- 12 Fixe a capota à estrutura deslizando a capota sobre um dos dois suportes de montagem. Para remover, deslize a capota para fora dos suportes.

**NOTA:** Ao utilizar uma cadeirinha para automóvel City Go/Graco ou Britax, a capota deve estar na posição superior. Para todas as outras cadeirinhas para automóvel, a capota deve ser removida.

- 13 Fixe os dois sistemas de fixação à estrutura do carrinho.
- 14 Feche o fecho da parte traseira do assento ao topo da capota. Fixe as 2 tiras de fixação do lado da capota.

- 15 Puxe para a frente para abrir a capota e empurre para trás para fechar a capota.
- 16 Existem duas janelas na capota, uma na parte superior e uma na parte traseira. Para os utilizar, enrole a sombrinha em direção à parte superior e fixe-a com o elástico e botão.


### PEGA


- 17 Para mudar a pega para uma das 6 posições de utilização, pressione os botões de desbloqueio da pega de ambos os lados e rode para cima ou para baixo para a nova posição.

### AJUSTAR O ARNÊS DE SEGURANÇA

- 18 A partir da traseira do assento, desaperte e abra a bolsa para localizar o retentor quadrangular de plástico. Rode o retentor e passe através das aberturas da placa em PE e do tecido do assento.

- 19 Introduza novamente o retentor na abertura do assento o mais próximo possível dos ombros da criança. Volte a fazer passar pelo tecido do assento e placa em PE. Puxe a tira para assegurar que o retentor está bloqueado. Repita de ambos os lados.

 **AVISO:** Evite ferimentos graves resultantes de uma queda ou deslizamento para fora. Ajuste sempre bem e aperte o arnês de segurança.

 **AVISO:** Utilize sempre o cinto da zona da virilha em combinação com os cintos para ombros e cinto da cintura.

- 20 Faça deslizar o Acolchoado do arnês para cima para aceder à guia de plástico no cinto.
- 21 Segure na guia de plástico e puxe o cinto para apertar ou soltar.

### UTILIZAR O ARNÊS DE SEGURANÇA

- 22 Introduza a fivela do cinto lateral na fivela do arnês de ambos os lados.


- 23 Introduza o arnês conectado e as fivelas do cinto lateral nos lados da fivela da zona da virilha.

- 24 Pressione o botão da fivela da zona da virilha para soltar.

### RECLINAR O ASSENTO

- 25 Aperte o fixador atrás do assento e deslize-o para baixo até à reclinación desejada.

- 26 Puxe o assento para baixo de ambos os lados para corresponder à posição do fixador. Inverta os passos para regressar à posição vertical.

 **AVISO:** Ao realizar ajustes ao assento do carrinho, assegure-se de que a cabeça, braços e pernas da criança se encontram afastados das partes móveis do assento e da estrutura do carrinho.

- 27 Para ventilação extra, enrole a aba traseira do assento e fixe-a com elástico e botão.

### APOIO PARA AS PERNAS


- 28 Para utilizar o apoio para as pernas, levante a parte da frente do acolchoado do assento.

- 29 Rode o braço de suporte para fora e baixe o acolchoado do assento. Bloqueie o braço de suporte.

- 30 Para baixar o apoio para as pernas, inverta os passos.

### DOBRAR

- Retire a criança do assento.
- Solte os bloqueios de rotação da roda dianteira.
- Remova todas as fixações e todos os itens do cesto.

 **AVISO:** Para evitar lesões, retire o tabuleiro da criança ou o acessório da barra para a barriga quando fechar ou abrir o carrinho.

- 31 Pressione os botões de ambos os lados da estrutura. Rode a alavanca para cima.


- 32 Insira o indicador no pequeno laço, puxe para cima a tira de dobragem "Puxe para dobrar" e deixe a estrutura dobrar-se.
- 33 Certifique-se de que a alavanca de bloqueio de arrumo faz um clique.
- 34 Coloque o carrinho na vertical de cabeça para cima.

### REMOÇÃO DO CESTO

- 35 A partir da parte da frente do carrinho, desaperte os 2 sistemas de fixação e puxe as correias para fora do espaço para os pés.
- 36 Eleve o cesto do gancho.
- 37 A partir da traseira, eleve a parte superior do cesto da patilha em ambos os lados da estrutura.
- 38 Remova as correias do fixador C em ambos os lados da estrutura.

### REMOVER O ACOLCHOADO DO ASSENTO

- 39 Vire o carrinho ao contrário de modo a expor a parte inferior do assento.
  - A Desaperte as 2 tiras de fixação e puxe-as para fora da estrutura do carrinho.
  - B Desaperte a tira de fixação e puxe-a para fora das laterais da estrutura do carrinho.
  - C Desaperte o gancho triangular da direita e puxe a correia para fora do assento.
- 40 Volte a colocar o carrinho apoiado nas rodas. Puxe o tecido do assento para cima e retire-o dos botões.
- 41 Começando a partir da parte inferior, deslize o acolchoado do assento para fora da estrutura do carrinho em ambos os lados.
- 42 A partir da parte superior, deslize o acolchoado do assento para fora da estrutura do carrinho em ambos os lados.
- 43 Remova o acolchoado do assento. Inverta os passos para voltar a colocar o acolchoado do assento na estrutura.

 **AVISO:** Certifique-se de que todos os fechos estão corretamente fechados ao repor o acolchoado do assento.

# CUIDADOS E MANUTENÇÃO

Para assegurar a longevidade do seu carrinho, é importante realizar alguma manutenção simples e regular. De tempos a tempos, certifique-se de que as juntas e áreas de dobragem ainda estão em boas condições. Se ouvir um ruído de chiar ou sentir resistência, lubrifique o carrinho numa oficina local de bicicletas. Todas as reparações apenas devem ser realizadas por um concessionário autorizado.

## LAVAGEM

### Tecido do assento

- Pode lavar o assento do carrinho com água fria e um detergente suave.
- Certifique-se de que remove a estrutura de metal e as placas em PE do assento antes de lavar.
- Não utilize solventes nem materiais cáusticos ou abrasivos.
- Para evitar um encolhimento, basta colocar o assento na estrutura para secar.
- Não passe a ferro nem lave a seco, não seque em máquina nem torça o tecido.
- Se as coberturas do assento tiverem de ser substituídas, utilize apenas peças de um Concessionário Autorizado da Baby Jogger. São as únicas testadas a nível de segurança e concebidas para se ajustarem a este assento.

### Peças em plástico/metal

- Limpe com sabão suave e água morna.
- Não pode remover, desmontar nem alterar qualquer peça do mecanismo de dobragem do assento ou travões.

### Conservação das rodas

- As rodas podem ser limpas com um pano húmido. Têm de ser totalmente secas com uma toalha ou pano macio.

## ARMAZENAMENTO

- A luz solar pode desbotar o tecido do assento e secar os pneus, por isso, deve armazenar o carrinho num espaço interior para manter o seu bom aspeto.
- **NÃO** armazene o carrinho num espaço exterior.
- Assegure que o carrinho está seco antes de o guardar durante períodos prolongados.
- Guarde sempre o carrinho em ambientes secos.
- Guarde o carrinho num local seguro quando não estiver a ser utilizado (ou seja, onde as crianças não possam brincar com o carrinho).
- **NÃO** coloque objetos pesados em cima do carrinho.
- **NÃO** guarde o carrinho próximo de uma fonte de calor direto, como um radiador ou fogueira.



# Garantia de Vida Útil Limitada da Baby Jogger

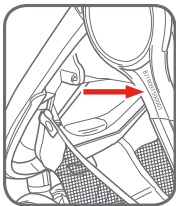
A Baby Jogger garante que a estrutura não apresenta defeitos de fabrico durante a vida útil do produto. Os defeitos do fabricante incluem, não exclusivamente, a rutura das soldas e danos no tubo da estrutura. Os materiais laterais têxteis e macios e todos os outros componentes terão a garantia de um ano a partir da data de compra (exceto os tubos e pneus). É necessária a prova de compra para uma reclamação de garantia e a garantia apenas se aplica ao comprador original.

## ESTA GARANTIA NÃO COBRE:

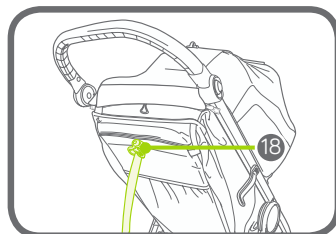
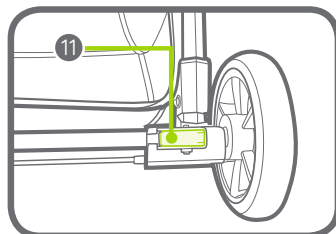
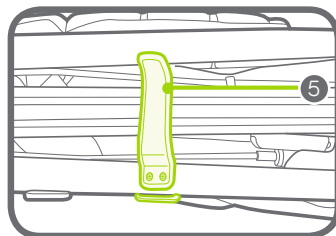
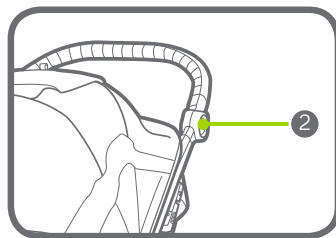
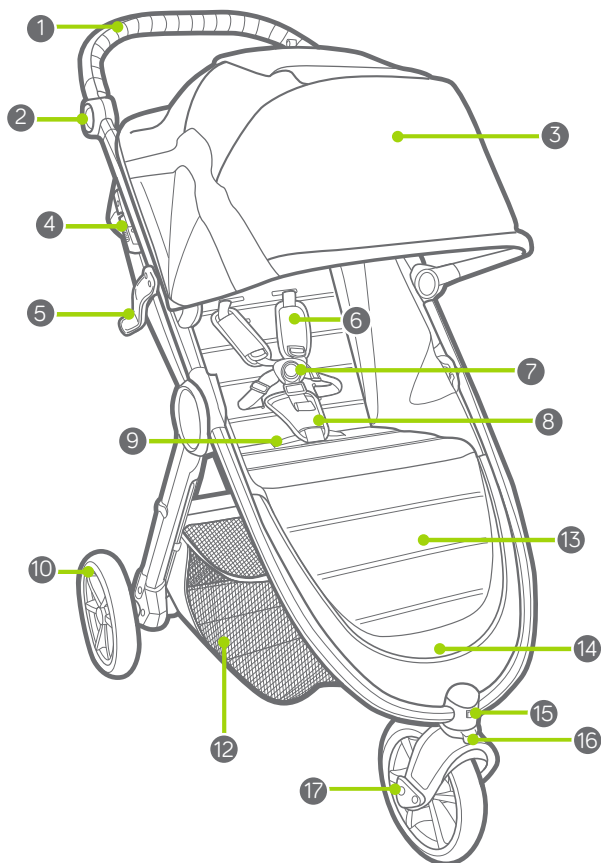
- O desgaste normal
- Corrosão e ferrugem
- Uma montagem incorreta ou a instalação de peças ou acessórios de terceiros incompatíveis com a conceção original
- Danos acidentais ou intencionais, abuso ou negligência ou utilização em escadas normais ou rolantes.
- Utilização comercial
- Armazenamento/conservação incorreta da unidade

Esta garantia exclui especificamente reclamações por danos indiretos, incidentais ou consequenciais. As garantias implicadas de comerciabilidade e adequação a uma finalidade específica aplicam-se ao período de garantia específico para esta unidade de modelo no momento de compra. Alguns países não permitem a exclusão ou limitação de danos incidentais ou consequenciais, por isso, as limitações ou exclusões acima indicadas podem não se aplicar ao seu caso. Esta garantia dá-lhe direitos legais específicos e outros países podem conceder-lhe outros direitos. Para saber quais são os seus direitos legais no seu país, consulte a sua agência de direitos do consumidor local ou nacional ou o seu Procurador Geral.

Se o seu carrinho tiver sido comprado fora dos EUA, contacte o distribuidor do país mais próximo. Pode obter as suas informações de contacto no nosso website em <http://www.babyjogger.com/retailers/#international>. Reclamações de garantia fora do país em que foi efetuada a compra do produto podem implicar taxas de envio.



NOTA: Quando contactar o distribuidor da Baby Jogger relativamente ao seu carrinho, indique prontamente o número de série do seu carrinho. Este encontra-se logo abaixo do cubo na parte exterior da perna traseira.



- |   |   |    |                                      |
|---|---|----|--------------------------------------|
| 1 | Mâner                                     | 10 | Roata din spate                      |
| 2 | Buton de pliere a mânerului               | 11 | Buton de deblocare a roții din spate |
| 3 | Copertină                                 | 12 | Coș de depozitare                    |
| 4 | Frână de parcare                          | 13 | Suport pentru picioare               |
| 5 | Blocare automată                          | 14 | Suport pentru picioare               |
| 6 | Pernițele hamului                         | 15 | Buton de deblocare a roții din față  |
| 7 | Închizătorul hamului                      | 16 | Dispozitiv pivotant/de blocare       |
| 8 | Pernița pentru cureaua centurii bifurcate | 17 | Roata din față                       |
| 9 | Cureaua de pliere                         | 18 | Curea de înclinare a scaunului       |

## AVERTISMENTE

Important – citiți cu atenție și păstrați acest document pentru consultare ulterioară. Siguranța copilului dvs. poate fi pusă în pericol dacă nu respectați aceste instrucțiuni.

### AVERTISMENTE

- Nu lăsați niciodată copilul nesupravegheat.
- Utilizați întotdeauna sistemul de prindere.
- Acest produs nu este recomandat a fi utilizat în timp ce alergați sau vă plimbați pe role.
- Asigurați-vă că toate dispozitivele de blocare sunt închise înainte de a utiliza produsul.
- Pentru a evita rănirea copilului, asigurați-vă că acesta este la distanță atunci când pliați și depliați acest produs.
- Pentru a preveni accidentarea, scoateți tava copilului sau accesoriul bară de siguranță mediană atunci când pliați sau depliați căruciorul.
- Nu lăsați copilul să se joace cu acest produs.

### INFORMAȚII SUPLIMENTARE DE SIGURANȚĂ

- Acest cărucior este conceput pentru un singur copil. Nu utilizați NICIODATĂ acest cărucior pentru mai mult de un copil în același timp.



max 22 kg

- Pentru scaunele de mașină utilizate împreună cu un cadru, acest vehicul nu înlocuiește patul sau pătuțul. Dacă copilul dvs. are nevoie să doarmă, trebuie să-l puneți într-un coș de landou, pat sau pătuț adecvat.
  - Orice greutate agățată de mâner și/sau de spatele spătarului și/sau de laturile dispozitivului va afecta stabilitatea dispozitivului.
  - Pentru nou-născuți, recomandăm să folosiți întotdeauna cea mai înclinată poziție a scaunului.
  - Blocați frânele înainte de a pune și a scoate copilul din cărucior și ori de câte ori căruciorul nu se află în mișcare.
  - Asigurați-vă că frâna este cuplată corespunzător împingând căruciorul încet înainte și înapoi.
  - Căruciorul nu este destinat a fi utilizat pentru transportarea copiilor pe scări fixe sau rulante. Deteriorările aduse căruciorului nu vor fi acoperite de garanție.
  - Accesoriile care nu sunt aprobate de Baby Jogger nu trebuie utilizate.
  - Atenție la mașini – nu presupuneți niciodată că șoferul vă poate vedea pe dvs. și pe copilul dvs.
  - Copilul trebuie să rămână așezat (nu în picioare) în cărucior.
  - Utilizați numai piese de schimb furnizate sau omologate de Baby Jogger.
- Scaunul este adecvat pentru un copil de la naștere până la greutatea de 22 kg.
  - Sarcina maximă totală recomandată pentru acest cărucior este de 28 kg. 22 kg pe scaun, 1 kg în buzunarul din spate al scaunului și 4,5 kg în coș. O greutate excesivă poate duce la apariția unei instabilități periculoase.

## CADRUL

- 1 Scoateți cadrul căruciorului din cutie și puneți roțile deoparte.  
Deblocați căruciorul trăgând de maneta de blocare pentru depozitare.
  - 2 Depliați căruciorul trăgând mânerul și îndepărtându-l de cadru. Apoi ridicați mânerul îndepărtându-l de scaun. Căruciorul se va fixa în poziție și se va auzi un clic.
  3. Așezați căruciorul în poziție verticală.
- ▲ AVERTISMENT:** Înainte de utilizare, asigurați-vă că toate dispozitivele de blocare sunt activate.

## ROATA DIN FAȚĂ

- 4 Instalare
  - Așezați căruciorul pe spate astfel încât mânerul să se sprijine pe podea.
  - Atașați roata din față glisând-o în suportul de fixare a roții din față până când auziți un clic. Trageți ușor de roată pentru a vă asigura că aceasta este atașată corespunzător.
- 5 Demontare
  - Țineți apăsat pe butonul de deblocare a roții din față și glisați ușor roata din față pentru a o scoate din suportul de fixare.

## FUNCȚIA DE PIVOTARE

- 6 Apăsați pe butonul de blocare a dispozitivului pivotant și glisați dispozitivul pivotant la stânga pentru a bloca ansamblul roții din față în poziție fixă pentru deplasarea pe distanțe lungi.
  - 7 Apăsați pe butonul de blocare a dispozitivului pivotant și glisați blocarea dispozitivului pivotant la dreapta pentru a permite ansamblului roții din față să piveze.
- ▲ AVERTISMENT:** Când așezați sau scoateți copilul din cărucior, blocați roata din față în poziție fixă. Deși roata din față se fixează pe poziție, căruciorul nu este destinat a fi utilizat pentru jogging sau exerciții fizice.

## ROȚILE DIN SPATE

- 8 Instalare
  - Aliniați axul roții din spate la suportul de fixare a roților amplasat pe cadrul căruciorului și introduceți-l în suportul de fixare până când se fixează în poziție. Se va auzi un clic.
  - Trageți ușor de roata din spate pentru a vă asigura că aceasta este atașată corespunzător.
- 9 Demontare
  - În timp ce țineți apăsat butonul de deblocare a roții, trageți ușor de roata din spate pentru a o scoate din suportul de fixare.

## FRÂNA

- 10 Pentru a bloca frânele: trageți ușor maneta de frână în poziție verticală până când se fixează pe poziție cu un clic.
  - 11 TPentru a debloca frânele: prindeți clapetele gri și trageți de manetă înspre dvs. Apăsați pe maneta de frână până când ajunge într-o poziție paralelă cu cadrul.
- ▲ AVERTISMENT:** Blocați frânele înainte de a pune și a scoate copilul din cărucior și ori de câte ori căruciorul nu se află în mișcare.

## COPERTINA

- 12 Atașați coopertina la cadru glisând copertina pe unul dintre cele două suporturi de fixare. Pentru a o scoate, glisați copertina de pe suporturi.
- NOTĂ: Atunci când folosiți un scaun de mașină City Go/Graco sau Britax, copertina trebuie să fie în poziția de sus. Pentru toate celelalte scaune de mașină, copertina trebuie scoasă.
- 13 Prindeți cele două capse de cadrul căruciorului.
  - 14 Atașați spătarul scaunului de partea de sus a copertinei trăgând fermoarul. Atașați cele 2 benzi de prindere de pe latura copertinei.

- 15 Trageți copertina în față pentru a o deschide și împingeți-o în spate pentru a o închide.
- 16 Există două ferestre ale copertinei, una deasupra și una în spate. Pentru a le folosi, rulați storul în sus, prindeți-l cu elastic și încheiați nasturele.

### MÂNER

- 17 Pentru a muta mânerul pe una din cele 6 poziții de utilizare, apăsați pe butoanele de deblocare a mânerului de ambele laturi și rotiți-le în sus sau în jos, în noua poziție.

### REGLAREA HAMULUI DE SIGURANȚĂ

- 18 De pe spătarul scaunului, desfaceți și deschideți buzunarul în care se află opritorul de plastic pătrat. Răsuciți-l și treceți-l prin fantele amplasate pe placa de polietilenă și pe husa scaunului.
- 19 Introduceți din nou opritorul prin fanta scaunului care se află cel mai aproape de umerii copilului. Treceți-l înapoi prin husa scaunului și prin placa de polietilenă. Trageți de curea ca să vă asigurați că opritorul este blocat. Repetați această procedură pe ambele laturi.

**⚠️ AVERTISMENT:** Evitați rănirea gravă provocată de căderea sau alunecarea din cărucior. Reglați și prindeți întotdeauna în mod corespunzător hamul de siguranță.

**⚠️ AVERTISMENT:** Utilizați întotdeauna cureaua închizătorului bifurcat în combinație cu curelele de umăr și centura de siguranță de mijloc.

- 20 Glisați pernțele hamului în sus pentru a accesa ghidajul de plastic amplasat pe curea.
- 21 Țineți ghidajul de plastic și trageți de curea pentru a o strânge sau pentru a o slăbi.

### UTILIZAREA HAMULUI DE SIGURANȚĂ

- 22 Introduceți închizătorul curelei laterale în închizătorul hamului pe ambele

laturi.

- 23 Introduceți hamul conectat și închizătoarele curelelor laterale în părțile laterale ale închizătorului bifurcat.
- 24 Apăsați pe butonul închizătorului bifurcat pentru a-l debloca.

### ÎNCLINAREA SCAUNULUI

- 25 Prindeți clema din spatele scaunului și trageți de ea în jos în funcție de înclinarea dorită.
- 26 Trageți în jos scaunul din ambele părți astfel încât să corespundă poziției clemei. Inversați pașii pentru a reveni la poziția verticală.

**⚠️ AVERTISMENT:** Atunci când reglați scaunul căruciorului, asigurați-vă că brațele, capul și picioarele copilului nu stau în calea componentelor mobile ale scaunului și cadrului căruciorului.

- 27 Pentru aerisire suplimentară, rulați clapeta de pe spătarul scaunului, prindeți-o cu elastic și închiați nasturele.

### SUPORT PENTRU PICIOARE

- 28 Pentru a folosi suportul pentru picioare, ridicați partea din față a perniței scaunului.
- 29 Rotiți brațul suportului în afară și coborâți pernița scaunului. Blocați brațul suportului.
- 30 Pentru a coborî suportul pentru picioare, urmați pașii în ordine inversă.

### PLIEREA

- Scoateți copilul din scaun.
- Decupați butonul de blocare al dispozitivului de pivotare al roții din față.
- Goliți coșul de orice obiecte și accesorii.

**⚠️ AVERTISMENT:** Pentru a preveni accidentarea, scoateți tava copilului sau accesoriul bară de siguranță mediană atunci când pliați sau depiați căruciorul.

- 31 Apăsați butoanele de pe ambele laturi ale cadrului.

Rotiți mânerul în sus.

- 32 Introduceți degetul arătător în bucla mică, trageți în sus de mânerul de pliere „Trageți pentru pliere” și lăsați cadrul să coboare.
- 33 Asigurați-vă că maneta de blocare automată se fixează în poziție cu un clic.
- 34 Așezați căruciorul în poziție verticală.


### **DEMONTAREA COȘULUI**

- 35 Din partea din față a căruciorului, desfaceți cele două capse și trageți curelele din locașul pentru picioare.
- 36 Ridicați coșul și desprindeți-l din cârlig.
- 37 Din spate, ridicați partea de sus a coșului și desprindeți-o de clapetă pe ambele laturi ale cadrului.
- 38 Scoateți cureaua de pe clema C pe ambele laturi ale cadrului.

### **SCOATEREA PERNIȚEI SCAUNULUI**

- 39 Întoarceți căruciorul invers pentru a vizualiza partea de jos a scaunului.
  - A Desprindeți cele două benzi de prindere și scoateți-le din cadrul căruciorului.
  - B Desprindeți benzile de prindere și scoateți-le din părțile laterale ale cadrului căruciorului.
  - C Deșurubați cârligul cu carabinieră din dreapta și scoateți cureaua din pernița scaunului.
- 40 Întoarceți scaunul invers peste roțile sale. Trageți husa scaunului în sus și desprindeți-o de pe nasturi.
- 41 Începând de jos, scoateți pernița scaunului prin glisare de pe cadrul căruciorului pe ambele laturi.
- 42 Începând de sus, scoateți pernița scaunului prin glisare de pe cadru pe ambele laturi.
- 43 Scoateți pernița scaunului. Urmați pașii în ordine inversă pentru a reatașa pernița pe cadru.

**AVERTISMENT:** Asigurați-vă că toate benzile de prindere sunt bine închise

 când prindeți la loc pernița scaunului.

# ÎNGRIJIREA ȘI ÎNTREȚINEREA

Pentru a menține durata de viață a căruciorului dvs., este important să asigurați întreținerea simplă și regulată a acestuia. Asigurați-vă din când în când că îmbinările și zonele de pliere sunt încă în stare bună. Dacă auziți scârțâituri sau simțiți tensiune, puteți duce căruciorul la un atelier local de reparații pentru biciclete pentru a fi lubrifiat. Toate reparațiile vor fi efectuate exclusiv de un reprezentant autorizat.

## SPĂLAREA

### Husa scaunului

- Puteți spăla scaunul căruciorului de mână, utilizând apă rece și un detergent delicat.
- Asigurați-vă că ați demontat cadrul de metal și plăcile de polietilenă de pe scaun înainte de a-l spăla.
- Nu utilizați solvenți sau materiale de curățare caustice sau abrazive.
- Pentru a minimiza posibilitatea strâmtării, reatașați scaunul pe cadru pentru a se usca.
- Nu călcați la presă sau cu fierul de călcat, nu curățați chimic, nu uscați prin centrifugare și nu stoarceți husa.
- Dacă husele scaunului trebuie înlocuite, folosiți numai piese de schimb achiziționate de la un reprezentant autorizat Baby Jogger. Acestea sunt singurele care prezintă garanția că au fost testate în ceea ce privește siguranța și că au fost concepute pentru a se potrivi cu scaunul.

### Piese din plastic/metal

- Ștergeți cu o cârpă folosind un săpun delicat și apă caldă.
- Nu trebuie să scoateți, să demontați sau să modificați nicio piesă a mecanismului de pliere a scaunului sau a frânelor.

## Îngrijirea roților

- Roțile pot fi curățate folosind o cârpă umedă. Acestea trebuie uscate complet folosind un prosop sau o cârpă moale.

## DEPOZITAREA

- Expunerea la soare poate decolora husa scaunului și poate usca roțile, prin urmare, depozitarea căruciorului în interior va prelungi aspectul acestuia.
- NU depozitați căruciorul în exterior.
- Înainte de depozitarea căruciorului pe perioade lungi de timp, asigurați-vă că acesta este uscat.
- Depozitați întotdeauna căruciorul într-un mediu uscat.
- Atunci când nu utilizați căruciorul, depozitați-l într-un loc sigur (în care copiii nu se pot juca cu el).
- NU așezați obiecte grele pe cărucior.
- NU depozitați căruciorul lângă o sursă directă de căldură, precum un radiator sau foc deschis.

## Garanția pe viață limitată oferită de Baby Jogger

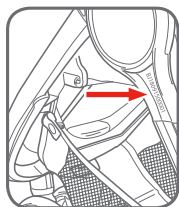
Baby Jogger garantează faptul că nu există defecte de fabricație ale cadrului pe durata de viață a produsului. Defectele de fabricație includ, dar fără a se limita la, ruperea sudurilor și deteriorarea tuburilor cadrului. Pentru materialele moi sau textile și pentru toate celelalte componente se acordă o garanție de un an de la data achiziționării (cu excepția tuburilor și a pneurilor). Bonul de achiziție este necesar pentru a depune o cerere de garanție, garanția fiind oferită numai pentru cumpărătorul inițial.

### ACEASTĂ GARANȚIE NU ACOPERĂ:

- Nivelul normal de uzură
- Coroziunea sau rugina
- Asamblarea incorectă sau instalarea de piese sau accesorii achiziționate de la terți, care nu sunt compatibile cu modelul original
- Deteriorările accidentale sau intenționate, abuzul sau neglijența sau utilizarea produsului pe scări fixe sau mobile.
- Utilizarea comercială
- Depozitarea/Îngrijirea necorespunzătoare a căruciorului

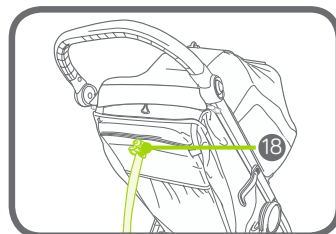
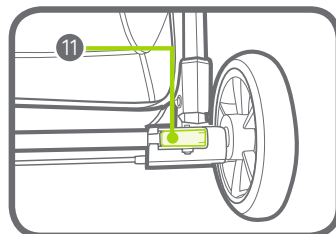
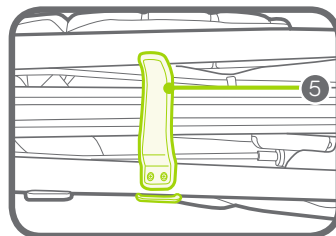
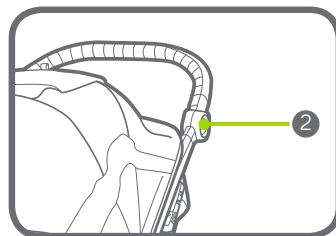
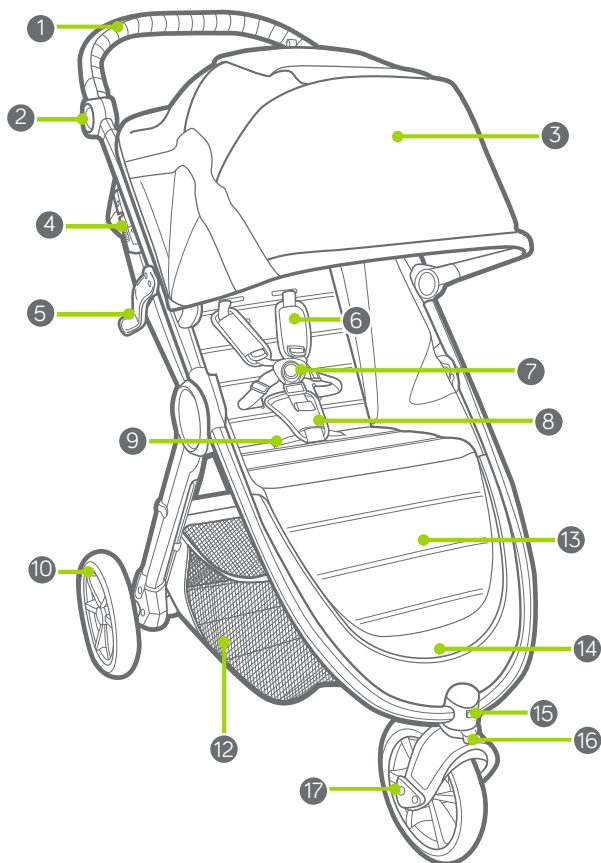
Prezenta garanție exclude în mod expres cererile de daune indirecte, incidentale sau conexe. Garanțiile implicite privind vandabilitatea și adecvarea pentru un anumit scop se acordă în funcție de perioada de garanție specifică pentru acest model la data achiziției. Unele state nu permit excluderea sau limitarea daunelor incidentale sau conexe, astfel încât este posibil ca limitările sau excluderile de mai sus să nu se aplice în cazul dvs. Prezenta garanție vă oferă drepturi legale specifice și puteți beneficia și de alte drepturi care diferă de la stat la stat. Pentru a vă cunoaște drepturile legale în statul dvs., adresați-vă oficiului local sau de stat pentru protecția consumatorilor sau biroului Procurorului General al statului dvs.

Dacă ați achiziționat căruciorul din afara Statelor Unite, vă rugăm să contactați distribuitorul din țara cea mai apropiată de dvs. Informațiile de contact pot fi găsite pe site-ul nostru web la adresa <http://www.babyjogger.com/retailers/#international>. Cererile de garanție din afara țării în care produsul a fost achiziționat pot include unele cheltuieli de transport.



**NOTĂ:** Atunci când contactați distribuitorul Baby Jogger în legătură cu căruciorul dvs., vă rugăm să aveți la îndemână numărul de serie al căruciorului. Se poate găsi chiar sub butuc, pe partea exterioară a piciorului din spate.





- |                                 |  |
|---------------------------------|--|
| 1 Ручка                         | 10 Заднее колесо                         |
| 2 Кнопка складывания ручки      | 11 Кнопка разблокировки заднего колеса   |
| 3 Балдахин                      | 12 Корзина для покупок                   |
| 4 Стояночный тормоз             | 13 Подставка для ног                     |
| 5 Автоматического фиксатора     | 14 Ниша для ног                          |
| 6 Подкладки ремней безопасности | 15 Кнопка разблокировки переднего колеса |
| 7 Пряжка ремней безопасности    | 16 Фиксатор поворота                     |
| 8 Подкладка для пахового ремня  | 17 Переднее колесо                       |
| 9 Ремень для складывания        | 18 Ремень откидывания спинки             |

## ВНИМАНИЕ

**ВАЖНО** - Внимательно ознакомьтесь с инструкциями и сохраните их для справки в будущем.

Нарушение данных инструкций может сказаться на безопасности вашего ребенка.

### ВНИМАНИЕ

- Никогда не оставляйте ребенка без присмотра.
- Всегда используйте систему ограничения подвижности.
- Это изделие не предназначено для использования во время бега или катания на коньках.
- Перед использованием убедитесь, что все блокирующие устройства задействованы.
- Чтобы не допустить травм, складывайте и раскладываете изделие на безопасном расстоянии от ребенка.
- Во избежание травм, снимайте дополнительные принадлежности – лоток для ребенка или поручень – при складывании или раскладывании коляски.
- Не позволяйте ребенку играть с этим изделием.

### ДОПОЛНИТЕЛЬНАЯ ИНФОРМАЦИЯ ДЛЯ ОБЕСПЕЧЕНИЯ БЕЗОПАСНОСТИ

- Сиденье данной прогулочной коляски рассчитано на одного ребенка. НИКОГДА не допускайте, чтобы в такой коляске одновременно находилось больше одного ребенка.



max 22 kg

- Данное сиденье предназначено для одного ребенка от младенческого возраста до ребенка весом 22 кг.
- Общая весовая нагрузка, рекомендуемая для такой коляски – 28 кг. 22 кг — на сиденье, 1 кг — на карман с обратной стороны сиденья и 4,5 кг — на корзинку. Чрезмерный вес может привести к опасной неустойчивости изделия.

- Для колясок, которые устанавливаются на шасси, это автомобильное сидение не может служить в качестве койки или кровати. Если вашему ребенку пора спать, уложите его в подходящую детскую коляску, койку или кровать.
- Любая нагрузка на ручку и/или заднюю часть спинки и/или краев коляски влияет на устойчивость коляски.
- Для новорожденных рекомендуется всегда использовать максимальный наклон сиденья.
- Задействуйте тормоз, прежде чем усадить или вынуть ребенка из коляски, а также тогда, когда коляска стоит на месте.
- Чтобы проверить, правильно ли установлен тормоз, слегка подвигайте коляской взад-вперед.
- Прогулочная коляска не предназначена для транспортировки детей вверх или вниз по лестницам или эскалаторам. Повреждение коляски в результате таких действий не покрывается гарантией.
- Не следует использовать дополнительные принадлежности, не утвержденные компанией Baby Jogger.
- Следите за ситуацией на дороге — никогда не рассчитывайте на то, что водитель обязательно увидит вас и вашего ребенка.
- Ребенок должен оставаться в сидячем положении (не стоять в коляске).
- Пользуйтесь только запчастями, которые поставляются или рекомендуются компанией Baby Jogger.

## РАМА

- 1 Извлеките раму прогулочной коляски из упаковки и отложите на время колеса. Разблокируйте прогулочную коляску, потянув рычаг фиксатора для хранения.
- 2 Разверните коляску, потянув ручку в сторону от рамы. Затем поднимите ручку вверх в сторону от сиденья. Прогулочная коляска войдет в нужное положение; вы услышите щелчок.
- 3 Поставьте коляску вертикально.

**⚠ ВНИМАНИЕ!** Перед использованием убедитесь, что все блокирующие устройства зацеплены.

## ПЕРЕДНЕЕ КОЛЕСО

### 4 Установка

- Положите прогулочную коляску на заднюю сторону так, чтобы ручка находилась на полу.
- Прикрепите переднее колесо, вставив его в зажим для крепления переднего колеса так, чтобы раздался щелчок. Осторожно потяните переднее колесо, чтобы убедиться в том, что оно надежно прикреплено.

### 5 Снятие

- Нажимая на кнопку разблокирования переднего колеса, аккуратно вытяните переднее колесо из зажима для крепления переднего колеса.

## ПОВОРОТ КОЛЕСА

- 6 Нажмите на кнопку блокирования поворота колеса и перетяните фиксатор поворота влево, чтобы заблокировать сборку переднего колеса в фиксированном положении для прогулок на дальние расстояния.
  - 7 Нажмите кнопку блокирования поворота и перетяните фиксатор поворота вправо для свободного поворота сборки переднего колеса.
- ⚠ ВНИМАНИЕ!** При помещении и извлечении ребенка передние колеса следует блокировать в фиксированном положении. Хотя поворот передних колес прогулочной коляски блокируется, она не рассчитана на пробежки или занятия физическими упражнениями.

## ЗАДНЕЕ КОЛЕСО

### 8 Установка

- Выровняйте ось заднего колеса с зажимом для крепления колеса на раме прогулочной коляски и вставьте так, чтобы колесо приняло правильное положение. Вы услышите щелчок.
- Осторожно потяните заднее колесо, чтобы убедиться в том, что оно надежно прикреплено.

### 9 Снятие

- Нажимая на кнопку разблокирования колеса, аккуратно вытяните заднее колесо из зажима для крепления колеса.

## ТОРМОЗ

### 10 Чтобы заблокировать тормоз:

осторожно переведите рычаг тормоза в вертикальное положение так, чтобы он со щелчком стал на место.

### 11 Чтобы разблокировать тормоз:

прижмите серые выступы и потяните рычаг на себя. Толкните и опустите рычаг тормоза так, чтобы он принял положение параллельно раме.

**⚠ ВНИМАНИЕ!** Блокируйте тормоз, прежде чем поместить ребенка или извлечь его, а также, когда прогулочная коляска находится без движения.

## БАЛДАХИН

- 12 Прикрепите балдахин к раме, сдвинув его на один из двух зажимов для крепления. Чтобы снять балдахин, сдвиньте его с зажимов.

**ПРИМЕЧАНИЕ:** При использовании детских автомобильных сидений City Go/Graco или Britax балдахин должен находиться в верхнем положении. Для всех других автомобильных сидений балдахин должен быть снят.

- 13 Пристегните две защелки к раме коляски.

- 14 Пристегните молнией заднюю часть сиденья к верхней части балдахина.

Прикрепите 2 крепежные полоски на боковой части балдахина.

- 15 Чтобы открыть балдахин, потяните вперед; чтобы закрыть балдахин, толкните назад.
- 16 У балдахина два окошка – верхнее и заднее. Чтобы пользоваться ими, сверните шторку вверх и закрепите эластиком с кнопкой.

#### РУЧКА

- 17 Чтобы переключить ручку на одну из 6 используемых позиций, нажмите обе кнопки разблокирования ручки и поверните ее вверх или вниз в новое положение.

#### РЕГУЛИРОВАНИЕ РЕМНЕЙ БЕЗОПАСНОСТИ

- 18 С задней стороны сиденья расстегните молнию и откройте кармашек, в котором вы найдете квадратный пластиковый стопор. Поверните стопор и протяните через отверстия в пластиковой панели и ткани сиденья.
  - 19 Снова вставьте стопор в отверстие в сиденье, расположенное ближе всего к плечам ребенка. Протяните назад через отверстия в ткани и пластиковой панели. Дерните ремень, чтобы убедиться в том, что он зафиксирован. Повторите действие с другой стороны.
- ⚠ ВНИМАНИЕ!** Не допускайте серьезных травм в результате падения или выскальзывания ребенка. Всегда надежно регулируйте и затягивайте ремни безопасности.
- ⚠ ВНИМАНИЕ!** Всегда используйте паховый ремень в сочетании с плечевыми ремнями и поясным ремнем.
- 20 Перетяните подкладки ремней безопасности, чтобы найти пластиковую направляющую деталь на ремне.
  - 21 Возьмитесь за пластиковую направляющую деталь и потяните ремень, чтобы затянуть или ослабить.

#### ИСПОЛЬЗОВАНИЕ РЕМНЕЙ БЕЗОПАСНОСТИ

- 22 Вставьте пряжки боковых ремней в пряжку ремней безопасности с обеих сторон.
- 23 Вставьте пряжки совмещенных ремней безопасности и боковых ремней в пряжку пахового ремня с обеих сторон.
- 24 Нажмите кнопку на пряжке пахового ремня, чтобы освободить ремни.

#### ОТКИДЫВАНИЕ СПИНКИ

- 25 Придавите зажим, который находится за сиденьем, и установите спинку сиденья в желаемое положение.
  - 26 Потяните сиденье вниз с обеих сторон, чтобы оно соответствовало положению зажима. Чтобы установить спинку сиденья в вертикальное положение, выполните вышеуказанные шаги в обратном порядке.
- ⚠ ВНИМАНИЕ!** Регулируя положение сиденья прогулочной коляски, следите за тем, чтобы голова, руки и ноги ребенка не попали в движущиеся части и раму коляски.
- 27 Для дополнительной вентиляции сверните заднюю заслонку сиденья вверх и закрепите ее эластиком с кнопкой.

#### ОПОРА ДЛЯ НОГ

- 28 Чтобы использовать опору для ног, поднимите переднюю часть подушки сиденья.
- 29 Отверните опорный рычаг и опустите подушку сиденья. Зафиксируйте опорный рычаг.
- 30 Чтобы опустить опору для ног, выполните вышеуказанные шаги в обратном порядке.

#### СКЛАДЫВАНИЕ

- Уберите ребенка с сиденья.
- Освободите блокировку поворота переднего колеса.
- Извлеките все устройства крепления и все предметы из корзины.

**⚠ ВНИМАНИЕ!** Во избежание травм, снимайте дополнительные принадлежности – лоток для ребенка или поручень – при складывании или раскладывании коляски.

- 31 Нажмите кнопки на обеих сторонах рамы.  
Поверните ручку вверх.
- 32 Вставив указательный палец в маленькую петлю, потяните вверх ручку складывания “Pull to Fold”; рама сложится.
- 33 Убедитесь, что рычаг автоматического фиксатора принял правильное положение; при этом вы услышите щелчок.
- 34 Поместите коляску в вертикальное положение.

### **СНЯТИЕ КОРЗИНЫ**

- 35 С передней части коляски отстегните 2 защелки и вытащите ремни из ниши для ног.
- 36 Поднимите корзину с крючка.
- 37 Сзади снимите верхнюю часть корзинки с ушек по обеим сторонам рамы.
- 38 Извлеките ремень из С-образной скобы по обеим сторонам рамы.

### **СНЯТИЕ ПОДУШКИ СИДЕНЬЯ**

- 39 Переверните коляску, чтобы показалось дно сиденья.
  - А Отстегните 2 крепежных полоски и вытащите их из рамы коляски.
  - В Отстегните крепежные полоски и вытащите их из боков рамы коляски.
  - С Отвинтите правый крюк-карабин и вытяните ремень из подушки сиденья.
- 40 Переверните сиденье и поставьте его на колеса. Потяните ткань сиденья вверх и освободите ее от кнопок.
- 41 Начиная со дна, выдвиньте подушку сиденья из рамы коляски с обеих сторон.

42 Начиная с верха, выдвиньте подушку сиденья из рамы с обеих сторон.

43 Снимите подушку сиденья.  
Подушка вставляется в раму в обратном порядке.

**⚠ ВНИМАНИЕ!** Перед повторным креплением подушки сиденья убедитесь, что все крепежные детали закрыты надлежащим образом.

# УХОД И ТЕХНИЧЕСКОЕ ОБСЛУЖИВАНИЕ

Чтобы прогулочная коляска прослужила дольше, важно выполнять простой регулярный уход. Периодически следует проверять, находятся ли соединения и места сгибов в хорошем рабочем состоянии. Если вы слышите скрип или чувствуете натяжение, можно отнести коляску в ближайший магазин велосипедов для смазки. Любые виды ремонта должны проводиться авторизованным дилером.

## СТИРКА

### Чехол сиденья

- Сиденье прогулочной коляски можно мыть вручную холодной водой, используя мягкодействующее моющее средство.
- Не забудьте снять металлическую раму и пластиковые панели перед стиркой.
- Не используйте растворители, каустические или абразивные чистящие средства.
- Чтобы минимизировать усадку, просто снова прикрепите чехол сиденья на раму для сушки.
- Не сушите под прессом, не гладьте, не подвергайте химической чистке, не сушите в стиральной машине и не выкручивайте материал.
- Если чехол сиденья необходимо заменить, используйте только изделия, поставляемые авторизованными дилерами компании Baby Jogger. Только на такие изделия предоставляется гарантия проведения испытаний на безопасность и соответствия габаритам сиденья.

### Пластиковые/металлические детали

- Протирайте, используя мягкодействующий мыльный раствор и теплую воду.
- Нельзя убирать, разбирать или

видоизменять любую часть механизма складывания сиденья или тормозов.

### Уход за колесами

- Колеса можно очищать влажной тряпкой. Их необходимо полностью высушить мягким полотенцем или тряпкой.

### ХРАНЕНИЕ

- В результате воздействия солнечного света материал сиденья может выцвести, а крышки пересохнуть, поэтому хранение коляски в помещении позволяет дольше сохранить привлекательный внешний вид.
- НЕ храните на улице.
- Убедитесь, что коляска полностью высохла, прежде чем сложить ее для хранения на длительный период.
- Всегда храните коляску в сухом месте.
- Храните прогулочную коляску в безопасном месте, если она не используется (т.е. там, где дети не смогут с ней играть).
- НЕ ставьте тяжелые предметы на коляску.
- НЕ храните прогулочную коляску вблизи от прямых источников тепла, таких как обогреватель или огонь.

## Бессрочная гарантия с ограничениями компании Baby Jogger:

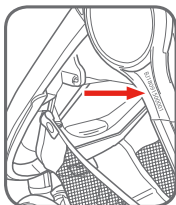
Компания Baby Jogger гарантирует на весь срок эксплуатации изделия, что рама не имеет производственных дефектов. Производственные дефекты включают, среди прочего, дефекты сварных конструкций и дефекты профиля рамы. На детали из текстиля или мягкой ткани, а также все другие компоненты предоставляется гарантия сроком на один год с даты покупки (за исключением профилей и шин). Для обращения с претензией по гарантии требуется доказательство покупки; гарантийные обязательства действительны только в отношении первоначального покупателя.

### НАСТОЯЩАЯ ГАРАНТИЯ НЕ ПОКРЫВАЕТ:

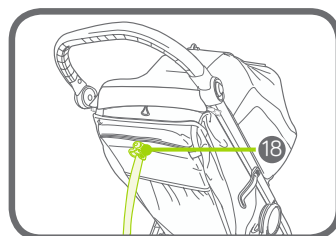
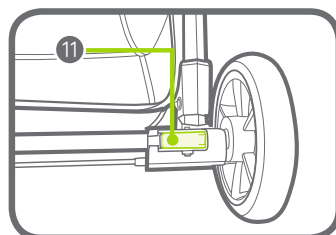
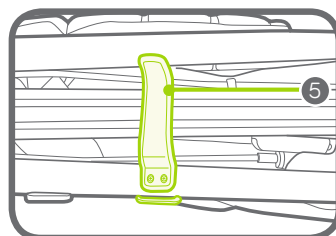
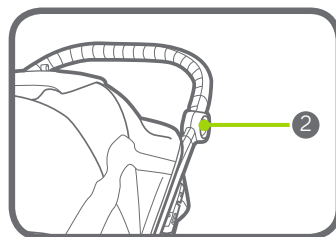
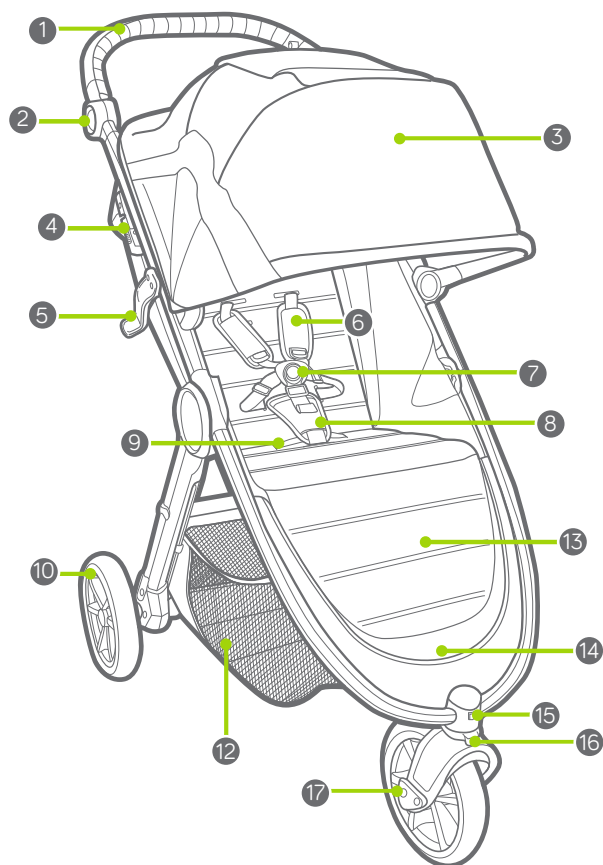
- Обычный износ
- Воздействие коррозии или образование ржавчины
- Неправильную сборку или установку третьими лицами деталей или принадлежностей, не совместимых с оригинальным дизайном
- Случайные или преднамеренные повреждения, неправильное использование или халатность, либо использование на лестницах или эскалаторах.
- Использование в коммерческих целях
- Неправильное хранение/уход за изделием

Настоящая гарантия определенно исключает любые претензии в связи с непрямыми, случайными или косвенными убытками. Подразумеваемые гарантии пригодности для продажи и пригодности для какой-либо конкретной цели соответствуют особому гарантийному периоду данной модели на дату продажи. В некоторых штатах не разрешается исключение или ограничение претензий в связи с непрямыми или косвенными убытками, поэтому указанные выше ограничения или исключения могут к вам не применяться. Настоящая гарантия предоставляет вам особые законные права. Вы также можете иметь другие права, которые могут отличаться в зависимости от штата. Чтобы узнать, какими законными правами вы можете воспользоваться в своем штате, обратитесь в местное представительство или представительство штата по защите прав потребителей или к генеральному прокурору своего штата.

Если прогулочная коляска была куплена за пределами Соединенных Штатов Америки, обратитесь к дистрибьютору в ближайшей стране. Контактную информацию можно найти на нашем веб-сайте по адресу: <http://www.babyjogger.com/retailers/#international>. Претензии по гарантии за пределами страны, где было приобретено изделие, могут повлечь расходы на транспортировку.



**ПРИМЕЧАНИЕ:** Обращаясь к дистрибьютору Baby Jogger по поводу прогулочной коляски, приготовьте серийный номер коляски. Его можно найти чуть ниже втулки на внешней стороне задней ножки.



- |   |                                    |    |                                      |
|---|------------------------------------|----|--------------------------------------|
| 1 | Drška                              | 10 | Zadnji točak                         |
| 2 | Dugme na dršci za sklapanje kolica | 11 | Dugme za otpuštanje zadnjih točkova  |
| 3 | Tenda                              | 12 | Korpa za stvari                      |
| 4 | Parkirna kočnica                   | 13 | Oslonac za noge                      |
| 5 | Automatsko zatvaranje              | 14 | Naslon za noge                       |
| 6 | Jastučići pojasa                   | 15 | Dugme za otpuštanje prednjih točkova |
| 7 | Kopča pojasa                       | 16 | Okretanje/blokada                    |
| 8 | Jastučić za kaiš za prepone        | 17 | Prednji točak                        |
| 9 | Kaiš za sklapanje                  | 18 | Kaiš za spuštanje naslona sedišta    |



## UPOZORENJE

**VAŽNO** - Pažljivo pročitajte ova uputstva i sačuvajte ih u slučaju potrebe. Bezbednost vašeg deteta može biti ugrožena ako se ne pridržavate ovih uputstava.

### UPOZORENJE

- Nikada ne ostavljajte dete bez nadzora.
- Uvek koristite sistem za vezivanje.
- Ovaj proizvod nije prikladan za trčanje ili klizanje.
- Pre upotrebe proverite da li su svi uređaji za blokadu zaključani.
- Da bi se izbegle povrede, dete ne sme da bude u blizini prilikom rasklapanja i sklapanja ovog proizvoda.
- Da biste sprečili povrede, skinite dečji stalak ili zaštitnu prečku kada sklapate ili rasklapate kolica.
- Ne dozvolite detetu da se igra sa ovim proizvodom.

### DRUGE BEZBEDNOSNE INFORMACIJE

- Ova kolica su namenjena za jedno dete. NIKAKO nemojte dozvoliti da više od jednog deteta bude u ovim kolicima u isto vreme.



max 22 kg

- Ovo sedište je namenjeno za jedno dete od rođenja do 22 kg težine.
- Ukupna nosivost koja se preporučuje za ova kolica je 28 kg. 20 kg u sedištu, 1 kg u zadnjem džepu sedišta i 4,5 kg u korpi. Prevelika težina može dovesti do opasnog, nestabilnog stanja.

- Za auto-sedišta koja se koriste zajedno sa postoljem, ovo auto-sedište ne služi kao zamena za kolevku ili krevet. Ako dete treba da spava, onda ga treba staviti u odgovarajuću nosiljku, kolevku ili krevetac.
- Bila kakav teret na dršci i/ili iza naslona i/ili na stranama kolica uticaće na stabilnost kolica.
- Za novorođenčad uvek koristite potpuno nagnuti položaj sedišta.
- Blokirate kočnice pre nego što stavite ili uzmete dete iz kolica i kad god kolica stoje u mestu.
- Uverite se da je kočnica ispravno aktivirana tako što ćete kolica lagano gurati napred-nazad.
- Kolica nisu namenjena za prevoz dece uz ili niz stepenice ili pokretne stepenice. Garancija neće pokriti štetu nastalu na kolicima.
- Ne sme se upotrebljavati dodatna oprema koju nije odobrila kompanija Baby Jogger.
- Pazite na automobile – nemojte nikada da pretpostavljate da vozač može da vidi vas i vaše dete.
- Dete u kolicima mora da sedi (nije dozvoljeno stajanje u kolicima).
- Upotrebljavajte isključivo rezervne delove koje je isporučio ili odobrio Baby Jogger.

## RAM

- 1 Izvadite ram kolica iz kutije i stavite točkove na stranu. Otključajte kolica povlačenjem ručice za zatvaranje kolica.
- 2 Rasklopite kolica povlačenjem drške dalje od rama. Zatim podignite dršku dalje od sedišta. Kolica će se uglaviti u mestu i čućete škljoc.
- 3 Stavite kolica u uspravan položaj.

**⚠ UPOZORENJE:** Pre upotrebe proverite da li su svi uređaji za blokadu zaključani.

## PREDNJI TOČAK

- 4 Postavljanje
  - Položite kolica od pozadi tako da drška leži na podu.
  - Pričvrstite prednji točak tako što ćete ga staviti u okvir prednjeg točka sve dok ne škljocne. Polako povucite prednji točak kako biste proverili da li je pravilno pričvršćen.

## 5 Skidanje

- Dok pritiskate dugme za otpuštanje prednjeg točka, polako izvucite prednji točak iz okvira prednjeg točka.

## FUNKCIJA ZA OKRETANJE

- 6 Pritisnite dugme za blokadu okretanja i pomerite blokadu okretanja ulevo da biste blokirali prednje točkove u fiksni položaj za vožnju kolicima na duže distance.
- 7 Pritisnite dugme za blokadu okretanja i pomerite blokadu okretanja udesno da bi se prednji točkovi mogli okretati.

**⚠ UPOZORENJE:** Dok stavljate ili uzimate dete iz kolica, blokirajte prednje točkove u fiksni položaj. Iako se prednji točkovi kolica blokiraju, kolica nisu namenjena za džoging ili vežbanje.

## ZADNJI TOČKOVI

## 8 Postavljanje

- Poravnajte osovину zadnjeg točka sa okvirom točka na ramu kolica i ubacite ga u okvir točka dok se ne uglavi u mestu. Čućete "škljoc".
- Blago povucite zadnji točak kako biste se uverili da je pravilno pričvršćen.

## 9 Skidanje

- Dok pritiskate dugme za otpuštanje točka, polako izvucite zadnji točak iz okvira točka.

## KOČNICA

- 10 Blokiranje kočnica: polako povucite ručicu kočnice u uspravni položaj dok ne škljocne u položaj.
- 11 Otpuštanje kočnica: stegnite sive jezičke i povucite ručicu prema sebi. Pritisnite ručicu kočnice prema dole sve dok ne bude paralelna s ramom kolica.

**⚠ UPOZORENJE:** Pre nego što stavite ili uzmete dete iz kolica i kad god kolica stoje u mestu, blokirajte kočnice.

## TENDA

- 12 Pričvrstite tendu za ram povlačenjem tende na jedan od držača rama kolica. Da biste je skinuli, povucite tendu sa držača.

**NAPOMENA:** Kada koristite auto-sedište City Go/Graco ili Britax tenda mora da bude u gornjem položaju. Za sva druga auto-sedišta, tenda se mora skinuti.

- 13 Zakopčajte dve kopče na ram kolica.
- 14 Zatvorite rajsferšlus na poleđini sedišta i vrha tende.
 

Pričvrstite 2 čičak trake na bočnoj strani tende.
- 15 Povucite prema napred kako biste otvorili tendu, a gurnite je unazad kako biste je zatvorili.

16 Na tendi ima dva prozorčeta, jedan na vrhu a drugi od pozadi. Da biste ih koristili, podignite tkaninu prema gore i pričvrstite gumicom i dugmetom.

### DRŠKA

17 Da biste promenili položaj drške u jedan od 6 položaja, pritisnite dugmad za otpuštanje drške sa obe strane i okrećite gore ili dole da biste namestili u novi položaj.

### PODEŠAVANJE SIGURNOSNOG POJASA

18 Sa zadnje strane sedišta, otkopčajte i otvorite džep kako biste našli plastični četvrtasti stoper. Okrenite stoper i provucite kroz otvore u PE naslonu i tkanini sedišta.

19 Ponovo stavite stoper u prorez sedišta koji je najbliži detetovim ramenima. Provucite od pozadi kroz tkaninu sedišta i PE naslon. Povucite traku kako biste se uverili da je stoper zaključan. Ponovite postupak na obe strane.

**⚠ UPOZORENJE:** Izbegavajte ozbiljne ozlede od pada ili iskliznuća. Uvek pravilno namestite i zavežite sigurnosni pojas.

**⚠ UPOZORENJE:** Uvek koristite pojas za prepone zajedno sa pojasevima za ramena i pojasom oko struka.

20 Podignite jastučice pojasa kako biste imali pristup plastičnoj vodiči na traci.

21 Za zatezanje ili otpuštanje držite plastičnu vodiču i povucite traku.

### UPOTREBA SIGURNOSNOG POJASA

22 Uvucite bočnu kopču trake u kopču pojasa s obe strane.

23 Uvucite povezane kopče pojasa i bočnih traka u krajeve kopče na preponama.

24 Za otpuštanje pritisnite dugme na kopči na preponama.

### SPUŠTANJE NASLONA SEDIŠTA

25 Stegnite stezaljku iza sedišta i

povlačite prema dole do željenog nagnutog položaja.

26 Spustite sedište sa obe strane kako bi se poravnalo s položajem stezaljke. Da biste vratili sedište u uspravni položaj, ponovite navedene korake obrnutim redosledom.

**⚠ UPOZORENJE:** Dok prilagođavate sedište kolica, pazite da glava, ruke i noge deteta ne dodiruju pokretne delove sedišta i ram kolica.

27 Za dodatnu ventilaciju, smotajte preklop na poledini sedišta i pričvrstite gumicom i dugmetom.

### OSLONAC ZA NOGE

28 Da biste koristili oslonac za noge, podignite prednju stranu navlake sedišta.

29 Okrenite ručicu za potporu prema spolja i spustite navlaku sedišta. Zaključajte ručicu za potporu.

30 Da biste spustili oslonac za noge, ponovite navedene korake obrnutim redosledom.

### SKLAPANJE

- Izvadite dete iz sedišta.
- Otpustite blokade okretanja prednjih točkova.
- Izvadite sav pribor za pričvršćivanje i sve stvari iz korpe.

**⚠ UPOZORENJE:** Da biste sprečili povrede, skinite dečji stalak ili zaštitnu prečku kada sklapate ili rasklapate kolica.

31 Pritisnite dugmad na obe strane rama. Okrenite dršku prema gore.

32 Kažiprst stavite u malu petlju, povucite ručku za sklapanje i pustite da se ram preklopi.

33 Uverite se da je ručka za automatsko zatvaranje kolica škljocnula u mesto.

34 Stavite kolica u uspravan položaj.

### SKIDANJE KORPE

35 Na prednjoj strani kolica otkopčajte

dve kopče i izvucite trake iz dela za noge.

36 Korpu skinite sa kuke.

37 Sa zadnje strane, podignite i skinite vrh korpe sa jezička na obe strane rama.

38 Skinite traku sa „C“ stezaljke na obe strane rama.

### SKIDANJE NAVLAKE SEDIŠTA

39 Okrenite kolica naopako da bi se videlo dno sedišta.

A Odlepите dve čičak trake i izvucite ih iz rama kolica.

B Odlepите čičak traku i izvucite je s bočne strane rama kolica.


C Odvrnite desni karabiner i izvucite kaiš iz navlake sedišta.

40 Okrenite kolica nazad na točkove. Povucite navlaku sedišta prema gore i otkopčajte dugmad.

41 Počevši odozdo, izvucite navlaku sedišta iz rama kolica sa obe strane.

42 S gornje strane izvucite navlaku sedišta iz rama kolica sa obe strane.

43 Skinite navlaku sedišta. Da biste ponovo postavili navlaku na ram sedišta, ponovite navedene korake obrnutim redosledom.

 **UPOZORENJE:** Pri ponovnom postavljanju navlake sedišta vodite računa da sve trake za pričvršćivanje budu ispravno zatvorene.

# ČUVANJE I ODRŽAVANJE

Da biste održali dugi vek kolica, važno je da obavljate jednostavno, redovno održavanje. Povremeno proveravajte da li su zglobovi i mesta za sklapanje i dalje u dobrom stanju. Ako čujete škripanje ili osetite otpor, kolica možete odneti u obližnju prodavnicu kolica radi dodatnog podmazivanja. Samo ovlašćeni prodavac sme obavljati sve popravke.

## PRANJE

### Tkanina sedišta

- Sedište kolica možete prati u mašini za pranje u hladnoj vodi sa blagim deterdžentom.
- Vodite računa da pre pranja skinete metalni ram i PE daske sa sedišta.
- Ne upotrebljavajte rastvore, kaustična ili abrazivna sredstva za čišćenje.
- Da biste smanjili skupljanje, jednostavno ponovo pričvrstite sedište za ram radi sušenja.
- Nemojte tkaninu peglati, hemijski čistiti, sušiti u mašini za sušenje niti cediti.
- Ako je potrebno navlaku sedišta zameniti, koristite samo delove prodavca koga je ovlastila kompanija Baby Jogger. Oni su jedini koji mogu garantovati da je navlaka testirana za bezbednost i dizajnirana da odgovara ovom sedištu.

### Plastični/metalni delovi

- Očistite blagim sapunom i toplom vodom.
- Ne smete skidati, rastavljati ili menjati bilo koji deo mehanizma za sklapanje sedišta ili kočnice.

### Čišćenje točkova

- Točkovi se mogu čistiti vlažnom krpom. Treba ih potpuno osušiti mekim peškirom ili krpom.

## ČUVANJE

- Sunčeva svetlost može da izbledi tkaninu sedišta ili da osuši gume, stoga će čuvanje kolica u zatvorenom prostoru produžiti dobar izgled kolica.
- NE čuvajte kolica napolju.
- Proverite da li su kolica suva pre nego ih ostavite da stoje duže vreme.
- Uvek čuvajte kolica na suvom mestu.
- Čuvajte kolica na bezbednom mestu kada se ne koriste (npr. tamo gde se deca ne mogu igrati s njima).
- NEMOJTE stavljati teške predmete na kolica.
- NEMOJTE čuvati kolica blizu direktnog izvora toplote kao što su radijatori ili vatra.

## Ograničena garancija kompanije Baby Jogger

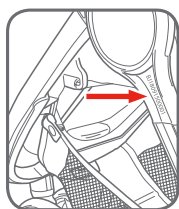
Kompanija Baby Jogger garantuje da okvir kolica nema nikakvih defekata u proizvodnji tokom radnog veka proizvoda. Defekti nastali proizvođačevom greškom uključuju ali se ne ograničavaju na prelom zavarenih delova i oštećenja cevi rama kolica. Tekstil ili mekani materijali na šavovima i svi drugi delovi imaju garanciju jednu godinu od datuma kupovine (osim cevi i guma). Za reklamacije na garanciju potrebna je potvrda o kupovini, a garancija se daje samo originalnom kupcu.

### OVA GARANCIJA NE POKRIVA:

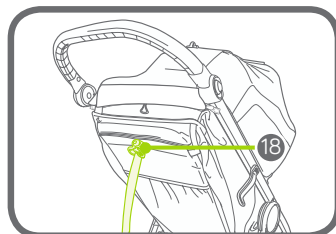
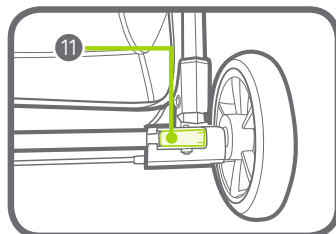
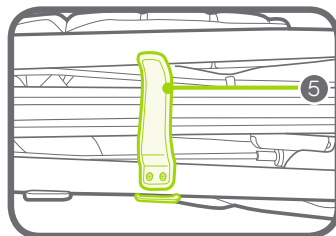
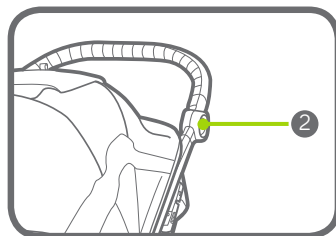
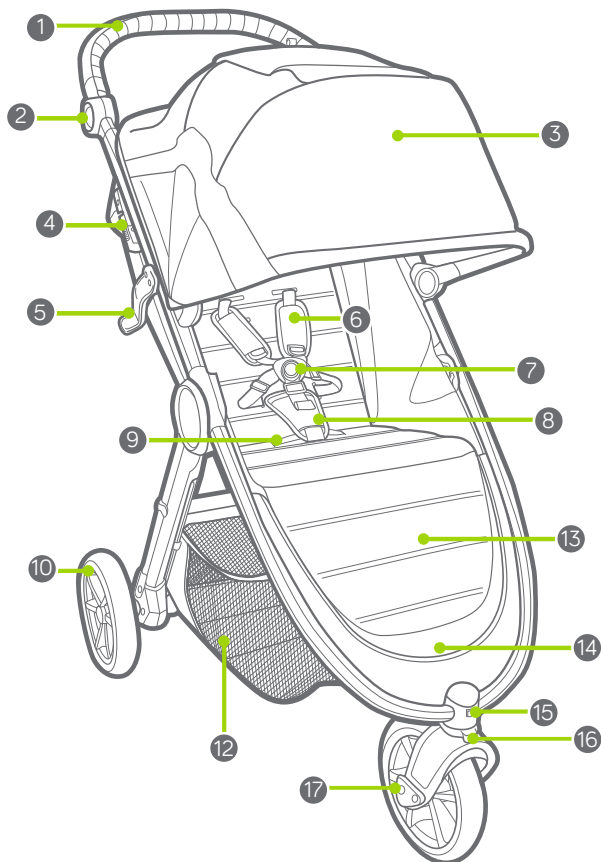
- standardno trošenje i habanje
- koroziju ili rđu
- nepravilno sklapanje ili postavljanje delova ili dodatnog pribora trećih strana koji nisu u skladu s originalnim dizajnom
- slučajno ili namerno oštećenje, zloupotrebu ili nehat, ili upotrebu na stepenicama ili pokretnim stepenicama.
- upotrebu u komercijalne svrhe
- nepravilno skladištenje / održavanje kolica

Ova garancija posebno isključuje potraživanja za indirektno, slučajne ili posledične štete. Podrazumevana garancija o mogućnosti prodaje i pogodnosti za određenu upotrebu u skladu je sa određenim garantnim rokom za ovaj model kolica u vreme kupovine. Neke države ne dozvoljavaju isključenja ili ograničenja slučajne ili posledične štete, te gore navedena ograničenja ili isključenja se možda ne primenjuju na vas. Ova garancija vam daje određena zakonska prava, a vi možda takođe imate druga prava koja se razlikuju od države do države. Da biste saznali koja su vaša zakonska prava u vašoj državi, obratite se lokalnoj ili državnoj službi za potrošače ili državnom pravobraniocu vaše države.

Ako ste kupili kolica izvan Sjedinjenih Američkih Država, obratite se distributeru u zemlji u vašoj blizini. Njihove kontakt informacije mogu se naći na našoj web-stranici na <http://www.babyjogger.com/retailers/#international>. Potraživanja po osnovu garancije izvan zemlje u kojoj je ovaj proizvod kupljen mogu uključivati troškove prevoza.



**NAPOMENA:** Kada budete kontaktirali distributera kompanije Baby Jogger u vezi vaših kolica, imajte pri ruci serijski broj kolica. On se nalazi odmah ispod glavčine na spoljašnjoj strani zadnje nožice.



- |   |                                |    |   |
|---|--------------------------------|----|---|
| 1 | Rukoväť                        | 10 | Zadné koliesko                          |
| 2 | Tlačidlo na sklopenie rukoväte | 11 | Tlačidlo na odistenie zadného kolieska  |
| 3 | Strieška                       | 12 | Úložný košík                            |
| 4 | Parkovacia brzda               | 13 | Podpora na nohy                         |
| 5 | Automatickú poistnú páčku      | 14 | Priestor pre nohy                       |
| 6 | Výstelky postroja              | 15 | Tlačidlo na odistenie predného kolieska |
| 7 | Pracka postroja                | 16 | Otáčanie/Poistka                        |
| 8 | Vypchávka rozkrokového popruhu | 17 | Predné koliesko                         |
| 9 | Skladací remienok              | 18 | Remienok na nakláňanie sedačky          |

# ! UPOZORNENIE

Dôležité - Pred použitím prečítajte pozorne tento návod a uschovajte ho pre budúcu potrebu.

Ak nedodržíte tieto pokyny, môže byť ovplyvnená bezpečnosť vášho dieťaťa.

## UPOZORNENIE

- Nikdy nenechávajte dieťa bez dozoru.
- Používajte vždy upevňovací systém.
- Tento výrobok nie je vhodný na behanie, korčuľovanie.
- Pred používaním sa uistite, že všetky zaistovacie zariadenia sú zaistené.
- Pri rozopínaní a zapínaní sa uistite, že dieťa nie je v kočiariku, aby ste predišli prípadnému úrazu.
- Aby nedošlo k zraneniu, odstráňte detskú tácku alebo madlo, keď skladáte alebo rozkladáte kočík.
- Tento výrobok nie je hračka. Nenechajte dieťa hrať sa s týmto výrobkom.

## ĎALŠIE BEZPEČNOSTNÉ INFORMÁCIE

- Tento kočík je pre jedného pasažiera. NIKDY nedovoľte viac než jedno dieťa odrazu v tomto kočíku.



max 22 kg

- Sedačka je vhodná pre jedno dieťa od narodenia do 22 kg.
- Celková hmotnosť nákladu odporúčaná pre tento kočík je 28 kg. 22 kg na sedačke, 1 kg vo vrecku na zadnej strane sedačky a 4,5 kg v košíku. Nadmerná hmotnosť môže spôsobiť vytvorenie nebezpečných nestabilných podmienok.

- Autosedačka použitá spoločne s šasi nenahrádza kolísku alebo postieľku. Ak dieťa potrebuje spať, uložte ho do vhodného tela vaničky, kolísky alebo postieľky.
- Akýkoľvek náklad pripojený na rukoväť alebo zadnú stranu chrbtovej opierky alebo na boky kočíka ovplyvní stabilitu kočíka.
- Pre novorodencov odporúčame vždy používať najsklopenejšiu polohu sedačky.
- Pred vložením a vyložením dieťaťa a vždy, keď sa kočík nehýbe, zapojte brzdy.
- Skontrolujte, či je brzda riadne zapojená tak, že kočíkom pohnite mierne dopredu a dozadu.
- Kočík nie je určený na prepravu detí hore alebo dolu po schodoch alebo na eskalátoroch. Poškodenie vzniknuté na kočíku nebude kryté zárukou.
- Príslušenstvo, ktoré nie je schválené Baby Jogger, sa nesmie používať.
- Dávajte pozor na autá – nikdy nepredpokladajte, že vodič vidí vás a vaše dieťa.
- Pasažier musí zostať sedieť (v kočíku sa nesmie stáť).
- Používajte len náhradné časti dodávané alebo schválené Baby Jogger.



## RÁM

- 1 Vybalte rám kočíka z krabice a kolieska odložte nabok.  
Kočík odistite potiahnutím páky skladovacej poistky.
- 2 Kočík rozložte potiahnutím rukoväte preč od rámu. Potom nadvihnite rukoväť smerom od sedadla. Kočík zapadne na svoje miesto a budete počuť kliknutie.
- 3 Umiestnite kočík do vzpriamenej polohy.

**⚠ UPOZORNENIE:** Ubezpečte sa, že sú pred použitím zapojené všetky poistné zariadenia.

## PREDNÉ KOLIESKO

- 4 Inštalácia
  - Plozte kočík na zadnú časť tak, aby bola rukoväť opretá o zem.
  - Pripevnite predné koliesko tak, že ho vsuniete do objímky predného kolieska až kým kliknutím nezapadne. Predné koliesko jemne potiahnite, aby ste sa ubezpečili, že je riadne pripevnené.

## 5 Odpojenie

- Stlačte tlačidlo na odistenie predného kolieska a zároveň jemne vytiahnite predné koliesko z objímky predného kolieska.

## FUNKCIA OTÁČANIA

- 6 Tlačidlo poistky otáčania potlačte nadol a poistku otáčania posuňte doľava, aby sa montáž predného kolesa zaistila v pevnej polohe na diaľkové kočíkovanie.
- 7 Tlačidlo poistky otáčania potlačte nadol a poistku otáčania posuňte doprava, aby sa montáž predného kolesa mohla otáčať.

**⚠ UPOZORNENIE:** Pri vkladaní a vyberaní dieťaťa do a z kočíka zaistite predné koliesko do fixnej polohy. Aj keď je predné koliesko vášho kočíka zaistené, kočík nie je určený pre účely behania alebo cvičenia.

## ZADNÉ KOLIESKA

- 8 Inštalácia
  - Zarovnajzte nápravu zadných koliesok s objímkou koliesok na ráme kočíka a zasuňte ju

do objímky koliesok až kým nezapadne na miesto. Budete počuť kliknutie.

- Zadné koliesko jemne potiahnite, aby ste sa ubezpečili, že je riadne pripevnené.

## 9 Odpojenie

- Stlačte tlačidlo na odistenie kolieska a zároveň jemne vytiahnite zadné koliesko z objímky.

## BRZDA

- 10 Zamknutie brzd: Jemne potiahnite brzdovú páku do vzpriamenej polohy, kým nezacvakne na miesto.
- 11 Uvoľnenie brzd: Stlačte šedé výstupky a páku potiahnite k sebe. Páku brzdy tlačte nadol, kým nie je paralelne s rámom.

**⚠ UPOZORNENIE:** Zaistite brzdy pred vkladáním a vykladáním vášho dieťaťa do a z kočíka a tiež vždy keď kočík nie je v pohybe.

## STRIEŠKA

- 12 Striešku pripevnite k rámu natiiahnutím striešky na jednu z dvoch montážnych konzol. Ak chcete striešku odstrániť, stiahnite ju z konzol.

**POZNÁMKA:** Keď používate autosedačku City Go/Graco alebo Britax, strieška musí byť v hornej polohe. Pre všetky ostatné autosedačky musí byť strieška odstránená.

- 13 Dve patentky pricvaknite k rámu kočíka.
- 14 Zadnú stranu sedačky prizipsujte k vrchu striešky.  
2 upínacie pásiky z boku pripevnite k strieške.
- 15 Strieška sa otvára potiahnutím dopredu a zatvára potlačením dozadu.
- 16 Strieška má dve okná, vrchné a zadné. Ak ich chcete použiť, clonu vyrolujte smerom nahor a prichyťte ju gumičkou a gombíkom.

**RUKOVÄŤ**

- 17 Ak chcete zmeniť rukoväť na jednu zo 6 používaných polôh, stlačte tlačidlo na uvoľnenie rukoväte po oboch stranách a otočte ju nahor alebo nadol do novej polohy.

**NASTAVENIE BEZPEČNOSTNÉHO POSTROJA**

- 18 Na zadnej strane sedačky rozopnite a otvorte vrečko a vyhladajte plastovú štvorcovú zarážku. Otočte zarážku a prevlečte ju cez otvory na PE paneli a látke sedadla.
- 19 Vložte zarážku do otvoru sedadla, ktorý je najbližšie k ramenám dieťaťa. Potlačte dozadu cez látku a PE panel sedadla. Potiahnite popruh, aby ste sa ubezpečili, že zarážka je zaistená. Zopakujte na oboch stranách.

**⚠ UPOZORNENIE:** Zabráňte vážnemu zraneniu v dôsledku pádu alebo vyklznutia. Vždy riadne nastavte a utiahnite bezpečnostný postroj.

**⚠ UPOZORNENIE:** Vždy používajte rozkrokový popruh spolu s ramennými popruhmi a driekovým pásom.

- 20 Posuňte výstelky postroja až k plastovým vođítkam na popruhu.
- 21 Pridržte plastové vođítka a potiahnite popruh, aby ste ho utiahli alebo povolili.

**POUŽITIE BEZPEČNOSTNÉHO**

- 22 Vložte na oboch stranách pracku bočného popruhu do pracky postroja.
- 23 Vložte spojené pracky bočných popruhov a postroja do bočných strán rozkrokovej pracky.
- 24 Stlačte tlačidlo na rozkrokovej pracke a uvoľnite.

**ZAKLÁPANIE SEDADLA**

- 25 Stlačte sponu za sedadlom a posuňte ju nadol na požadované zaklopenie.
- 26 Potiahnite sedadlo nadol na oboch stranách, aby bolo zároveň s polohou spony. Späťne zopakujte jednotlivé kroky a vráťte do vzpriamenej polohy.

**⚠ UPOZORNENIE:** Keď nastavujete sedadlo kočička, uistite sa, že hlava, ruky a nohy dieťaťa sú mimo pohyblivých častí sedadla a rámu kočička.

- 27 Na extra vetranie vyrolujte zadnú príklopku sedačky smerom nahor a prichyťte ju gumičkou a gombíkom.

**PODPORA NA NOHY**

- 28 Ak chcete použiť podporu na nohy, nadvihnite prednú časť vankúšika sedačky.
- 29 Podporné rameno vytočte von a znížte vankúšik sedačky. Zaisťte podporné rameno.
- 30 Ak chcete znížiť podporu na nohy, vykonajte kroky v opačnom poradí.

**SKLADACIE**


- Vyberte dieťa zo sedadla.
- Odistite poistky otočných predných kolies.
- Odstráňte všetky prípojné zariadenia a všetky položky z košíka.

**⚠ UPOZORNENIE:** Aby nedošlo k zraneniu, odstráňte detskú tácku alebo madlo, keď skladáte alebo rozkladáte kočič.

- 31 Stlačte tlačidlá na oboch stranách rámu. Rukoväť vytočte nahor.
- 32 Ukazovák zastrčte do malej slučky, sklápacia páka „Sklopte potiahnutím“ potiahnite nahor a rám nechajte, aby sa sklopil.
- 33 Ubezpečte sa, že automatická poistná páčka zapadne kliknutím na miesto.
- 34 Kočičik dajte do vzpriamenej stojacej polohy.
- ODPOJENIE KOŠÍKA**
- 35 Spredu kočička odopnite 2 patentky a remienky vyťahnite z opierky na nohy.
- 36 Košík nadvihnite z háčika.
- 37 Zozadu nadvihnite vrch košíka z výstupkov na oboch stranách rámu.
- 38 Odstráňte remienok zo svorky v tvare

C na oboch stranách rámu.

### ODSTRÁNENIE VANKÚŠIKA SEDAČKY

- 39 Kočík otočte hore nohami, aby sa ukázal spodok sedačky.
- A Rozopnite 2 upínacie pásiky a vytiahnite ich z rámu kočíka.
  - B Rozopnite upínacie pásiky a vytiahnite ich z bočných strán rámu kočíka.
  - C Odskrutkujte pravý karabínový háčik a z vankúšika sedačky vytiahnite remienok.
- 40 Kočík otočte naspäť na kolesá. Látku sedačky potiahnite nahor a stiahnite ju z gombíkov.
- 41 Začínajúc odspodu, vankúšik sedačky stiahnite z rámu kočíka po oboch stranách.
- 42 Zvrchu stiahnite vankúšik sedačky z rámu po oboch stranách.
- 43 Odstráňte vankúšik sedačky. Na pripevnenie vankúšika sedačky k rámu vykonajte kroky v opačnom poradí.
-  **VAROVANIE:** Keď znovu pripievňujete vankúšik sedačky, skontrolujte, či sú všetky spinky riadne pozatvárané.

# STAROSTLIVOSŤ A ÚDRŽBA

Aby sa zachovala životnosť kočíka, je dôležité vykonávať jednoduchú, pravidelnú údržbu. Občas sa ubezpečte, že spoje a skladacie časti sú stále v dobrom stave. Ak budete počuť nejaké vŕzganie, alebo cítiť napätie, môžete zobrať kočík do miestneho obchodu s bicyklami a požiadať o premazanie. Všetky opravy by mali byť vykonávané iba autorizovaným predajcom.

## PRANIE

### Látka sedadla

- Sedačku kočíka možno prať ručne v studenej vode s jemným saponátom.
- Pred opraním zo sedadla vyberte kovový rám a PE panely.
- Nepoužívajte rozpúšťadlá, agresívne, alebo abrazívne čistiace prostriedky.
- Aby sa minimalizovalo zbehnutie, pripevnite sedadlo na rám a nechajte vyschnúť.
- Látku nestláčajte, nežehlite, nečistite v čistiarni, nesušte v sušičke, ani nežmýkajte.
- Ak je potrebné vymeniť poťahy sedadla, použite len diely od autorizovaného predajcu značky Baby Jogger a len tie, ktoré sú zaručené, že boli bezpečnostne testované a navrhnuté tak, aby pasovali na toto sedadlo.

### Plastové/kovové časti

- Handričkou utrite jemným mydlom a teplou vodou.
- Nesmiete odstrániť, rozmontovať, ani upravovať akékoľvek časti skladacieho mechanizmu sedadla alebo brzd.

### Starostlivosť o kolieska

- Kolieska je možné očistiť vlhkou handričkou. Je potrebné dosucha ich utrieť mäkkým uterákom alebo handričkou.

## USKLADNENIE

- Slnéčné lúče môžu spôsobiť vyblednutie látky sedadla a vysušenie pneumatík, a preto uskladnením kočíka vo vnútri predĺžite jeho životnosť a dobrý vzhľad.
- NESKLADUJTE vonku.
- Predtým ako uskladníte na dlhšiu dobu, sa ubezpečte, že kočík je suchý.
- Kočík vždy uskladnite v suchom prostredí.
- Keď kočík nepoužívate, uskladnite ho v bezpečnom prostredí (napr. tam kde sa s ním deti nemôžu hrať).
- NEUMIESTŇUJTE ťažké predmety na kočík.
- NESKLADUJTE kočík v blízkosti priameho zdroja tepla, ako je radiátor alebo oheň.

# Obmedzená doživotná záruka značky Baby Jogger

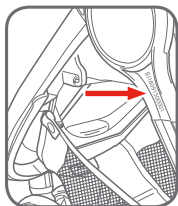
Značka Baby Jogger zaručuje, že rám je bez výrobných chýb po celú dobu životnosti výrobku. Medzi výrobné chyby patria, ale nie sú obmedzené na, zlomenie spojov a poškodenie rúriek rámu. Textilné alebo mäkké bočné materiály a všetky ostatné súčasti sú kryté zárukou po dobu jedného roka od dátumu nákupu (s výnimkou rúriek a pneumatík). Na reklamáciu je potrebný doklad o kúpe a záruka sa vzťahuje len na pôvodného kupujúceho.

## TÁTO ZÁRUKA SA NEVZŤAHUJE NA:

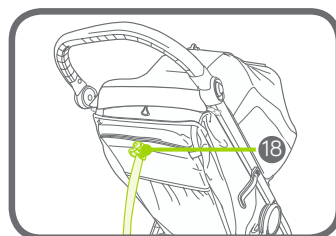
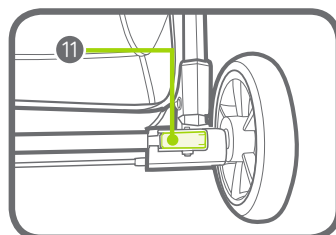
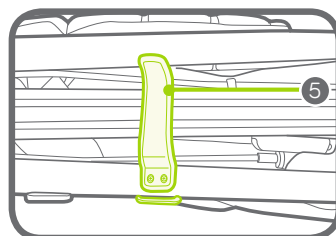
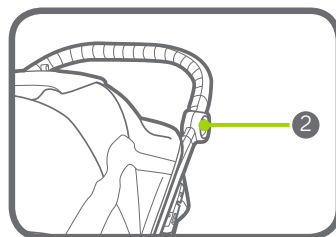
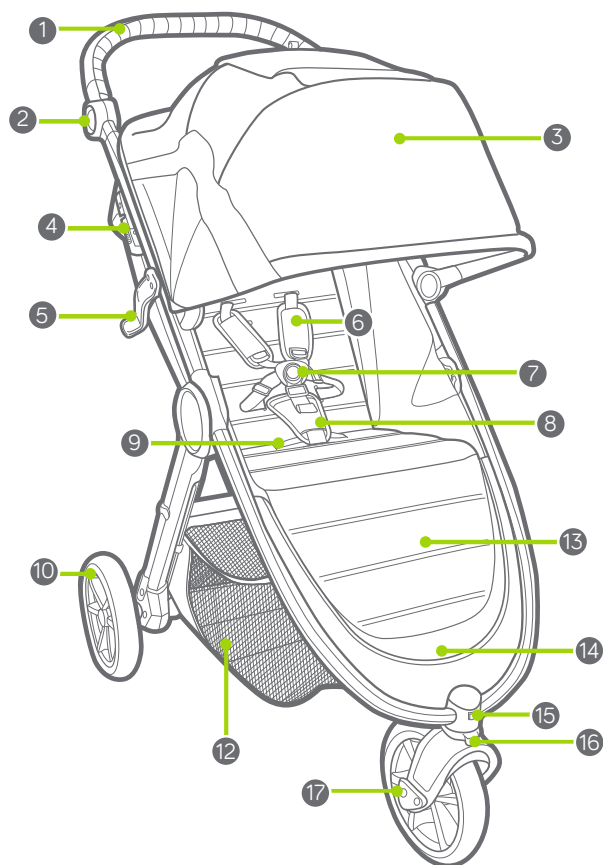
- Bežné opotrebovanie
- Koróziu a hrdzu
- Chybnú montáž alebo inštaláciu dielov tretích strán alebo doplnkov, ktoré nie sú kompatibilné s pôvodným dizajnom
- Náhodné alebo úmyselné poškodenie, zneužívanie alebo zanedbávanie, alebo používanie na schodoch alebo eskalátoroch.
- Komerčné použitie
- Nesprávne uskladnenie/starostlivosť o výrobok

Táto záruka výslovne vylučuje nároky na nepriame, náhodné alebo následné škody. Odvožené záruky obchodovateľnosti a vhodnosti pre konkrétny účel sú v závislosti od konkrétnej záručnej doby pre tento model zariadenia v čase nákupu. Niektoré štáty neumožňujú vylúčenie alebo obmedzenie náhodných alebo následných škôd, takže vyššie uvedené obmedzenia alebo vylúčenia sa nemusia vzťahovať na vás. Táto záruka vám poskytuje špecifické zákonné práva a môžete mať tiež iné práva, ktoré sa líšia v jednotlivých štátoch. Ak chcete vedieť, aké sú vaše zákonné práva vo vašom štáte, obráťte sa na miestny alebo štátny úrad pre záležitosti spotrebiteľov alebo na vášho generálneho prokurátora.

Ak bol váš kočík zakúpený mimo územia Spojených štátov, obráťte sa prosím na distribútora v najbližšej krajine. Ich kontaktné informácie môžete nájsť na našich webových stránkach <http://www.babyjogger.com/retailers/#international>. K nárokom na záruku mimo krajiny, v ktorej bol výrobok zakúpený môžu byť účtované poplatky za dopravu.



**POZNÁMKA:** Pri kontaktovaní distribútora spoločnosti Baby Jogger majte pripravené sériové číslo kočíka. Nájdete ho tesne pod hrdlom na vonkajšej strane zadnej nohy.



- |   |                           |    |                                    |
|---|---------------------------|----|------------------------------------|
| 1 | Ročaj                     | 10 | Zadnje kolo                        |
| 2 | Gumb za zlaganje ročaja   | 11 | Gumb za sprostitev zadnjih koles   |
| 3 | Baldahin                  | 12 | Košara                             |
| 4 | Parkirna zavora           | 13 | Opora za noge                      |
| 5 | Samodejno zaklepanje      | 14 | Nožni podstavek                    |
| 6 | Blazine H-pasu            | 15 | Gumb za sprostitev sprednjih koles |
| 7 | Zaponka H-pasu            | 16 | Obračanje/zaklep                   |
| 8 | Blazinica mednožnega pasu | 17 | Sprednje kolo                      |
| 9 | Zložljivi trak            | 18 | Trak za naklon sedeža              |

# ! OPOZORILO

Pomembno – Pred uporabo pozorno preberite navodila in jih shranite kot napotek za v prihodnje. Neupoštevanje teh navodil lahko vpliva na varnost vašega otroka.

## OPOZORILO

- Otroka nikoli ne puščajte nenadzorovanega.
- Vedno uporabljajte sistem držal.
- Ta izdelek ni primeren za tek ali rolanje.
- Pred uporabo preverite, ali so vsi zapahi aktivirani.
- Da preprečite poškodbe, pazite, da pri odpiranju in zlaganju izdelka otrok ne bo v bližini.
- Da preprečite poškodbe, odstranite dodatka otroško mizico ali trebušni zapah, ko voziček odpirate ali zapirate.
- Ne dovolite, da bi se otrok igral z izdelkom.

## DODATNE INFORMACIJE O VARNOSTI

- V tem vozičku lahko sedi le en otrok. NIKOLI ne dovolite, da je v vozičku hkrati več otrok.



max 22 kg

- Ta enota sedeža je primerna za enega otroka od rojstva do 22 kg.
- Skupna priporočljiva obremenitev za ta voziček je 28 kg, 22 kg v sedežu, 1 kg v zadnjem predalu sedeža in 4,5 kg v košari. Prevelika teža lahko povzroči nevarno nestabilno stanje.

- Autosedačka použita splošno s šasi nenahrádza kolísku alebo postielku. Ak dieťa potrebuje spať, uložte ho do vhodného telo vaničky, kolísky alebo postielky.
- Vsako breme, pritrjeno na ročico in/ali hrbtni del naslonjala in/ali na strani vozila, bo vplivalo na stabilnost vozila.
- Priporočamo, da za novorojenčke sedež nagnete do konca.
- Zaklenite zavore, preden otroka namestite v voziček, ko ga jemljete ven in vedno, ko se voziček ne premika.
- Voziček premikajte rahlo naprej in nazaj in se prepričajte, da so zavore pravilno zaklenjene.
- Voziček ni namenjen prevažanju otrok po stopnicah ali tekočih stopnicah. Škoda na vozičku, ki nastane zaradi te uporabe, ni krita z garancijo.
- Ne uporabljajte dodatkov, ki jih družba Baby Jogger ni odobrila.
- Pazite na avtomobile – nikoli ne domnevajte, da lahko voznik vas in vašega otroka vidi.
- Potnik mora sedeti (v vozičku ne sme stati).
- Uporabljajte le nadomestne dele, ki jih je dobavila ali odobrila družba Baby Jogger.

## OKVIR

- 1 Iz škatle vzemite okvir vozička in dajte kolesa na stran. Povlecite zaklepno ročico za zlaganje vozička in voziček odklenite.
- 2 Voziček odprite tako, da ročaj povlečete proč od okvira. Nato dvignite ročico proč od sedeža. Voziček se zaskoči in zaslišali boste klik.
- 3 Voziček postavite v raven položaj.

**⚠ OPOZORILO:** Pred uporabo preverite, ali so vse zapore aktivirane.

## SPREDNJE KOLO

- 4 Namestitev
  - Voziček položite na hrbet, da bo ročaj na tleh.
  - Nataknite sprednje kolo, tako da ga potiskate v sprejem sprednjih koles, dokler se ne zaskoči. Nežno povlecite za sprednje kolo in se prepričajte, da je pravilno pritrjeno.
- 5 Odstranjevanje
  - Med pritiskanjem gumba za sprostitvev sprednjih koles nežno povlecite sprednje kolo iz sprednjega sprejema za kolo.

## LASTNOST OBRAČANJA

- 6 Pritisnite na gumb za zaklep obračanja navzdol in potisnite zaklep obračanja v levo, da zaklenete sklop sprednjih koles v nepremični položaj za dolgotrajno vožnjo.
- 7 Pritisnite gumb za zaklep obračanja navzdol in potisnite zaklep obračanja v desno, da omogočite obračanje sklopa sprednjih koles.

**⚠ OPOZORILO:** Pri dajanju otroka v voziček in iz njega zaklenite sprednja kolesa v fiksni položaj. Čeprav se sprednja kolesa vozička zaklenejo, voziček ni primeren za uporabo med tekanjem ali vadbo.

## ZADNJA KOLESJA

- 8 Namestitev
  - Poravnajte os zadnjih koles s

sprejemom za kolesa na okviru vozička in ga vstavite v sprejem za kolesa, da se zaskoči. Zaslišali boste klik.

- Nežno povlecite za zadnje kolo in se prepričajte, da je pravilno pritrjeno.

## 9 Odstranjevanje

- Med pritiskanjem gumba za sprostitvev koles nežno povlecite zadnje kolo iz sprejema za kolo.

## ZAVORA

- 10 Zaklepanje zavor: nežno povlecite zavorno ročico v raven položaj, da se zaskoči.
- 11 Za sprostitvev zavor: stisnite sive jezičke in ročico povlecite k sebi. Zavorno ročico potiskajte navzdol, dokler ni vzporedna z okvirom.

**⚠ OPOZORILO:** Zaklenite zapore, preden otroka namestite v voziček, ko ga jemljete ven in vedno, ko se voziček ne premika.

## BALDAHIN

- 12 Baldahin pritrдите na okvir tako, da baldahin potisnete v enega od dveh montažnih nastavkov. Baldahin odstranite tako, da ga povlečete iz nastavkov.

OPOMBA: Če uporabljate avtosedež City Go/Graco ali Britax, mora biti baldahin v najvišjem položaju. Baldahin morate pri vseh drugih avtosedežih odstraniti.

- 13 Oba pritiskača potisnite v okvir vozička.
- 14 Hrbtni del sedeža z zadrگو pritrдите na vrh baldahina. Priprite 2 pritrđitvena trakova na stran baldahina.
- 15 Za odpiranje baldahina povlecite naprej in za zapiranje ga potisnite nazaj.
- 16 Baldahin ima dve okni, vrhnje in



hrbtno. Če jih želite uporabiti, senčnih zavijte proti vrhu in ga pritrdite z elastiko in gumbom.

## ROČICA

- 17 Da ročico spremenite v enega od 6 položajev uporabe, pritisnite na gumbe za sprostitev ročice na obeh straneh in jih obrnite navzgor in navzdol v nov položaj.

## PRILAGAJANJE VARNOSTNEGA H-PASU

- 18 S hrbtne strani sedeža odpustite in odprite žep, da najdete štirikotni plastični zapirrač. Obrnite zapirrač in ga povlecite skozi odprtine v PE-plošči in tkanini sedeža.
- 19 Zapirrač ponovno vstavite v odprtino sedeža, ki je najbližja otrokovim ramenom. Povlecite ga nazaj skozi tkanino sedeža in PE-ploščo. Povlecite za trak in se prepričajte, da je zapirrač pritrjen. Ponovite še na drugi strani.

**⚠ OPOZORILO:** Preprečite resne poškodbe otroka zaradi padca ali zdrsa iz vozička. Varnostni H-pas vedno pravilno namestite in zategnite.

**⚠ OPOZORILO:** Vedno uporabite mednožni trak v kombinaciji z ramenskimi pasovi in trakovi za pas.

- 20 Potisnite blazine H-pasu navzgor, da dostopite do plastičnega vodila na traku.
- 21 Držite za plastično vodilo in povlecite za trak, da ga zategnete ali odpustite.

## UPORABA VARNOSTNEGA H-PASU

- 22 Stranske zaponke pasu vstavite v zaponko H-traku na obeh straneh.
- 23 Vstavite spet trak in stranski zaponki trakov v stranici mednožne zaponke. Pritisnite gumb na mednožni zaponki, da jo sprostite.

## NAGIBANJE SEDEŽA

- 24 Sponko za sedežem stisnite in

potisnite sedež navzdol v zeleni položaj.

- 26 Sedež povlecite navzdol na obeh straneh, da je višini sponke. Za postavitev v raven položaj ravnajte obratno.

**⚠ OPOZORILO:** Pri prilagajanju sedeža vozička se prepričajte, da otrokova glava, roke in noge niso v bližini premikajočih se delov sedeža in vozička.

- 27 Za dodatno zračenje zavijte zadnjo zaplato sedeža navzgor in jo pritrdite z elastiko in gumbom.

## OPORA ZA NOGE

- 28 Da uporabite oporo za noge, dvignite sprednji del sedežne blazine.
- 29 Podporno roko obrnite navzven in spustite sedežno blazino. Zaklenite podporno roko.
- 30 Če želite oporo za noge spustiti, naredite nasprotno korake.

## ZLAGANJE

- Otroka vzemite iz sedeža.
- Sprostite zaklep obračanja sprednjih koles.
- Odstranite vse nastavke in vse predmete iz košare.

**⚠ OPOZORILO:** Da preprečite poškodbe, odstranite dodatka otroško mizico ali trebušni zapah, ko voziček odpirate ali zapirate.


- 31 Pritisnite gumba na vsaki strani okvirja. Zavrtite ročico navzgor.
- 32 Vstavite palec v majhno zanko, povlecite za ročico za zlaganje in pustite, da se okvir sesede.
- 33 Tkanino sedeža povlecite iz kanala palice okvirja.
- 34 Voziček postavite v stoječ položaj.

## ODSTRANJEVANJE KOŠARE

- 35 Od sprednje strani vozička odpustite 2 pritiskača in trak izvlcite iz prostora za noge.
- 36 Košaro snemite s kavlja.

- 37 S hrbtne strani dvignite košaro z jezička na obeh straneh okvira.
- 38 Odstranite trak s sponke C na obeh straneh okvira.

### ODSTRANJEVANJE BLAZINE SEDEŽA

- 39 Voziček obrnite, da se pokaže dno sedeža.
- A Odpustite 2 pritrdilna trakova in ju povlecite iz okvira vozička.
  - B Odpustite pritrdilna trakova in ju na strani povlecite iz okvira vozička.
  - C Odvijajte desni karabinski kavelj in povlecite pas v iz sedežne blazine.
- 40 Sedež obrnite nazaj na kolesa.  
Povlecite tkanino sedeža navzgor in jo snemite z gumbov.
- 41 Začenši na dnu blazino sedeža povlecite iz okvira vozička na obeh straneh.
- 42 Začenši na vrhu povlecite blazino sedeža iz okvira na obeh straneh.
- 43 Odstranite sedežno blazino.  
Ko želite blazino sedeža ponovno pritrditi na okvir, korake obrnite.
-  **OPOZORILO:** Pri ponovnem nameščanju blazine sedeža se prepričajte, da so vsi pritrdilni elementi pravilno zaprti.

# NEGA IN VZDRŽEVANJE

Za ohranjanje vozička v dobrem stanju je pomembno, da ga redno vzdržujete z nekaj preprostimi ukrepi. Občasno se prepričajte, da so zglobi in pregibi v dobrem stanju. Če slišite hreščanje ali začutite napetost, lahko voziček peljete v lokalno trgovino za kolesa, kjer ga lahko podmažejo. Vsa popravila lahko izvajate le pooblaščenim trgovcem.

## PRANJE

### Tkanina sedeža

- Tkanino sedeža lahko operete ročno s programom hladnega pranja z blagim detergentom.
- Kovinski okvir in PE-plošče pred pranjem odstranite s sedeža.
- Ne uporabljajte topil ter jedkih ali abrazivnih čistil.
- Da zmanjšate krčenje tkanino ponovno napnite na okvir, da se osuši.
- Tkanine ne stiskajte, likajte, čistite v čistilnici, sušite v sušilniku in ne ožemajte.
- Če morate prekrivalo sedeža zamenjati, uporabljajte le dele od pooblaščenega trgovca družbe Baby Jogger. Le pri njih je bila varnost zagotovo preverjena in so narejeni tako, da se prilagajajo temu sedežu.

### Plastični/kovinski deli

- Obrišite jih z blagim milom in toplo vodo.
- Delov mehanizma za zlaganje sedeža ali zavor ne smete odstraniti, razstaviti ali spremeniti.

### Nega koles

- Kolesa očistite z vlažno krpo. Povsem jih osušite z mehko brisačo ali krpo.

## SHRANJEVANJE

- Zaradi sonca lahko tkanina obledi, kolesa pa se izsušijo, zato lahko s shranjevanjem v zaprtih prostorih podaljšate lep videz vozička.
- NE shranjujte ga zunaj.
- Voziček mora biti suh, preden ga za dlje časa shranite.
- Voziček vedno shranjujte v suhem okolju.
- Voziček shranjujte na varnem, ko ga ne uporabljate (tj. kjer se z njim ne morejo igrati otroci).
- Na voziček NE polagajte težkih predmetov.
- Vozička NE shranjujte poleg neposrednega vira vročine, kot je radiator ali ogenj.

# Omejena doživljenjska garancija družbe Baby Jogger

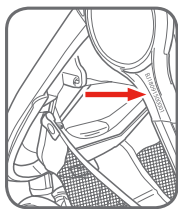
Družba Baby Jogger daje doživljenjsko jamstvo, da okvir nima tovarniških napak. Tovarniške napake med drugim vključujejo zlom zvarov in poškodbo cevi okvira. Tekstil ali mehki stranski materiali in vsi drugi sestavni deli imajo enoletno garancijo od dneva nakupa (razen cevi in kolesa). Za uveljavljanje garancijskih zahtevkov je treba predložiti dokazilo o nakupu; garancija se podaljša le originalnemu kupcu.

TA GARANCIJA NE KRIJE:

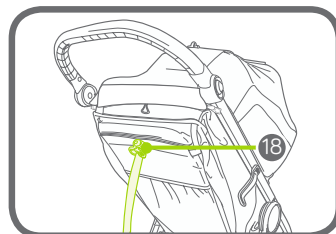
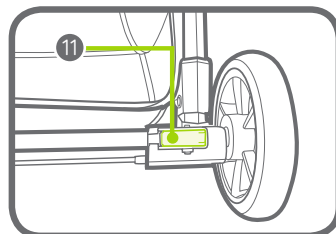
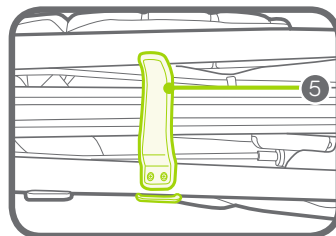
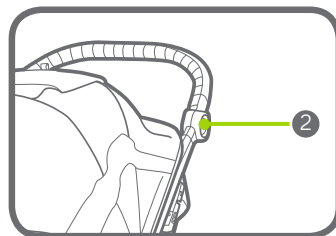
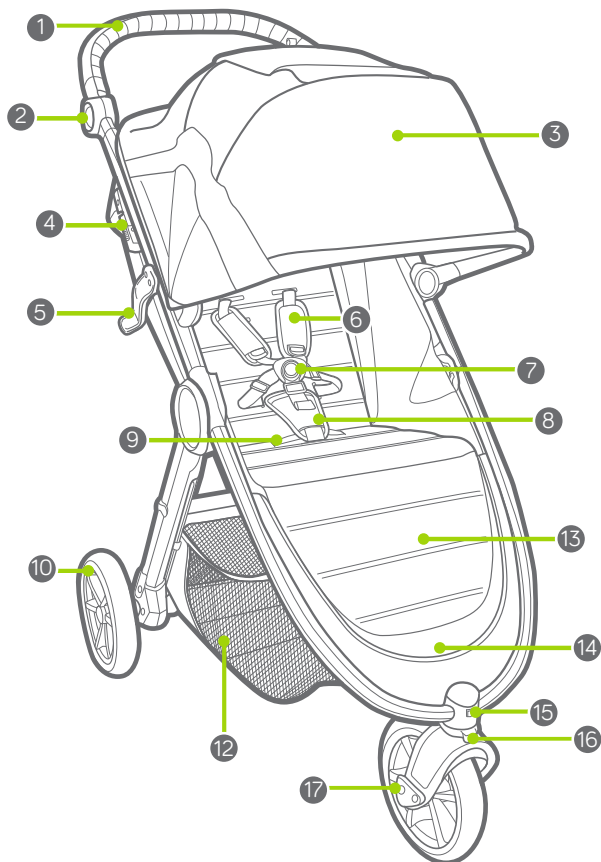
- običajne obrabe
- korozije ali rje
- nepravilnega sestavljanja ali nameščanja, delov tretjih strank ali opreme, ki ni združljiva z izvirno zasnovo vozička
- nenamernega ali namernega poškodovanja, neprimerne uporabe ali zanemarjanja ter uporabe na stopnicah ali tekočih stopnicah
- komercialne uporabe
- nepravilnega shranjevanja/nege

Ta garancija izrecno izključuje zahtevke za posredno, nezgodno ali posledično škodo. Implicirano jamstvo za možnost prodaje ali primernost za določen namen je v skladu z navedenim garancijskim obdobjem za ta model v času nakupa. V nekaterih državah ni dovoljeno izključevati ali omejevati nezgodne ali posledične škode, zato te omejitve ali izključitve za vas morda ne veljajo. Ta garancija vam daje določene zakonske pravice, morda pa imate tudi druge pravice, ki se med državami razlikujejo. Če želite izvedeti več o svojih zakonskih pravicah v svoji državi, se posvetujte lokalnim ali državnim predstavnikom za pravice potrošnikov ali z državnim pravobranilcem.

Če vaš voziček ni bil kupljen v Združenih državah Amerike, se obrnite na distributerja v svoji državi, ki vam je najbližji. Njihove kontaktne informacije lahko najdete na spletni strani na <http://www.babyjogger.com/retailers/#international>. Pri garancijskih zahtevkih zunaj države, v kateri je bil izdelek kupljen, lahko nastanejo potni stroški.



OPOMBA: Pri stiku z distributerjem izdelkov Baby Jogger v zvezi z vozičkom imejte pripravljeni serijsko številko vozička. Najdete jo pod pestom na zunanji strani zadnjih nog.



- |   |                                     |    |                              |
|---|-------------------------------------|----|------------------------------|
| 1 | Handtag                             | 10 | Bakhjul                      |
| 2 | Knapp för fällning av styrhandtaget | 11 | Frigöringsknapp för bakhjul  |
| 3 | Sufflett                            | 12 | Förvaringskorg               |
| 4 | Parkeringsbroms                     | 13 | Benstöd                      |
| 5 | Automatisk lås                      | 14 | Fotutrymme                   |
| 6 | Seldynor                            | 15 | Frigöringsknapp för framhjul |
| 7 | Selspänne                           | 16 | Svivel/Lås                   |
| 8 | Dyna till grenbälte                 | 17 | Framhjul                     |
| 9 | Hopfällningsbälte                   | 18 | Rem för sitslutning          |

## VARNING

Viktigt – Läs noggrant och spara för framtida bruk.  
Ditt barns säkerhet kan äventyras om du inte följer dessa anvisningar.

### VARNING

- Lämna aldrig barnet utan uppsikt.
- Använd alltid bältessystemet.
- Denna produkt är inte lämplig för att springa eller åka inlines med.
- Se till att alla låsanordningar går i lås innan du använder vagnen.
- För att undvika skada, se till att barnet är ur vägen när du faller ut och ihop denna produkt.
- För att förhindra skada, ta bort barnbrickan eller frontbygeln när du faller ihop eller ut sittvagnen.
- Låt inte barnet leka med denna produkt.

### EXTRA SÄKERHETSINFORMATION

- Strollern rymmer ett barn. Låt ALDRIG fler än ett barn åt gången åka i strollern.



max 22 kg

- Sitsen är avsedd för ett barn från födseln upp till 22 kg.
- Rekommenderad totalvikt för denna stroller är 28 kg, 22 kg på sitsen, 1 kg i fickan bakom sitsen och 4,5 kg i korgen. En för tung belastningsvikt kan medföra att strollern blir instabil och farlig att använda.

- För bilstolar som används med ett chassi ersätter denna vagn inte en spjålsäng eller säng. Om ditt barn behöver sova ska det placeras i en lämplig liggvagn, spjålsäng eller säng.
- All belastning på styrhandtaget och/eller på ryggstödet baksida och/eller på strollers sidor påverkar vagnens stabilitet.
- När nyfödda barn sitter i strollern rekommenderar vi att sitsen alltid är bakåtfärd så långt som möjligt.
- Lås bromsarna innan du placerar eller lyfter upp barnet ur vagnen och närhelst strollern inte är i rörelse.
- Se till att bromsen är ordentligt aktiverad genom att försöka flytta strollern något fram och tillbaka.
- Strollern är inte avsedd att användas vid transport av barn uppför eller nedför trappor eller rulltrappor. Skador som i dessa fall uppstår på strollern omfattas inte av garantin.
- Tillbehör som inte är godkända av Baby Jogger får inte användas.
- Håll uppsikt över bilar – utgå aldrig från att en bilförare kan se dig och ditt barn.
- Passageraren ska sitta ned (barn får inte stå upp i strollern).
- Använd endast reservdelar som levereras eller är godkända av Baby Jogger.

**RAM**

- 1 Packa upp strollerramen ur kartongen och lägg hjulen åt sidan. Lås upp stollern genom att dra i förvaringslåsspaken.
  - 2 Vik ut stollern genom att dra styrhandtaget utåt från ramen. Lyft sedan handtaget bort från sätet. Stollern låser fast och ett klick hörs.
  - 3 Placera stollern i upprätt position.
- ⚠️ WARNING!** Se till att alla låsmekanismer är inkopplade före användning.

**FRAMHJUL**

- 4 Installation
  - Lägg stollern med baksidan nedåt så att handtaget vilar mot golvet.
  - Fäst framhjulet genom att låta det glida på framhjulsmonteringen tills det klickar fast. Dra försiktigt i framhjulet för att kontrollera att det sitter säkert.
- 5 Borttagning
  - Dra försiktigt ut framhjulet från monteringen medan du trycker på framhjulets frigöringsknapp.

**SVIVELFUNKTION**

- 6 Tryck ner svivellåsknappen och dra svivellåset åt vänster för att låsa framhjulsmonteringen i fast läge för långa promenader med stollern.
  - 7 Tryck ner svivellåsknappen och dra svivellåset åt höger för att göra framhjulen svängbara.
- ⚠️ WARNING!** Lås framhjulet i fast läge när du placerar barnet i eller lyfter det ur stollern. Även om framhjulet på stollern går att låsa, är den inte avsedd för jogging eller träning.

**BAKHJUL**

- 8 Installation
  - Rikta in bakhjulsaxeln mot hjulmonteringen på stollerramen och sätt den i hjulmonteringen tills den låser fast. Ett klickljud ska höras.
  - Dra försiktigt i bakhjulet för att kontrollera att det sitter säkert.

**9 Borttagning**

- Dra försiktigt ut bakhjulet från hjulmonteringen medan du trycker ned hjulets frigöringsknapp.

**BROMS**

- 10 Låsa bromsarna: dra försiktigt upp bromsspaken till upprätt läge tills den klickar fast.
- 11 Släppa bromsarna: kläm ihop de grå filkarna och dra spaken mot dig. Skjut bromsspaken nedåt tills den är parallell med ramen.

- ⚠️ WARNING!** Lås bromsarna innan du placerar barnet i eller lyfter det ur stollern och närhelst stollern inte är i rörelse.

**SUFFLETT**

- 12 Montera suffletten på ramen genom att skjuta ned suffletten i ett av de två monteringsfästena. Avlägsna suffletten genom att dra upp den ur fästena.

OBS! När du använder en City Go-bilbarnstol från Graco eller en Britax-bilbarnstol måste suffletten sitta i de övre monteringsfästena. När andra bilbarnstolsmodeller används måste suffletten tas bort.

- 13 Sätt fast de två snäppfästena på stollerns ram.
- 14 Använd blytlåset för att fästa sitsens baksida i överdelen på suffletten. Fäst de två fästremarna på sufflettens sida.
- 15 Dra framåt för att öppna suffletten och tryck bakåt för att stänga den.
- 16 Det finns två fönster på suffletten, ett på sufflettens ovansida och ett mot baksidan. Öppna fönstren genom att rulla ihop solskydden bakåt och fästa dem med resårbandet och knappen.

**HANDTAG**

- 17 Ställ handtaget i ett av de 6 möjliga lägena genom att trycka på frikopplingsknapparna på vardera sida av handtaget och vrid uppåt eller nedåt till önskat läge.

**JUSTERA SÄKERHETSSELEN**

- 18 Från sitsryggen lossar du fästremsan och öppnar fickan där fyrkantsstoppert i plast finns. Vrid på stopperen och för den genom öppningarna i PE-brädan och sitstyget.

- 19 Sätt tillbaka stopperen i sitsöppningen närmast barnets axlar. För tillbaka genom sitstyget och PE-plattan. Ryck i remmen för att kontrollera att stopperen är låst. Upprepa på båda sidorna.

**⚠ VARNING!** Undvik allvarliga personskador på grund av att barnet faller eller glider ut. Justera och fäst alltid säkerhetssele ordentligt.

**⚠ VARNING!** Använd alltid grenremmen i kombination med midjebältet.

- 20 Dra upp seldynorna för att komma åt plastledaren på remmen.  
21 Håll i plastledaren och dra remmen för att dra åt eller lossa.

**ANVÄNDA SÄKERHETSSELEN**

- 22 Sätt sidoremspannet i selspannet på båda sidorna.  
23 Sätt den hopsatta selet och sidoremspannen i sidorna på grenspannet.  
24 Tryck på knappen på grenspannet vid frigöring.

**FÄLLA UPP SITSEN**

- 25 Tryck på klämman bakom sätet och skjut sätet nedåt till önskad lutning.  
26 Dra ned sitsen på båda sidorna för att matcha klämmans position. Utför stegen i omvänd ordning för att föra tillbaka sätet till uppfälld position.

**⚠ VARNING!** När du justerar stollerns sits ska du se till att barnets huvud,

armar och ben är fria från rörliga sitsdelar och stollerns ram.

- 27 Öppna ventilationsöppningen genom att rulla ihop sitsens bakre tyg och fästa det med resårbandet och knappen.

**BENSTÖD**

- 28 När du vill använda benstödet ska du lyfta upp den främre delen av sitsdynan.  
29 Vrid sedan ut stödarmen sänk ned sitsdynan. Lås stödarmen.  
30 Utför stegen i omvänd ordning när du vill sänka ned benstödet.

**HOPFÄLLNING**

- Lyft upp ditt barn ur sitsen.
- Frigör framhjulens svivellås.
- Ta bort alla tillbehör och alla objekt från korgen.

**⚠ VARNING!** För att förhindra skada, ta bort barnbrickan eller frontbygeln när du faller ihop eller ut sittvagnen.

- 31 Tryck på knapparna på ramens båda sidor.  
Vrid handtaget uppåt.  
32 Sätt pekfingeret i den lilla ögla, dra hopfällningshandtaget uppåt och låt ramen falla ned.  
33 Kontrollera att den automatiska låsspaken klickar fast.  
34 Placera stollern i upprätt stående läge.

**BORTTAGNING AV KORGEN**


- 35 Lossa de två snäppfästena på stollerns framsida och dra ut remmarna från fotutrymmet.  
36 Lyft av korgen från kroken.  
37 Lyft av den övre delen av korgen från flikarna på båda sidor av ramen på stollerns baksida.  
38 Lossa remmen från C-klämmorna på båda sidor av ramen.

**AVLÄGSNA SITSDYNAN**

- 39 Vänd stollern uppochner så att du ser sitsens undersida.

A Lossa de två fästremmorna och



- dra ut dem ur stollerramen.
- B Lossa fästremsen och dra ut den genom sidan på stollerramen.
  - C Skruva upp den högra karbinhaken och dra ut remmen från sitsdynan.
- 40 Vänd tillbaka sitsen så att den står på hjulen. Dra sätets tyg uppåt och från knapparna.
- 41 Börja nederst och dra ut sitsdynan från båda sidor av stollerramen.
- 42 Dra sedan ut sitsdynan från båda sidor av stollerramen via överdelen.
- 43 Lyft av sitsdynan.
- Utför stegen i omvänd ordning för att sätta tillbaka sitsdynan på ramen.
-  **VARNING!** Se till att alla fästen är ordentligt stängda/låsta när du sätter tillbaka sitsdynan.

# SKÖTSEL OCH UNDERHÅLL

För att bibehålla gott skick på din stroller är det viktigt att utföra enkelt, regelbundet underhåll. Kontrollera emellanåt att lederna och fällytorna fortfarande är i gott skick. Om du hör något gnissel eller märker spänningar, kan du ta stollern till en lokal cykelaffär för att ge den extra smörjning. Alla reparationer ska endast utföras av en auktoriserad återförsäljare.

## TVÄTTNING

### Sitstygg

- Du kan handtvätta stollerns sits i kallt vatten med ett mildt tvättmedel.
- Var noga med att ta bort metallramen och PE-plattorna från sitsen före tvättningen.
- Använd inte lösningsmedel, kaustiksoda eller slipande rengöringsmaterial.
- För att minimera krympning kan du helt enkelt sätta tillbaka sitsen i ramen och låta den torka där.
- Undvika att pressa, stryka, kemtvätta, torktumla eller vrida tyget.
- Om sitsskydden måste bytas ut, bör du endast använda reservdelar från en auktoriserad Baby Jogger-återförsäljare. Dessa är de enda som är garanterat säkerhetstestade och utformade för att passa denna sits.

### Plast-/metalldelar

- Torka rent med hjälp av mild tvål och varmt vatten.
- Du får inte avlägsna, montera isär eller ändra någon del av sitsens fällmekanism eller bromsarna.

### Hjulunderhåll

- Hjulen kan rengöras med en fuktig trasa. De behöver sedan torkas av fullständigt med en mjuk handduk eller trasa.

## FÖRVARING

- Solljus kan bleka sitstyget och torka ut däckerna, så förvaring av stollern inomhus bevarar dess goda utseende.
- Förvara INTE utomhus.
- Tillsäkra att stollern är torr innan den läggs till förvaring under längre perioder.
- Förvara alltid stollern i en torr miljö.
- Förvara stollern på ett säkert ställe när den inte används (dvs där barn inte kan leka med den).
- Placera INTE tunga föremål ovanpå stollern.
- Förvara INTE stollern nära en direkt värmekälla såsom ett element eller eld.

# BABY JOGGERS BEGRÄNSADE LIVSTIDSGARANTI

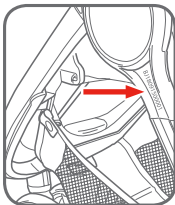
Baby Jogger garanterar att ramen är fri från tillverkningsdefekter under produktens livslängd. Tillverkningsdefekter innefattar men är inte begränsade till trasiga svetsfogar och skador på ramens rör. Textil eller mjuka sidomaterial och alla övriga komponenter har ett års garanti från inköpsdatum (förutom rör och däck). Inköpsbevis krävs vid ställandet av ett garantianspråk, och garantin gäller bara den ursprungliga köparen.

DENNA GARANTI OMFATTAR INTE:

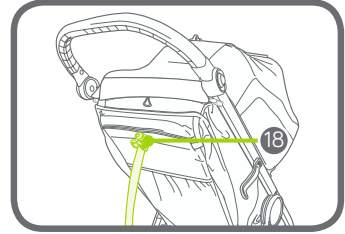
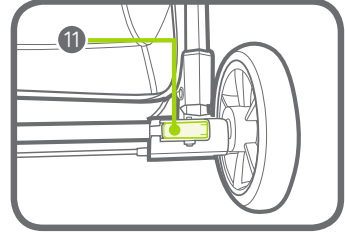
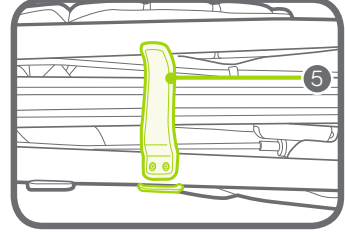
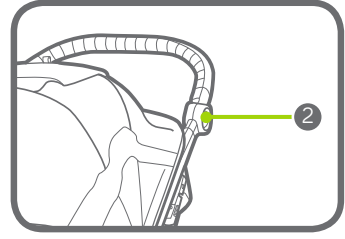
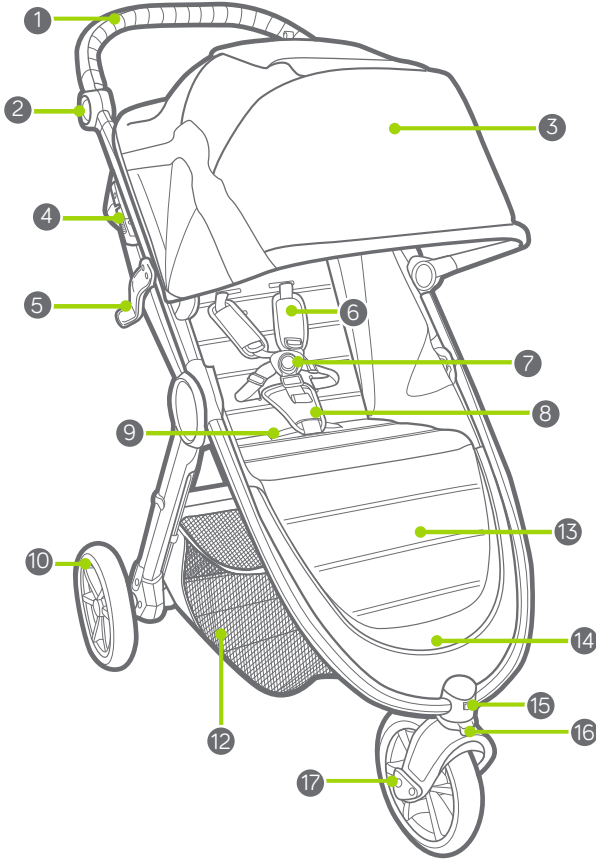
- normal nötning och slitning
- korrosion eller rost
- felaktig montering eller installation av tredjepartsdelar eller tillbehör som inte är kompatibla med originaldesignen
- skador som uppstått genom olyckshändelse eller oförutsett, genom våld eller försummelse eller användning i trappor eller rulltrappor.
- kommersiell användning
- olämplig förvaring/skötsel av enheten

Denna garanti exkluderar specifikt anspråk rörande indirekta, oförutsedda eller påföljande skador. De underförstådda garantierna om säljbarhet och lämplighet för ett särskilt syfte är enligt den specifika garantiperioden för denna modellenhet vid tidpunkten för inköpet. Vissa stater tillåter inte uteslutandet eller begränsningen av oförutsedda eller påföljande skador, så ovanstående begränsningar eller exkluderingar gäller eventuellt inte dig. Denna garanti ger dig specifika lagliga rättigheter och du kan också ha andra rättigheter vilka varierar från stat till stat. För att lära dig mer om vilka dina lagliga rättigheter är i din stat, bör du vända dig till dig din lokala eller statliga instans för konsumentfrågor eller statens justitiekansler.

Om din stroller har köpts utanför USA, bör du kontakta distributören i landet närmast dig. Deras kontaktinformation finns på vår webbplats på <http://www.babyjogger.com/retailers/#international>. Garantianspråk utanför landet där produkten köptes kan ge upphov till leveranskostnader.



OBS: Ha stollerns serienummer tillgängligt när du kontaktar Baby Jogger-distributören angående din stroller. Det sitter precis nedanför navet på utsidan av det bakre benet.



1 Gidon

2 Gidon Katlama Tuşu

3 Gölgelek

4 Park Etme Freni

5 Otomatik kilit

6 Kayış Yastıkları

7 Kayış Tokası

8 Kalça Şerit Sekmesi

9 Katlama Kayışı

10 Arka Teker

11 Arka Teker Serbest Bırakma Butonu

12 Saklama Sepeti

13 Bacak Desteği

14 Ayak Boşluğu

15 Ön Teker Serbest Bırakma Butonu

16 Mil/Kilit

17 Ön Teker

18 Koltuk Yaslama Kayışı

## ⚠ UYARI

Önemli – Dikkatli bir şekilde okuyun ve ileride başvurmak üzere saklayın. Bu yönergeleri uygulamazsanız, çocuğunuzun güvenliği etkilenebilir.

### UYARI

- Asla çocuğunuzu gözetimsiz bırakmayın.
- Daima emniyet kemeri sistemini kullanın.
- Bu ürün koşu veya paten için uygun değildir.
- Kullanmadan önce tüm kilitleme mekanizmalarının bağlı olduğundan emin olun.
- Yaralanmayı önlemek için bu ürünü açarken ve katlarken çocuğunuzun uzakta olduğundan emin olun.
- Bebek Arabasını açarken veya katlarken yaralanmaları önlemek için Çocuk Tepsisini veya Emniyet Çubuğunu çıkartın.
- Çocuğunuzun bu ürünle oynamasına izin vermeyin.

### EK GÜVENLİK BİLGİLERİ

- Bu bebek arabası tek kişiliktir. Bu bebek arabasında aynı anda birden fazla bebeğe ASLA izin vermeyin.



max 22 kg

- Bu koltuk ünitesi bir çocuk için doğumdan 22 kg ağırlığa ulaşana kadar uygundur.
- Bu bebek arabası için önerilen toplam ağırlık yükü 28 kg'dır. 22 kg koltukta, 1 kg koltuk arka cebinde ve 4.5 kg sepette. Aşırı yük, dengesiz ve zararlı bir sonuç doğurabilir.

- Bu araç şasi ile beraber kullanılan araba koltukları için bir beşik veya yatak işlevi görmemektedir. Çocuğunuzun uyuması gerekirse uygun bir bebek arabası gövdesine, beşiğe ya da yatağa yerleştirilmelidir.
- Gidona ve/veya koltuk arkalığının arkasına ve/veya aracın yanlarına bağlanan herhangi bir yük aracın dengesini etkiler.
- Yeni doğanlar için daima koltuğun en yatık pozisyonunu kullanmanızı öneriyoruz.
- Çocuğunuzu arabaya koyup arabadan alırken veya bebek arabası hareket etmiyorken frenleri kilitleyin.
- Bebek arabasını azıcık geriye ve öne hareket ettirerek frenin düzgün bir şekilde etkinleştirdiğinizden emin olun.
- Bebek arabası, çocukları yürüten merdivenlerde taşımak amacıyla kullanılmamalıdır. Bebek arabasının gördüğü zarar, garanti kapsamında olmayacaktır.
- Baby Jogger onayına sahip olmayan aksesuarlar kullanılmamalıdır.
- Arabalara dikkat edin - bir sürücünün sizi veya çocuğunuzu gördüğü varsayımında bulunmayın.
- Arabadaki çocuk, oturur halde olmalıdır (ayakta durmamalıdır).
- Yalnızca Baby Jogger tarafından verilen veya onaylanan yedek parçaları kullanın.

## GÖVDE

- 1 Bebek arabası gövdesini kutudan çıkarın ve tekerlekleri kenara koyun. Saklama bölümü kilidi Kolunu çekerek bebek arabasının kilidini açın.
- 2 Gidonu alt gövdeden üste doğru çekerek bebek arabasını açın. Gidonu koltuktan üste doğru kaldırın. Bebek arabası yerine oturacak ve bir klik sesi duyacaksınız.
- 3 Bebek arabasını üst konuma getirin.

**⚠ UYARI:** Kullanım öncesinde tüm kilitleme cihazlarının kilitli olduğundan emin olun.

## ÖN TEKER

### 4 Kurulum

- Bebek arabasını, gidonu yerde olacak şekilde arkaya yatırın.
- Ön Teker, tık sesi çıkana dek ön teker yerine iterek takın. Olması gerektiği gibi takılıp takılmadığını kontrol etmek için Ön Teker hafifçe çekin.

### 5 Çıkarma

- Ön teker serbest bırakma butonuna basarken, Ön Teker ön teker yerinden hafifçe çekerek çıkarın.

## MİL ÖZELLİĞİ

- 6 Mil Kilidi butonuna basın ve uzun süreli bir gezintiye yönelik olarak, ön teker düzeneğini sabit bir konuma getirmek için Mil Kilidini sola kaydırın.
- 7 Mil Kilidi butonuna basın ve ön teker düzeneğinin serbestçe dönmesi için Mil Kilidini sağa kaydırın.

**⚠ UYARI:** Çocuğu arabaya koyup arabadan alırken, ön tekeri sabit bir konumda kilitleyin. Bebek arabasının ön tekeri kilitlenebilir olsa da, hafif tempo koşu veya egzersiz için uygun değildir.

## ARKA TEKERLER

### 8 Kurulum

- Arka Teker eksenini, bebek arabası gövdesi üzerindeki tekerlek girişleriyle aynı hizaya getirin ve yerine takılana dek itin. Klik sesi duyacaksınız.

- Olması gerektiği gibi takılıp takılmadığını kontrol etmek için Arka Teker hafifçe çekin.

### 9 Çıkarma

- Teker serbest bırakma butonuna basarken, arka tekeri yerinden hafifçe çekerek çıkarın.

## FREN

10 Frenleri Kilitlemek İçin: Fren Kolunu yerine tık sesiyle gelene dek hafifçe yukarı çekin.

11 Frenleri Serbest Bırakmak İçin: Gri bölümleri yerlerine itin ve kolu kendinize çekin. Gövdeyle paralel hale gelene dek Fren Kolunu aşağı itin.

**⚠ UYARI:** Çocuğunuzu arabaya koyup arabadan alırken veya bebek arabası hareket etmiyorken frenleri kilitleyin.

## GÖLGELİK

12 Gölgeği iki yerleştirme bağlantısına geçirerek gövdeye yerleştirin. Çıkartmak için, gölgeği yerleştirme bağlantılarından çekin.

NOT: City Go/Graco ya da Britax araba koltuğu kullanırken, gölgelik üst konumda olmak zorundadır. Diğer araba koltukları için gölgelik kaldırılmalıdır.

13 İki çıkıcı bebek arabası gövdesine takın.

14 Koltuğun arkasını gölgeğin üzerine fermuarlayın.

2 bağlama şeridini gölgeğin yanlarına takın.

15 Gölgeği açmak için öne, kapatmak için geriye çekin.

16 İki adet gölgelik penceresi vardır, biri yukarıda, diğeri geride. Bunları kullanmak için perdeyi toplayıp esnek kumaş ve buton ile bağlayın.

## KOL

17 Kolu 6 kullanım pozisyonundan birine değiştirmek için, her iki tarafta da bulunan kol ayırma düğmelerini sıkın

ve kolu yeni pozisyona gelecek şekilde yukarı veya aşağı döndürün.

### EMNİYET KAYIŞININ AYARLANMASI

- 18 Koltuğun arka kısmından bağlama şeridini çözün ve plastik kare durdurucunun yerini belirlemek için cebi açın. Durdurucuyu döndürün ve PE panosundaki ve koltuk kumaşındaki açıklıklardan geçirin.
- 19 Durdurucuyu, çocuğun omuzlarına en yakın açıklığa tekrar takın. Koltuk kumaşı ve PE panosundan geriye doğru geçirin. Durdurucunun kilitli olduğundan emin olmak için kemeri çekin. Her iki tarafta da işlemi tekrarlayın.

**⚠️ UYARI:** Düşme veya kayma yoluyla gerçekleşebilecek ciddi yaralanmaları önleyin. Emniyet kayışını her zamana olması gerektiği gibi ayarlayıp bağlayın.

**⚠️ UYARI:** Kasık kemerini her zaman omuz kemerleri ve bel kemeri ile birlikte kullanın.

- 20 Kemer üzerindeki plastik kılavuza erişmek için Kayış Yastıklarını yukarı kaydırın.
- 21 Plastik kılavuzu tutun ve sıkmak veya gevşetmek için kemeri çekin.

### EMNİYET KAYIŞININ KULLANIMI

- 22 Yan kemer tokasını, her iki tarafta da kayış tokasına yerleştirin.
- 23 Bağlamış kayış ve yan kemer tokalarını kasık tokasının yan kısımlarına yerleştirin.
- 24 Serbest bırakmak için kasık tokası üzerindeki butona basın.

### KOLTUĞUN ARKAYA YATIRILMASI

- 25 Koltuğun arkasındaki kiskacı sıkın ve istenen yatırma pozisyonuna kaydırın.
- 26 Koltuğu kısaç konumuna getirecek şekilde aşağıya çekin. Dik konuma geri getirmek için adımları tersinden uygulayın.

**⚠️ UYARI:** Bebek arabası koltuğunu ayarlarken çocuğun başı, kolları

ve bacaklarının hareketli koltuk parçaları ile araba gövdesine temas etmediğinden emin olun.

- 27 Daha fazla havalandırma için, koltuk arka kanadını toplayıp esnek kumaş ve buton ile bağlayın.

### BACAK DESTEĞİ

- 28 Bacak desteğini kullanmak için koltuk sekmesinin önünü kaldırın.
- 29 Destek kolunu dışa doğru çevirin ve koltuk sekmesini indirin. Destek kolunu kilitleyin.
- 30 Bacak desteğini indirmek için adımları tersine takip edin.

### KATLAMA

- Çocuğunuzu koltuktan alın.
  - Ön teker mil kilitlerini devre dışı bırakın.
  - Remove all attachments and all items from basket.
- 31 Gövdenin iki yanındaki butonlara basın.  
Kolu yukarı çevirin.
- 32 İşaret parmağınızı ilmek içine geçirin, "Pull to Fold" (Katlamak için Çekin) katlama kolunu çekin, gövdenin aşağı çökmesini sağlayın.
- 33 Otomatik kilit kolunun yerine tık sesiyle girdiğinden emin olun.
- 34 Bebek arabasını dik bir şekilde ayakta konuma getirin.

### SEPETİN ÇIKARILMASI

- 35 Bebek arabasının ön tarafından iki kancayı çözün ve ayak boşluğunun dışına doğru kayışları çekin.
- 36 Sepeti kancadan çıkartın.
- 37 Arka taraftan, sepetin üstünü gövdenin iki yanındaki sekmeden yukarıya doğru kaldırın.
- 38 Kayışı gövdenin iki tarafındaki C kiskacından çıkartın.

### KOLTUK SEKMESİNİN ÇIKARTILMASI

- 39 Koltuğun altına erişmek için bebek arabasını ters çevirin.
- A 2 Bağlama şeridini çözün ve bebek arabası gövdesinin dışına çekin.

- B Baęlama řeridini özün ve bebek arabası gövdesinin yanlarından dıřarı doęru ekin.
- C Sol karabiner kopasını özün ve kayıřı koltuk minderinin dıřına ekin.
- 40 Koltuęu tekerlerinin üzerine geri evirin. Koltuk kumařını yukarıya, butonların üzerine gelmeyecek řekilde kaldırın.
- 41 Alt taraftan bařlayarak koltuk sekmesini bebek arabası gövdesinin iki yanından ıkartın.
- 42 Koltuk sekmesini üst taraftan bebek arabası gövdesinin iki yanından ıkartın.
- 43 Koltuk sekmesini ıkarın. Koltuk sekmesini gövdeye yeniden oturtmak için adımları tersine takip edin.
- ⚠ UYARI:** Koltuk sekmesini yeniden oturturken bütün sabitleyicilerin düzgünce kapandıęından emin olun.



# BAKIM

Bebek arabasının ömrünü uzun tutmak için basit, düzenli bakımlar gerçekleştirmek önemlidir. Zaman zaman, bağlantı yerlerinin ve katlama alanlarının hala iyi durumda olduğundan emin olun. Eğer gıcırtı duyarsanız veya gerilim hissederseniz, yağlama için bebek arabanızı yakındaki bir bisikletçiye götürebilirsiniz. Tüm onarımlar, yetkili bir satıcı tarafından yapılmalıdır.

## YIKAMA

### Koltuk Kumaşı

- Bebek arabası koltuğunuzu soğuk su ve hafif bir deterjan ile elde yıkayabilirsiniz.
- Yıkamadan önce metal gövdeyi ve PE panolarını çıkardığınızdan emin olun.
- Solventleri, yakıcı veya aşındırıcı temizlik malzemelerini kullanmayın.
- Çekmeyi en aza indirmek için, koltuğu gövdeye tekrar takarak kurumaya bırakın.
- Kumaşı preslemeyin, ütölemeyin, kuru temizlemeye göndermeyin, tamburla kurutmayın veya döndürerek sıkmayın.
- Eğer koltuk kaplamalarının değişmesi gerekiyorsa, sadece Baby Jogger Yetkili Satıcısından alınan parçaları kullanın. Emniyet testinden geçtiği garanti altına alınmış ve bu koltuğa uyacak şekilde tasarlanmış tek koltuklar, bu koltuklar.

### Plastik/Metal Parçalar

- Az miktarda sabun ve ılık suyla silerek temizleyin.
- Koltuk katlama mekanizması veya frenlerin herhangi kısmını çıkarmamalı, parçalarına ayırmamalı veya değiştirmemelisiniz.

### Teker Bakımı

- Tekerlekler, nemli bir bez kullanılarak temizlenebilir. Bir yumuşak havlu veya bezle tamamen kurutulmaları gerekir.

## SAKLAMA

- Güneş ışığı, koltuk kumaşının rengini soldurabilir ve tekerleri kurutabilir, bu yüzden bebek arabasını iç mekanda saklamak, iyi görüntüsünü daha uzun süre koruyacaktır.
- Dışarıda SAKLAMAYINIZ.
- Uzun süre boyunca saklamadan önce bebek arabasının kuru olduğundan emin olun.
- Bebek arabasını her zaman kuru bir ortamda saklayın.
- Kullanılmadığında, bebek arabasını güvenli bir yerde (çocukların oynayamayacağı bir yerde) saklayın.
- Bebek arabasının üst kısmına ağır nesnelere YERLEŞTİRMEYİNİZ.
- Bebek arabasını radyatör veya ateş gibi direkt bir ısı kaynağının yakınında SAKLAMAYINIZ.

# BABY JOGGER'IN SINIRLI HAYAT BOYU GARANTISI

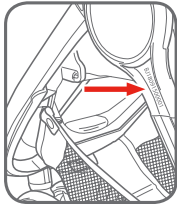
Baby Jogger, ürünün ömrü boyunca gövdenin üretim hatalarından yoksun olduğunu garanti etmektedir. Üretim hataları arasında, kaynakların kırılması ve gövde tüpü hasarı bulunmaktadır; fakat bununla sınırlı değildir. Tekstil ve yumuşak materyaller ve tüm diğer bileşenler (tüpler ve tekerler hariç), alım tarihinden itibaren bir yıl boyunca garanti altına alınacaktır. Bir garanti talebinde bulunmak için satın almaya dair kanıt gerekmektedir ve garanti, sadece orijinal alıcıya sağlanır.

BU GARANTİ AŞAĞIDAKİLERİ KAPSAMAZ:

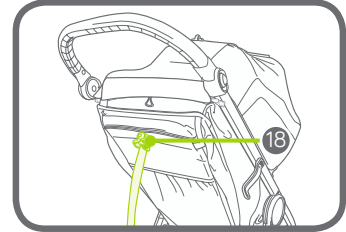
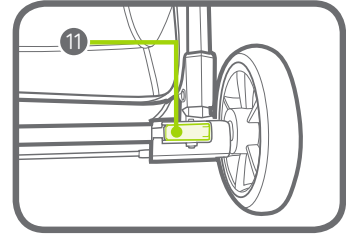
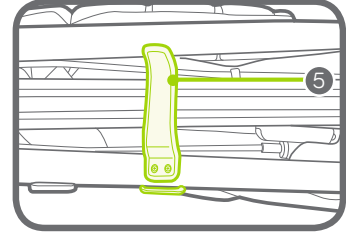
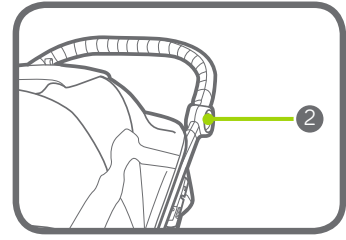
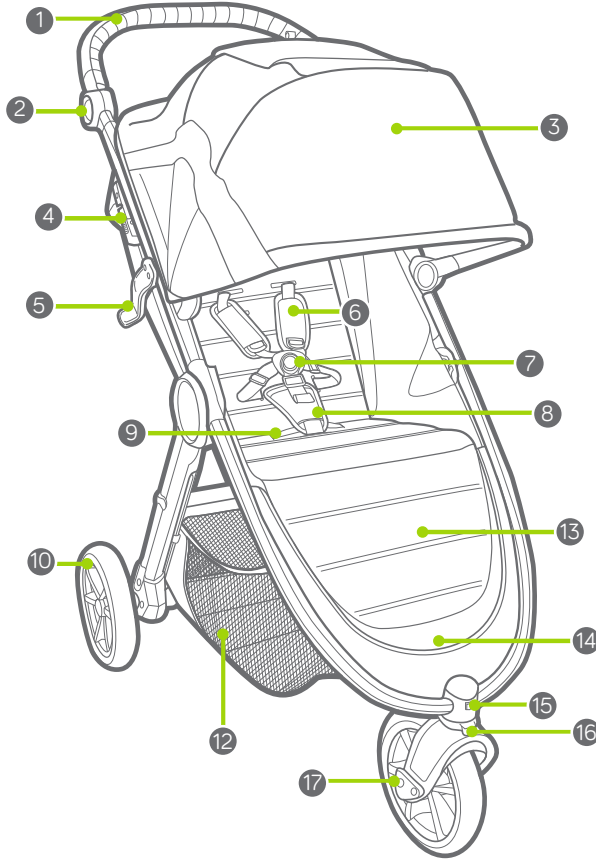
- Normal yıpranma
- Korozyon veya pas
- Yanlış montaj veya orijinal tasarımla uyumsuz üçüncü taraf parçalarının veya aksesuarlarının takılması
- Kazara veya kısıtlı olarak zarar verilmesi, kötü kullanım veya ihmal veya yürüyen merdivenlerde kullanım.
- Ticari kullanım
- Ünitenin yanlış saklanması/bakımı

Bu garanti; özellikle direkt olmayan, kazara gerçekleşen veya dolaylı hasarları kapsamamaktadır. Ticarete elverişlilik ve belirli bir amaca uygunluğa yönelik garantiler, bu model için satın alma tarihindeki özel garanti süresine göredir. Bazı eyaletler kazara veya dolaylı hasarların dışarıda bırakılmasına veya sınırlandırılmasına izin vermemektedir; bu yüzden üstteki sınırlamalar veya dışlamalar sizin için geçerli olmayabilir. Bu garanti size belirli yasal haklar sağlamaktadır ve ayrıca, eyalete göre değişen farklı haklara da sahiptir. Yaşadığınız yerdeki yasal haklarınızı öğrenmek için, yerel veya genel tüketici işleri ofisine veya Savcılığa danışın.

Eğer bebek arabası Amerika Birleşik Devletleri dışında satın alınmışsa, size en yakın ülkenin dağıtıcısıyla iletişime geçin. Bu dağıtıcıların iletişim bilgileri, <http://www.babyjogger.com/retailers/#international> adresinde bulunabilir. Ürünün satın alındığı ülkenin dışarıdaki garanti talepleri, nakliye masraflarına yol açabilir.



NOT: Bebek arabanızla alakalı olarak Baby Jogger dağıtıcınızla iletişim kurarken, lütfen bebek arabasının seri numarasını hazır bulundurun. Bu bilgiyi arka ayağın dışındaki göbeğin altında bulabilirsiniz.



- |                          |    |                          |   |
|--------------------------|----|--------------------------|---|
| العجلة الخلفية           | 10 | المقود                   | 1 |
| زر تحرير العجلة الخلفية  | 11 | زر طي المقود             | 2 |
| سلة التخزين              | 12 | المظلة                   | 3 |
| داعم الساق               | 13 | فرملة الانتظار           | 4 |
| فتحات مستوى القدم        | 14 | قفل التخزين              | 5 |
| زر تحرير العجلة الأمامية | 15 | بطانة حمالة الأمان       | 6 |
| القفل الدوار             | 16 | إبزيم حمالة الأمان       | 7 |
| العجلات الأمامية         | 17 | وسادة الحزام المُتَشعَّب | 8 |
| شريط اتكاء المقعد        | 18 | الشريط المطوي            | 9 |

# تحذير!

- هام - اقرأ هذه التعليمات بعناية قبل الاستخدام واحتفظ بها لتكون مرجعاً لك في المستقبل. قد تتأثر سلامة طفلك إذا لم تتبع هذه التعليمات.
- لا يترك الطفل دون مراقبة.
- استخدم دائماً نظام التثبيت.
- هذه المُنتج غير مناسبة للتسارع، الركض ، التزحلق أو التزلج.
- تأكد من أن كل أجهزة القفل مُعشقة قبل الاستخدام.
- تأكد من إبقاء الأطفال بعيداً عند القيام ببسط وطي هذا المُنتج لتجنب إلحاق الإصابة بهم.
- أزل صينية الطفل أو حاجز البطن الملحوق عند .
- طي أو فتح عربة الأطفال، لمنع حدوث إصابة لا تدع الأطفال يعثون بهذا المنتج.
- **معلومات السلامة الاضافية**
- يتسومعا هذه العبة ابلاة لطفل واحد فقط. لا
- تقم أبدا بوضع أكثر من طفل في وقت واحد على هذه العربة.
- سوف يؤثر أي تحميل يُعلق على المقبض و/أو الجزء الخلفي من مسند الظهر و/أو على جانبي العربة على استقرارها.
- لا يحل هذا المُنتج محل السرير أو السرير النقال، بالنسبة لمقاعد الأطفال التي تُستخدم جنباً إلى جنب مع الهيكل. ينبغي وضع طفلك في عربة أطفال أو سرير نقال أو سرير مُناسب عندما يكون بحاجة إلى النوم
- للأطفال حديثي الولادة.
- اقل الفرامل قبل وضع أو إزالة طفلك من عربة الأطفال عندما تكون ثابتة.
- تأكد من تعشيق الفرامل بشكل صحيح عن طريق تحريك العربة برفق ذهاباً وإياباً.
- ليس من المفترض استخدام عربة الأطفال هذه لنقل الأطفال للصعود أو الهبوط من الدرج أو السلالم المتحركة، لن يغطي الضمان الأضرار التي قد تلحق بعربة الأطفال جراء القيام بذلك.
- لا يجوز استخدام الملحقات غير المعتمدة من "Baby Jogger" قبل شركة بيبي جوغر احذر دائماً من السيارات - ولا تفترض أبدا أن هناك سائق بإمكانه رؤيتك ورؤية طفلك.
- ينبغي أن يظل الطفل جالساً في عربة الأطفال لا يسمح بالوقوف في عربة الأطفال.().
- استخدام فقط قطع الغيار الموردة أو المُعتمدة "Baby Jogger" من قبل شركة بيبي جوغر.



max 22 kg

- يُناسب المقعد طفل واحد من فترة الميلاد حتى وزن 22 كيلوجرام.
- إجمالي وزن الحمولة الموصى بها لهذه العربة 28كجم. 22 كجم في المقعد، و 1 كجم في الجيب الخلفي للمقعد و4.5 كجم في السلة. قد يسبب الوزن الزائد وجود حالة غير مستقرة خطيرة.

32 ادخل أصبع السبابة في الحلقة الصغيرة،  
واسحب مقبض الطي لأعلي "السحب للطي"،  
وقم بطي الإطار.

33 تأكد من استقرار ذراع قفل التخزين في مكانه.  
إزالة السلة

34 ثبت عربة الأطفال بشكل قائم في الموضع  
الثابت.

35 من أمام عربة الأطفال، حل 2 الإبزيمين  
واسحب الأشرطة بعيدًا عن القدم.

36 ارفع السلة من الخطاف.

37 من الجزء الخلفي، ارفع الجزء العلوي من  
السلة خارج العلامات الموجودة على جانبي  
الإطار.

38 أزل الشريط من المشبك "C" علا كلا جانبي  
الإطار.

إزالة وسادة المقعد

39 اقلب عربة الأطفال لكشف زر المقعد.

أ - حل 2 شريطي التثبيت واسحبهما خارج  
إطار عربة الأطفال.

ب - حل أشرطة الربط واسحبها خارج  
جانبي إطار عربة الأطفال.

ج - فك حلقة التسلق اليمنى واسحب  
الشريط خارج وسادة المقعد.

40 اقلب المقعد مرة أخرى على عجلاته. اسحب  
قماش المقعد لأعلى خارج الأزرار.

41 بدءًا من الجزء السفلي، حرك وسادة المقعد  
خارج إطار عربة الأطفال من كلا الجانبين.

42 من الجزء السفلي، حرك وسادة المقعد خارج  
إطار عربة الأطفال من كلا الجانبين.

43 أزل وسادة المقعد.

اعكس ترتيب الخطوات لإعادة تركيب وسادة  
المقعد في الإطار.

⚠️ **تحذير:** تأكد من إغلاق جميع أدوات التثبيت  
بشكل صحيح عند إعادة تركيب وسادة المقعد.

⚠️ **تحذير:** تجنب الإصابة الخطيرة جراء السقوط  
أو الانزلاق إلى الخارج. قم دائمًا بضبط  
وإحكام ربط أشرطة الأمان بشكل صحيح.

**تحذير:** استخدم دائمًا الحزام المُتَشعَب مع  
أحزمة الكتف وحزام الخصر.

20 حرك بطانات حمالة الأمان لأعلي للوصول  
إلى أداة التوجيه البلاستيكية الموجودة على  
الحزام.

21 ثبت أداة التوجيه البلاستيكية واسحب الشريط  
لإحكام ربطه أو إرخاءه.

استخدام حمالة الأمان

22 ادخل إبريم الحاملة الجانبي في إبريم الشريط  
الموجود على كلا الجانبين.

23 ادخل الحاملة المتصلة وأبازيم الشريط الجانبية  
في جانبي الإبزيم المُتَشعَب.

24 اضغط الزر الموجود على الإبزيم المتشعب  
للتحرير.

اتكاء المقعد

25 ثبت المشبك الموجود خلف المقعد، واسحبه  
لأسفل لوضع الاتكاء المرغوب.

26 اسحب المقعد لأسفل على الجانبين لتناسب  
موضع المشبك. اعكس الخطوات للعودة إلى  
الوضع العمودي.

27 للحصول على تهوية إضافية، اطوي غطاء  
ظهر المقعد وثبته باستخدام الأشرطة المطاطية  
والزر.

داعم الساق

28 لاستخدام داعم الساق، ارفع الجزء الأمامي من  
وسادة المقعد.

29 أدر ذراع الدعم واخفض وسادة المقعد. اقل  
ذراع الدعم.

30 لخفض ساق الدعم، اعكس ترتيب الخطوات  
أعلاه.

الطي

- قم بإزالة طفلك من المقعد.
- فك أقفال تدوير العجلة الأمامية.
- إزالة جميع المرفقات وكافة العناصر من  
السلة.

⚠️ **تحذير:** أزل صينية الطفل أو حاجز البطن  
الملحق عند طي أو فتح عربة الأطفال، لمنع  
حدوث إصابة.

31 اضغط على الزرارين الموجودين على جانبي  
الإطار.

## الإطار

- حرك برفق العجلة الخلفية خارج منصة تثبيت العجلة أثناء الضغط على زر تحرير العجلة.

## فرامل

- 10 لقفل الفرامل: اسحب برفق ذراع الفرامل إلى الوضع القائم حتى يستقر في مكانة.
- 11 لتحرير الفرامل: افرص العلامات رمادية واسحب الذراع نحوك. ادفع ذراع الفرامل لأسفل حتى يتحاذي مع الإطار.
- ⚠️ تحذير: اقل الفرامل قبل وضع أو إزالة طفلك من عربة الأطفال عندما تكون ثابتة.

## المظلة

- 12 ثبت المظلة في الإطار بواسطة زلق المظلة في واحدة من كئيفات التثبيت. لإزالة المظلة، أزلقها خارج منصات التثبيت.
- ملاحظة: يجب أن تكون المظلة في أعلى موضع، عند استخدام مقعد الأطفال طراز سيتي جو "City Go" / جريكو "Graco" أو بريتكس "Britax". يجب إزالة المظلة، لجميع مقاعد الأطفال الأخرى باستثناء الطرازات المذكورة أعلاه.
- 13 اغلق الإبريمين في إطار عربة الأطفال.
- 14 اسحب ظهر المقعد في اتجاه الجزء العلوي من الستارة. اربط أشرطة التثبيت 2 في جانب المظلة.
- 15 اسحب إلى الأمام لفتح المظلة، وادفع إلى الخلف لقفليها.
- 16 هناك نافذتين للمظلة، نافذة علوية وأخرى خلفية. لاستخدام النافذتين، ابسط حاجب الضوء لأعلى نحو الجزء العلوي وقم بتثبيتها بالأشرطة المطاطية والزر.

## ضبط حمالة الأمان

- 17 لتغيير المقبض إلى واحدة من مواضع الاستخدام الـ "6"، اضغط على أزرار تحرير المقبض الموجودة على كلا الجانبين وقم بالتدوير لأعلى أو لأسفل إلى الموضع الجديد.

## ضبط حمالة الأمان

- 18 حل وافتح الجيب لتحديد موقع أداة الإيقاف البلاستيكية المربعة الموجودة في ظهر المقعد. أدر أداة الإيقاف ومررها عبر الفتحات الموجودة في لوحة PE وقماش المقعد.
- 19 اعد تركيب أداة الإيقاف في فتحة المقعد الأقرب لكنتفي الطفل. مرر مرة أخرى إلى الخلف من خلال قماش المقعد و لوحة PE. اسحب الحزام لضمان إقفال أداة الإيقاف. كرر ذلك على كلا الجانبين.

- 1 أفرغ محتويات إطار عربة الأطفال من الصندوق وضع العجلات جانبًا.

افتح قفل عربة الأطفال عن طريق سحب ذراع قفل التخزين.

- 2 افتح عربة الأطفال بواسطة سحب المقود بعيدًا عن الإطار.

- 3 ستستقر عربة الأطفال في مكانها وستسمع صوت "تكة".

- ⚠️ تحذير: تأكد من أن كل أجهزة القفل مُعشقة قبل الاستخدام.

## العجلة الأمامية

## التركيب

- ضع عربة الأطفال على ظهرها بحيث يستقر المقود على الأرض.
- ثبت العجلة الأمامية عن طريق زلقها في منصة تثبيت العجلة حتى تستقر في مكانها.
- اسحب العجلة الأمامية برفق للتأكد من ربطها بشكل صحيح.

## الإزالة

- أزلق برفق العجلة الأمامية خارج منصة تثبيت العجلة الأمامية أثناء الضغط على زر تحرير العجلة الأمامية.

## ميزة التدوير

- 6 اضغط زر قفل التدوير لأسفل وحرك قفل التدوير إلى اليسار لقفل مجموعة العجلة الأمامية في الموضع الثابت للسير لمسافات طويلة.
- 7 اضغط زر قفل التدوير لأسفل وحرك قفل التدوير إلى اليمين للسماح بمجموعة العجلة الأمامية للدوران.

- ⚠️ تحذير: اقل العجلة الأمامية في الموضع الثابت عند وضع أو إزالة الطفل من عربة الأطفال. على الرغم من أن إمكانية انغلاق العجلة الأمامية لعربة الأطفال، إلا أنها غير مُعدة للاستخدام في أغراض الركض أو ممارسة التمارين الرياضية.

## العجلات الخلفية

## التركيب

- حاذي محور العجلة الخلفية مع منصة تثبيت العجلة الموجودة في إطار عربة الأطفال وادخله في منصة تثبيت العجلة حتى يستقر في مكانة. ستسمع صوت "تكة".
- اسحب العجلة الخلفية برفق للتأكد من تثبيتها بشكل صحيح.

## العناية والصيانة

### التخزين

- تخزين عربة الأطفال الخاصة بك داخل المنزل سيطيل من العمر الافتراضي لمظهرها الجيد، حيث يمكن لأشعة الشمس أن تزيل لون القماش وتجفف الإطارات.
- لا تقم بتخزين عربة الأطفال خارج المنزل.
- تحقق من تجفيف عربة الأطفال قبل تخزينها لفترات زمنية طويلة.
- قم دائماً بتخزين عربة الأطفال في بيئة جافة.
- خزن عربة الأطفال في مكان آمن عندما لا تكون قيد الاستخدام (بحيث لا يمكن للأطفال العبث فيها).
- لا تضع الأشياء الثقيلة على الجزء العلوي من عربة الأطفال.
- لا تخزن عربة الأطفال بالقرب من مصدر مباشر للحرارة مثل الرادياتير أو النار.

من المهم إجراء أعمال الصيانة البسيطة والمنتظمة للمحافظة على العمر الافتراضي للمقعد. تأكد من وقت لآخر أن الوصلات والمناطق القابلة للطي لا تزال في حالة جيدة. يمكنك أخذ عربة الأطفال الخاصة بك لمتجر دراجات محلي للقيام بإجراءات التشحيم إذا سمعت أي صرير أو شعرت بتوتر. ينبغي إجراء جميع الإصلاحات من قبل وكيل مُعتمد.

### الغسل

#### قمّاش المقعد

- يمكنك غسل قمّاش مقعد عربة الأطفال الخاصة بك في مغسلة وذلك في ماء بارد ومُطهر مخفف.
- تأكد من إزالة الإطار المعدني وألواح PE من المقعد قبل الغسل.
- لا تستخدم المذيبات، المواد الكاوية أو مواد التنظيف الكاشطة.
- قم بإعادة تركيب المقعد في الإطار ليُجفِى وذلك للحد من الانكماش.
- لا تقم بكى القماش أو تنظيفه بشكل جاف أو تشفيفه أو عصره.
- استخدم قطع الغيار المُعمّدة فقط من قبل وكيل ببيي غوجر "Baby Jogger" إذا كانت أغطية المقعد بحاجة لأن تُستبدل. تعد أغطية المقعد هذه الوحيدة المُختبرة والمُصممة خصيصاً لكي تناسب هذا المقعد بشكل آمن.

#### قطع الغيار المعدنية/البلاستيكية

- امسح عربة الأطفال بواسطة استخدام صابون مُخفف وماء دافئ.
- يجب ألا تقوم بإزالة، تفكيك أو تغيير أي جزء من أجزاء آلية طي المقعد أو الفرامل.

#### العناية بالعجلات

- يمكن تنظيف العجلات باستخدام قطعة مُبللة من القماش. وستكون بحاجة للتجفيف تماماً بمنشفة ناعمة من القماش.

## ضمان بيبي غوجر "Baby Jogger" المحدود مدي الحياة:

ضمان بيبي غوجر "Baby Jogger" المحدود مدي الحياة:  
تتعهد شركة بيبي غوجر "Baby Jogger" بأن يكون الإطار خال من عيوب الصناعة خلال العمر الافتراضي للمنتج. تشتمل عيوب الصناعة ولا تقتصر على كسر وصلات اللحم وتلف الإطار الأنبوبى. يشمل الضمان القماش أو المواد اللينة الجانبية وكل المكونات الأخرى لمدة عام من تاريخ الشراء (باستثناء الأنابيب والإطارات). يطلب دليل الشراء لعمل إجراءات المطالبة بالضمان ويتم تمديده فقط إلى المشتري الأصلي.

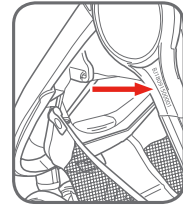
لا يغطي الضمان ما يلي:

- البلى العادي الناجم عن الاستعمال
- التآكل أو الصدأ
- التركيب غير الصحيح، أو تركيب قطع غيار من طرف ثالث أو الملحقات غير المتوافق مع التصميم الأصلي
- الأضرار العرضية أو المتعمدة، سوء الاستعمال أو الإهمال، أو استخدام المنتج على الدرج أو السلالم المتحركة.
- الاستخدام التجاري
- إجراءات التخزين/العناية غير اللائقة.

ويستثنى هذا الضمان على وجه التحديد المطالبات بالتعويض عن الأضرار غير المباشرة أو العرضية أو التبعية. الضمانات الضمنية للرواج وصلاحية الأغراض الخاصة وفقاً لفترة الضمان المحددة لهذه الوحدة النموذجية وقت الشراء. بعض الولايات لا تسمح باستثناء أو تحديد الأضرار العرضية أو اللاحقة، لذا فإنه ربما لا تنطبق عليك القيود أو الاستثناءات المذكورة أعلاه. يمنحك هذا الضمان حقوقاً قانونية محددة، وقد يكون لك أيضاً حقوقاً أخرى قد تختلف من ولاية لأخرى. راجع مكتب شؤون المستهلك المحلي أو الدولي الخاص بك أو المسؤول القانوني في الولاية الخاصة بك لمعرفة حقوقك القانونية.

يرجى الاتصال بأقرب موزع في بلدك إذا تم شراء عربة الأطفال الخاصة بك من خارج الولايات المتحدة الأمريكية. يمكن الإطلاع على معلومات الاتصال الخاصة بهم على موقعنا التالي <http://www.babyjogger.com/retailers/#international>. قد تكلفك مطالبات الضمان خارج البلد التي تم شراء المنتج منها رسوم الشحن.

يرجى إعداد الرقم التسلسلي الخاص بعربة الأطفال الخاصة بك، عند الاتصال بموزع بيبي غوجر "Baby Jogger". يمكن العثور على الرقم التسلسلي أسفل المحور الموجود خارج الساق الخلفية.











Imported for Baby Jogger in Europe by:

KoolTrade Ltd • Unit 3, Orbital Way  
Denton, Manchester • United Kingdom M34 3QA

Bichos Atrevidos • Calle de Isabel II, 26. • 28660 Boadilla del Monte Madrid, Spain  
Tel. (+34) 91 485 5550

Kidscom SA • 71 Myllerou street. 10436 Athens • Greece

Eleven SRL • Viale della navigazione interna 87/A  
35027 Noventa Padovana • PD • Italy

Pro Support AB • Modemgatan 3 235 39 Vellinge • Sweden

Euro-Trade Spółka z ograniczoną odpowiedzialnością, Sp. K  
ul. Łokietka 155 • 31-263 Kraków • Poland

Euro-Trade Office, School & Baby Corporation  
Čs. armády 360 • 735 51 Bohumín-Pudlov • Czech Republic

Euro-Trade Office, School & Baby Corporation  
Dolné Rudiny 8363/5 • 010 01 Žilina • Slovakia

Naslednik Ltd • Ochakovskoe Shosse 36, UTEC business complex Moscow •  
Russia

MAPYR FCZO. Dubai Silicon Oasis Free Zone • Light Industrial Units  
LIU 5 - Office B4 • PO Box 450201 - Dubai • UAE

Bambino International (Pty) Ltd • 562 Umbilo Road • Congella, Durban • South  
Africa

Newell Europe Sarl • 10 Chemin de Blandonnet CH 1214 Vernier • Switzerland

Newell Poland services Sp. Z.o.o • Plac Andersa 7, 61-894 Poznan • Poland



Baby Jogger, LLC

6655 Peachtree Dunwoody Rd. NE • Atlanta, GA 30328

1.800.241.1848 • [www.babyjogger.com](http://www.babyjogger.com)